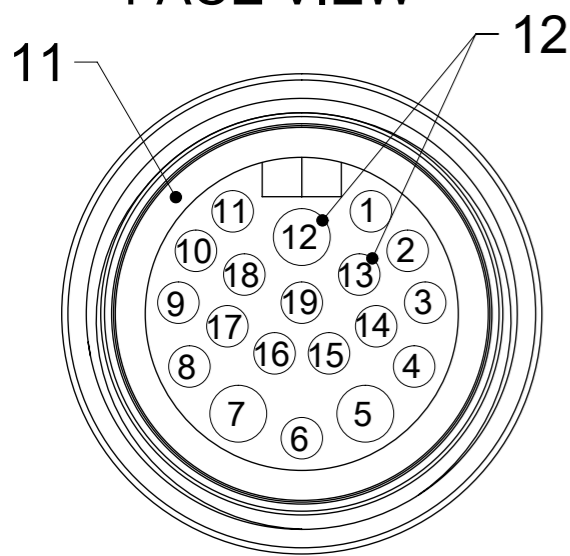


TABLE 1

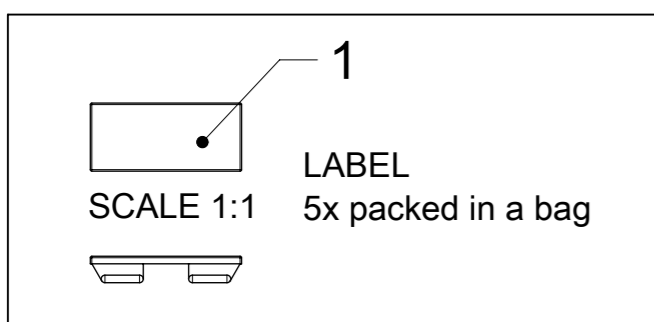
MOLEX P/N	ENG. NO.	CABLE LENGTH (mm)	LED
1202510109	BKB4120-FBW-003	300	NO
1202510110	BKB4120-FBW-01	1000	NO
1202510111	BKB4120-FBW-05	5000	NO
1202510112	BKB4120-FBW-10	10000	NO
1202510113	BKB412N-FBW-003	300	YES
1202510114	BKB412N-FBW-05	5000	YES

19 POLE MALE  
FACE VIEW



PIN	COLOR
3	GREY
4	RED/BLUE
5	BLUE
6	GREEN
7	BROWN
8	WHITE/GREEN
12	YELLOW/GREEN
14	BROWN/GREEN
15	WHITE
16	YELLOW
19	GREY/PINK

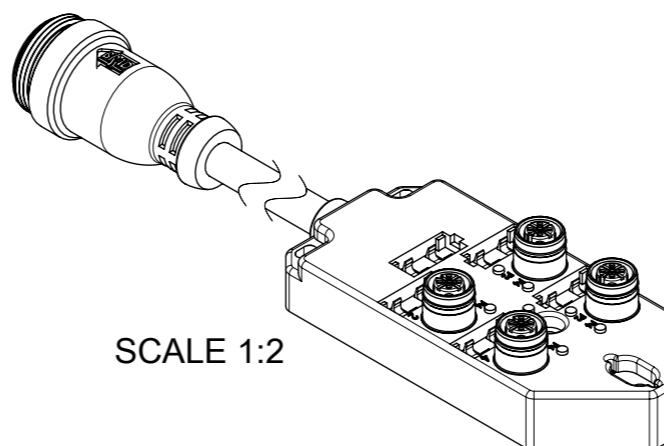
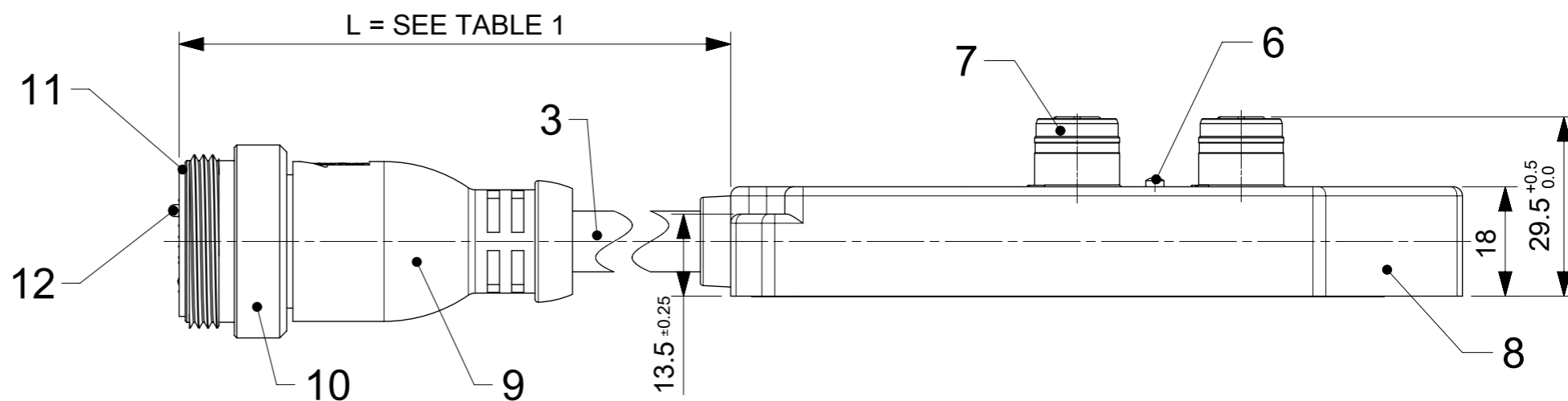
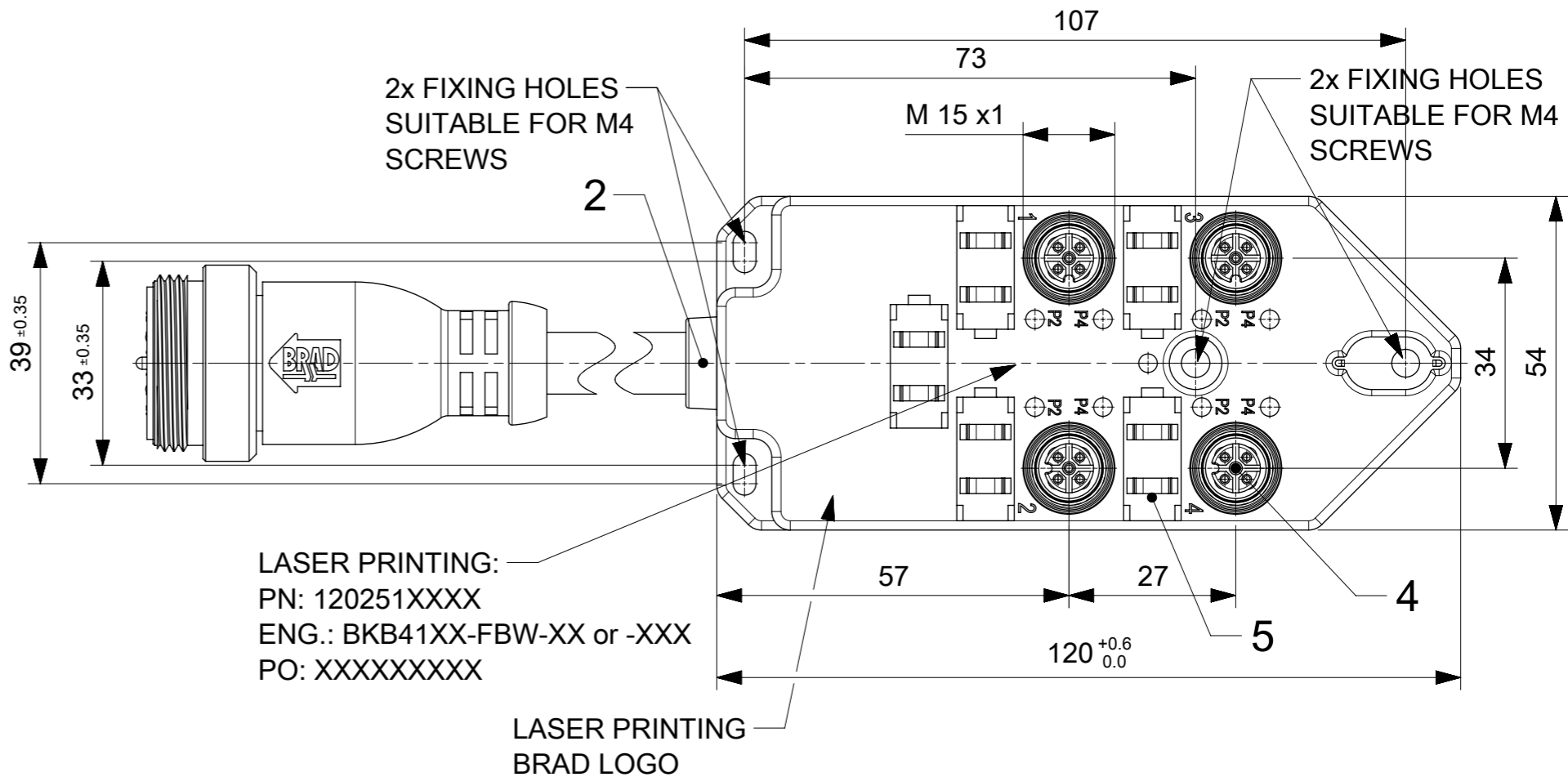
SCALE 2:1



GENERAL CHARACTERISTICS:

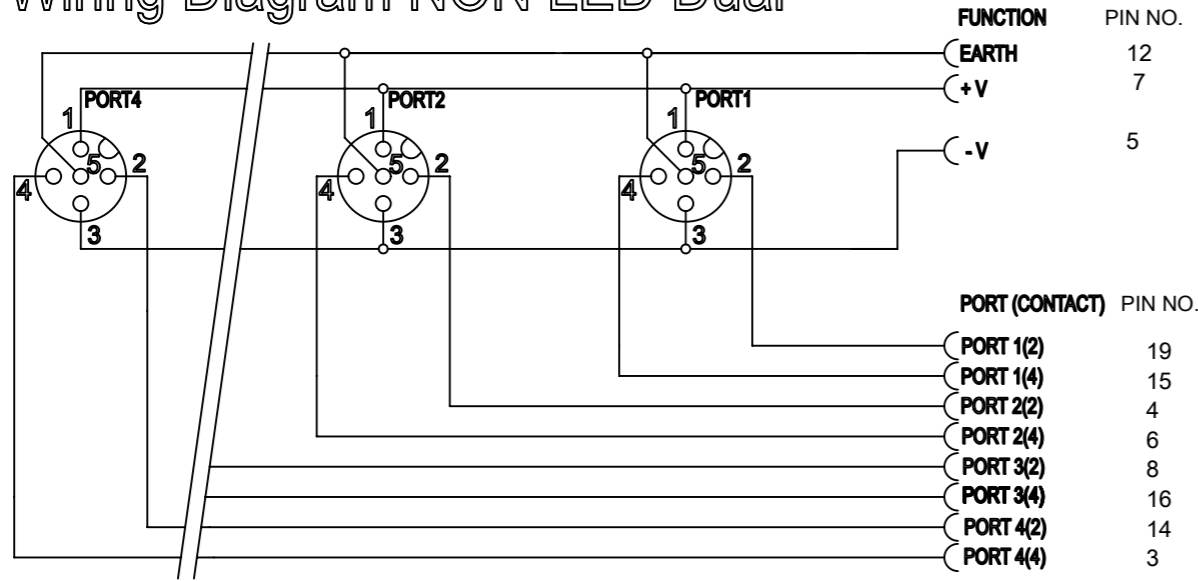
ELECTRICAL AND MECHANICAL DATA ACC. TO IEC 61076-2-101

NOMINAL VOLTAGE: 10-30 V DC  
 AMPERE RATING: 4 A PER PORT / 12 A MAX  
 AMPERE RATING WITH UL REGISTRATION: 3 A PER PORT / 9 A MAX  
 IP DEGREE OF PROTECTION: IP 67  
 TEMPERATURE RANGE: -25°C to + 85°C

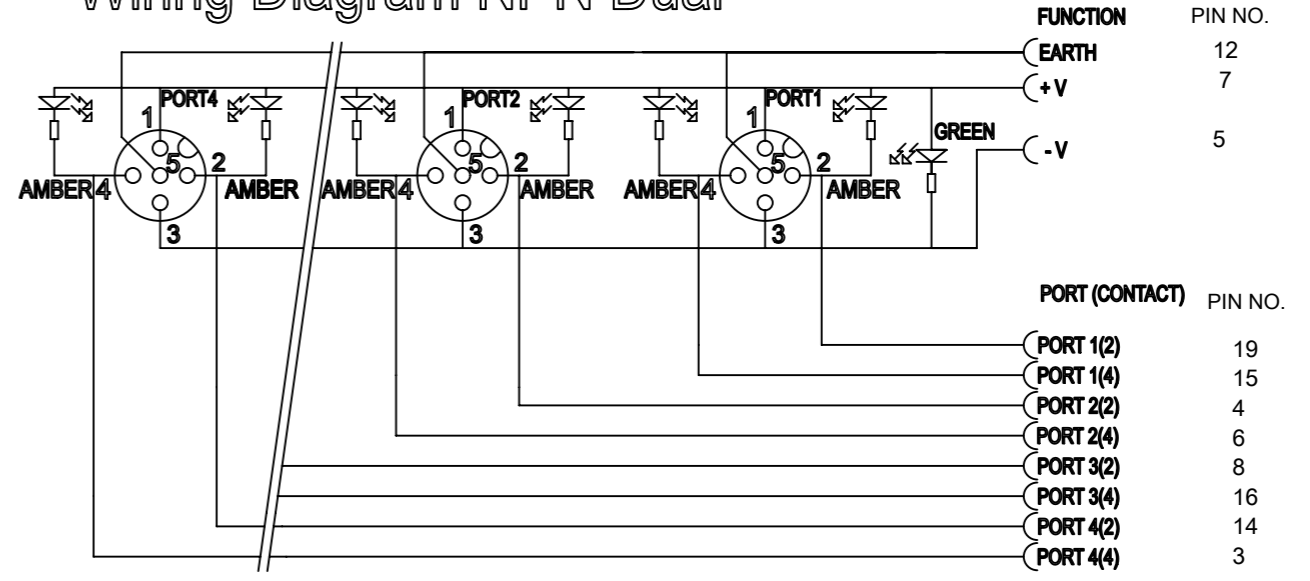


FUNCTIONAL SYMBOLS	THIS DRAWING CONTAINS INFORMATION THAT IS PROPRIETARY TO MOLEX ELECTRONIC TECHNOLOGIES, LLC AND SHOULD NOT BE USED WITHOUT WRITTEN PERMISSION		CURRENT REV DESC: BOM UPDATED	
	△A = 0	mm	SCALE	1:1
DIVISIONAL SYMBOLS	GENERAL TOLERANCES (UNLESS SPECIFIED)		EC NO: 695129	
	△E = 0	ANGULAR TOL ± 1.0°	DRWN: RSCHIEBER	2022/02/07
FUNCTIONAL SYMBOLS	4 PLACES ±	DRAFT WHERE APPLICABLE MUST REMAIN WITHIN DIMENSIONS	CHK'D: RSILLER	2022/02/09
	3 PLACES ±		APPR: RSILLER	2022/02/09
	2 PLACES ± 0.05		INITIAL REVISION:	
	1 PLACE ± 0.3		DRWN: SSM	2019/01/14
	0 PLACES ± 0.5		APPR: RSILLER	2020/01/17
THIRD ANGLE PROJECTION		DRAWING	SERIES	MATERIAL NUMBER
A3-SIZE		120251	SEE TABLE 1	GENERAL MARKET
DOCUMENT NUMBER		DOC TYPE	DOC PART	REVISION
1202510109		PSD	000	A2
SHEET NUMBER		1 OF 2		

# Wiring Diagram NON LED Dual



# Wiring Diagram NPN Dual



## BILL OF MATERIAL

ITEM	DESCRIPTION	MATERIAL	FINISH
1	LABEL	ABS	WHITE
2	CABLE PLATE	PBT	BLACK
3	CABLE	TPU BASED	BLACK
4	CONTACT	BRASS	GOLD OVER NICKEL
5	O-RING	FPM	RED
6	LED	NO LED = PA	BLACK
		WITH LED = PA	TRANSPARENT
7	SHELL	BRASS	NICKEL PLATED
8	HOUSING	PBT	BLACK
9	OVERMOLDING	PVC	YELLOW
10	COUPLING NUT	ZINC DIE CAST	BLACK
11	INSERT	TPE	YELLOW
12	CONTACT	BRASS	GOLD OVER NICKEL

## CABLE LENGTH TOLERANCES

LENGTH [m]	TOLERANCE [mm]
0-1	+40
>1-5	+60
>5-10	+80
>10-20	+140
>20-30	+160
>30	+1% length

<b>FUNCTIONAL SYMBOLS</b> $\nabla/A = 0$ $\nabla/E = 0$ $\nabla/Z = 0$	THIS DRAWING CONTAINS INFORMATION THAT IS PROPRIETARY TO MOLEX ELECTRONIC TECHNOLOGIES, LLC AND SHOULD NOT BE USED WITHOUT WRITTEN PERMISSION DIMENSION UNITS: <b>mm</b> SCALE: <b>1:1</b> GENERAL TOLERANCES (UNLESS SPECIFIED) ANGULAR TOL $\pm 1.0^\circ$ 4 PLACES $\pm$ 3 PLACES $\pm$ 2 PLACES $\pm 0.05$ 1 PLACE $\pm 0.3$ 0 PLACES $\pm 0.5$ DRAFT WHERE APPLICABLE MUST REMAIN WITHIN DIMENSIONS	CURRENT REV DESC: BOM UPDATED EC NO: 695129 DRWN: RSCHIEBER CHK'D: RSILLER APPR: RSILLER INITIAL REVISION: DRWN: SSM APPR: RSILLER	2022/02/07 2022/02/09 2022/02/09 2019/01/14 2020/01/17	 MPIS U12 NOS 5P 4PT 0.3M MC 19P BK PRODUCT CUSTOMER DRAWING	DOCUMENT NUMBER: <b>1202510109</b> DOC TYPE: PSD DOC PART: 000 REVISION: <b>A2</b>
	THIRD ANGLE PROJECTION 	DRAWING: <b>A3-SIZE</b> SERIES: <b>120251</b> MATERIAL NUMBER: SEE TABLE 1 CUSTOMER: GENERAL MARKET SHEET NUMBER: 2 OF 2			