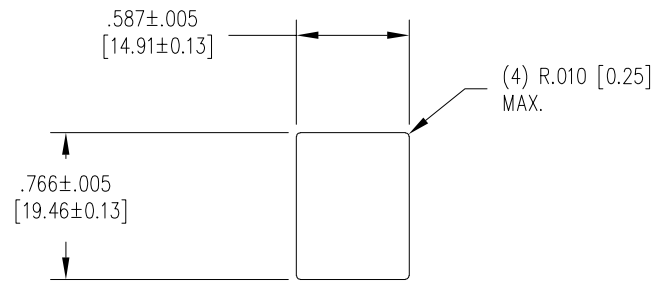
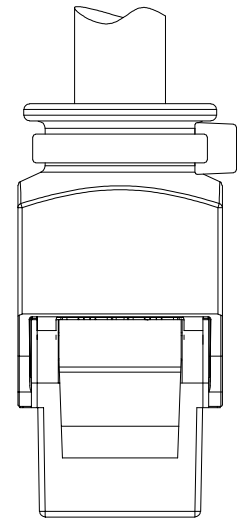
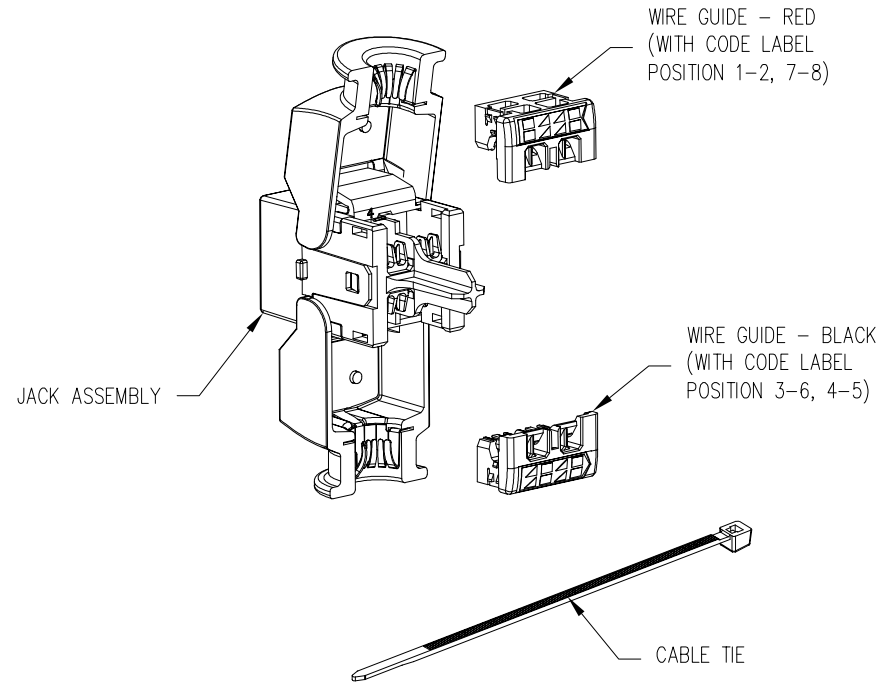


| DATE    | REV | ECN   | APP'D. BY |
|---------|-----|-------|-----------|
| 7-21-16 | A0  | -     | DHG       |
| 2-20-20 | A1  | 11509 | ADB       |
|         |     |       |           |
|         |     |       |           |



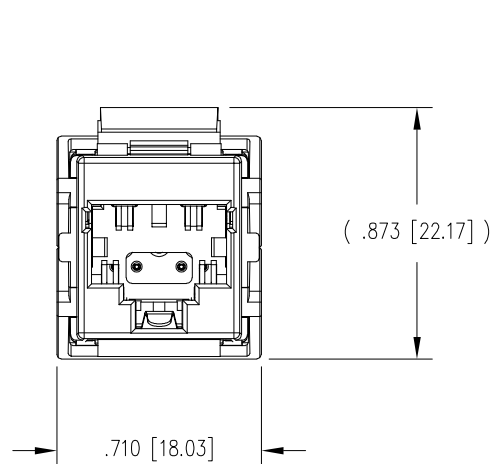
RECOMMENDED PANEL OPENING  
 .060 [1.54] MAXIMUM PANEL THICKNESS  
 (PER IEC 60603-7)



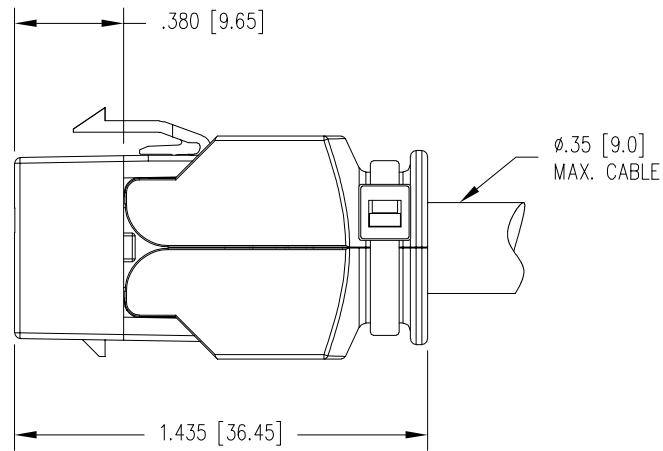
CONNECTOR KIT COMPONENTS

NOTES:

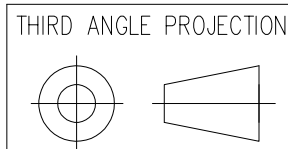
- CONNECTOR MATERIALS:  
 HOUSINGS AND BACK SHELLS: ZINC  
 CONTACT HOLDERS & WIRE GUIDES: THERMOPLASTIC UL94 V-0  
 PRINTED WIRING BOARD: GLASS FILLED EPOXY  
 CONTACTS/GROUND SPRING: COPPER ALLOY  
 HOUSING/GROUND SPRING PLATING: NICKEL  
 IDC CONTACT PLATING: TIN  
 JACK CONTACT PLATING: SELECTIVE GOLD IN CONTACT AREA  
 SEE CHART FOR PART NUMBER
- DESIGNED FOR CATEGORY 7A AND 8.2 PERFORMANCE, INCLUDING 10, 25, 40, AND 50 GIGABIT ETHERNET APPLICATIONS. TRANSMISSION SPEEDS UP TO 3000 MEGAHERTZ.
- DIMENSIONS AND TOLERANCES COMPLY WITH IEC 61076-3-110.
- WIRE RANGE 22 TO 23 AWG [ 0.64 - 0.57 ] PIMF CABLE, WITH SOLID CONDUCTORS ONLY AND MAXIMUM INSULATION Ø.065 [1.65].
- FOR PRODUCT SPECIFICATION SEE PR034-01.
- REFER TO DOCUMENT MN770002 FOR TERMINATION INSTRUCTIONS.



CONNECTOR ASSEMBLED ON CABLE



|                                   |              |
|-----------------------------------|--------------|
| 50 MICRO-INCHES [1.27um]          | SS-77100-015 |
| CONTACT PLATING<br>IN MATING AREA | PART NUMBER  |



1118 Susquehanna Trail South  
 Glen Rock, PA 17327-9199  
 (717) 235-7512  
<http://www.stewartconnector.com>

DO NOT SCALE DRAWING  
 DRAWING IS SUBJECT TO  
 CHANGE WITHOUT NOTICE

DIMENSIONS: INCHES [METRIC]  
 UNLESS OTHERWISE SPECIFIED  
 TOLERANCES ARE ±.005 [0.13]  
 ANGLES ARE ± 1°

SHEET NO. 1 OF 1

TITLE: IEC 61076-3-110 INTERFACE  
 ARJ45 CABLE JACK

THIS DRAWING AND THE SUBJECT MATTER SHOWN THEREON ARE CONFIDENTIAL AND THE PROPRIETARY PROPERTY OF STEWART CONNECTOR AND SHALL NOT BE REPRODUCED, COPIED, OR USED IN ANY MANNER WITHOUT PRIOR WRITTEN CONSENT OF STEWART CONNECTOR. ONE OR MORE U.S. PATENTS MAY APPLY TO THIS PRODUCT. FOR DETAILS, PLEASE VISIT: [HTTP://BELFUSE.COM/STEWART/STEWART\\_PATENTS/](http://BELFUSE.COM/STEWART/STEWART_PATENTS/)

|                  |                |
|------------------|----------------|
| DRN BY: DHG      | DATE: 10-16-15 |
| APPD BY: YB      | DATE: 10-21-15 |
| DWG NO. CT770011 | REV. A1        |

