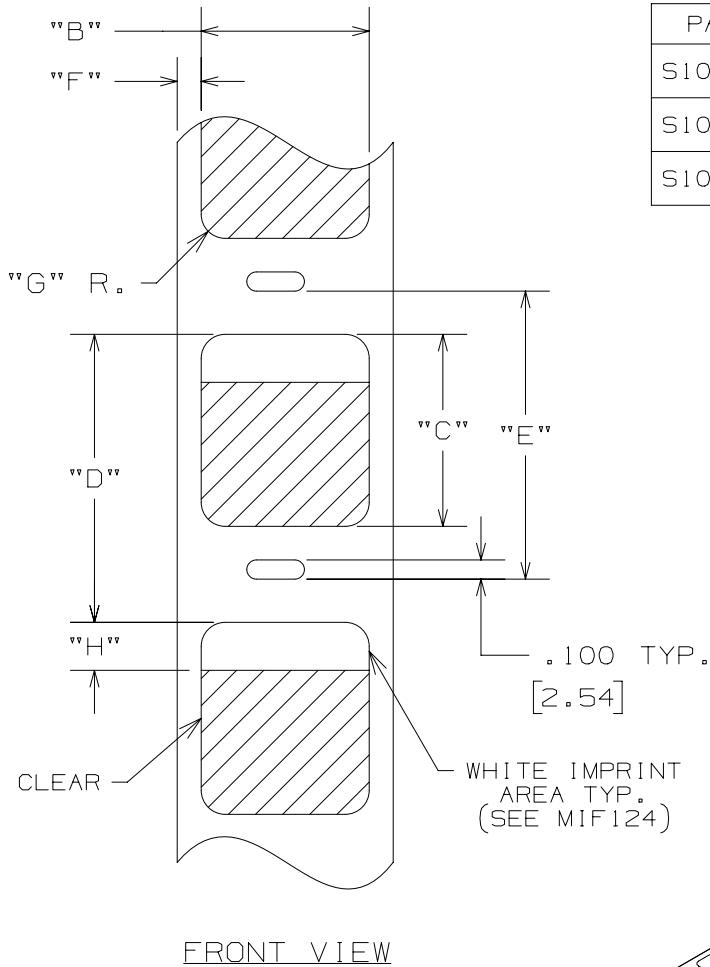


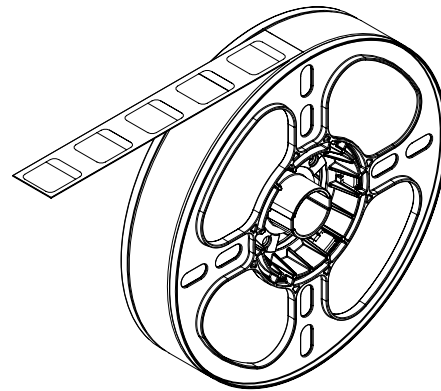
THIS COPY IS PROVIDED ON A RESTRICTED BASIS AND IS NOT TO BE USED IN ANY WAY DETRIMENTAL TO THE INTERESTS OF PANDUIT CORP.

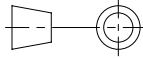


PART NO.	"B"	"C"	"D"	"E"	"F"	"G"	"H"	LABELS/ROLL	MAX ROLL DIAMETER
S100X125VAA	1.00 [25.4]	1.25 [31.8]	1.34 [34.0]	1.50 [38.1]			0.38 [9.7]	4000	
S100X150VAA	1.00 [25.4]	1.50 [38.1]	1.59 [40.4]	1.75 [44.5]	0.06 [1.6]	0.06 [1.6]	0.50 [12.7]	3500	8.0 [203.2]
S100X225VAA	1.00 [25.4]	2.250 [57.2]	2.34 [59.4]	2.50 [63.5]			0.75 [19.1]	2500	

NOTES:

- VISIT OUR ON-LINE CATALOG AT WWW.PANDUIT.COM FOR A LIST OF CURRENT PARTS APPLICABLE FOR USE WITH THIS PRODUCT.
- DIMENSIONS IN [] ARE METRIC.
- ALL MATERIALS AND COMPONENTS USED MEET THE MATERIAL RESTRICTIONS OF RoHS (EUROPEAN DIRECTIVE 2011/65/EU ON THE RESTRICTION OF HAZARDOUS SUBSTANCES) AS PROPOSED BY THE RoHS TECHNICAL ADAPTATION COMMITTEE.
- WEIGHT: APPROX. 2 LBS [907.2 G]
- PART INCLUDES: PLA-SP MEDIA SPOOL AND ROLL OF ONE PART NUMBER IN TABLE.
- TOLERANCES: X.X: 0.10"
X.XX: 0.010"
X.XXX: 0.005"



PART NUMBER		S***X***VAA	
TITLE		PLA-100 SELF LAMINATING LABELS	
		CUSTOMER DRAWING	
ITEM REVISION NAME		00091SHA/02	
DATASET FILE NAME		00091SHA_DC/02A	
		THIRD ANGLE PROJECTION	
MATERIAL		GMV17	
		DRAWING NUMBER	
		00091SHA-DC	
REV	DATE	BY	CHK
02	10/29/20	MROB	ARHA
		RCMC	NTS
DESCRIPTION		SCALE	SIZE
INITIAL RELEASE		NTS	A
ECN		SHEET 1 OF 1	

A-SIZE CUSTOMER