

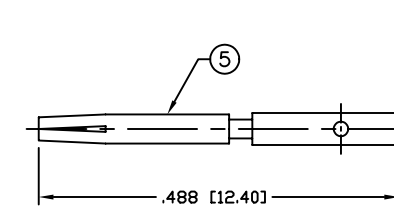
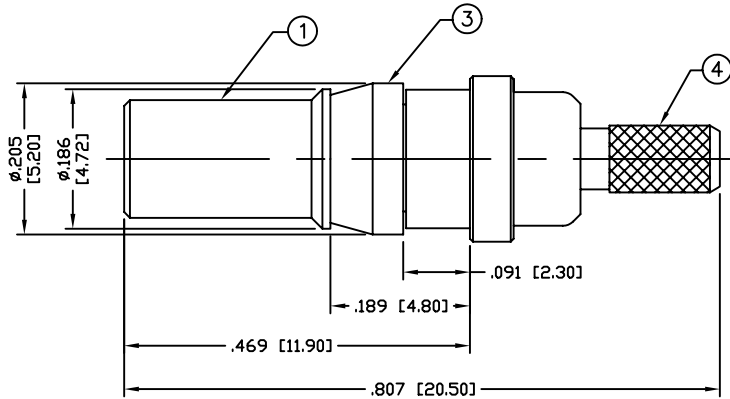
THIS DRAWING CONTAINS INFORMATION PROPRIETARY TO RF INDUSTRIES.
 ANY UNAUTHORIZED USE OF THIS DRAWING IS EXPRESSLY PROHIBITED
 WITHOUT WRITTEN PERMISSION FROM RF INDUSTRIES.
 ANY VIOLATION IS PUNISHABLE UNDER U.S. COPYRIGHT LAWS.

ALL DIMENSIONS ARE REFERENCE ONLY

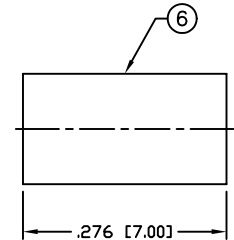
PART NO.

RF123-7050-1B

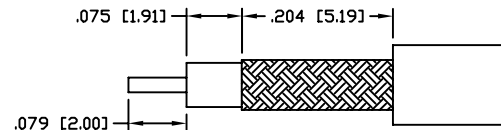
REV	DESCRIPTION	DWN	DATE	APPROVED
-	ENGINEERING RELEASE	CZS	3/11/99	JDMc
A	ADD CRIMP DIE INFORMATION	CZS	07/02/07	JDMc



RECOMMENDED SOLDER
 IF CRIMPING, USE RFA-4089 CRIMP TOOL



RECOMMENDED CRIMP DIE: .130"



RECOMMENDED STRIPPING DIMENSIONS

SPECIFICATIONS:

IMPEDANCE: 50 Ohms
 FREQUENCY RANGE: 0-10 GHz
 WORKING VOLTAGE: 250 V rms @ sea level
 TEMPERATURE RANGE: -65°C TO 155°C
 INSULATION RESISTANCE: 5k M Ohms min.
 FOR RG-174, 188, 188A, 316/U, ALPHA 9174, 9316,
 BELDEN 8216, 83269, 83284, 84316 & TIMES LMR-100A CABLE

1	BODY	1	BRASS	GOLD, 3 μ ^m	008974	DRAWN C. ZUNIGA 07/02/07
2	INSULATOR	1	PTFE	---		
3	RETAINING RING	1	BRASS	NICKEL, 100 μ ^m		
4	FERRULE STUD	1	BRASS	NICKEL, 100 μ ^m		
5	CONTACT	1	Be. Cu.	GOLD, 30 μ ^m		
6	FERRULE	1	COPPER	NICKEL, 100 μ ^m		
7						
8						
9						
10						
11						CHECKED
12						
13						ORJ DRAWN
14						C. ZUNIGA 9/26/02
#	DESCRIPTION	QTY	MATERIAL	FINISH	APPROVALS	DATE

UNLESS OTHERWISE SPECIFIED:

1. REMOVE ALL BURRS
2. BREAK ALL CORNERS & EDGES .005 R. MAX.
3. CHAMFER 1ST & LAST THREADS 45°
4. SURFACE ROUGHNESS 63 FINISH MIL-STD-10
5. DIAMETERS ON COMMON CENTERS TO BE CONCENTRIC WITHIN .002 T.I.R.
6. ALL DIMENSIONS ARE AFTER PLATING.

DIMENSIONS ARE IN INCHES
 AND [MILLIMETERS]

UNLESS OTHERWISE NOTED
 TOLERANCES ARE:

DECIMALS	DIAMETER
.XXX±.003 [.08]	.XXX±.001 [.03]
.XX±.005 [.13]	.XX±.003 [.08]

RFconnectors
 DIVISION OF RF INDUSTRIES, LTD.

7610 MIRAMAR RD
 SAN DIEGO, CA 92126
 (858) 549-6340
 (858) 549-6345 FAX

1.0/2.3 JACK, CRIMP

SIZE	CABLE GROUP	DWG NO.	REV
A	B	RF123-7050-1B	A
SCALE: NTS		CAD FILE OUTLINE	SHEET 1 OF 1