

6

5

4

3

2

1

APPROVED: _____

DATE: _____ TITLE: _____

Rev	AWO #	Description	Date	Appr
-		RELEASED	10/7/22	

D

D

C

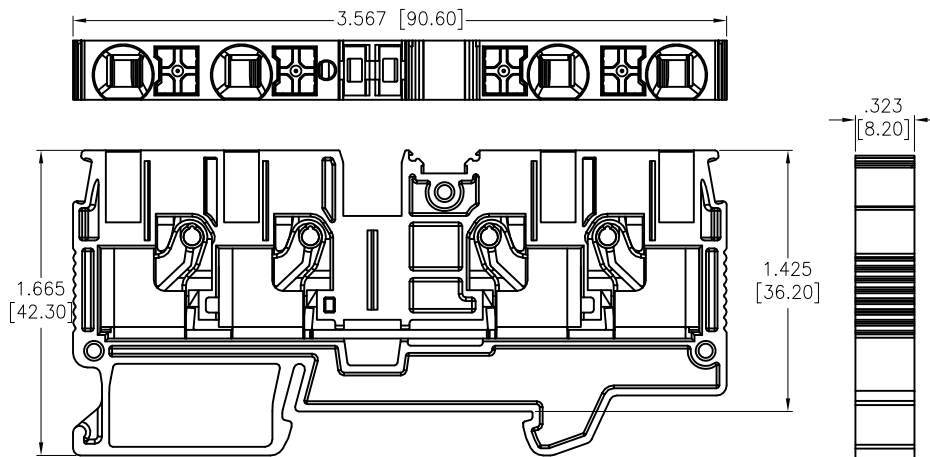
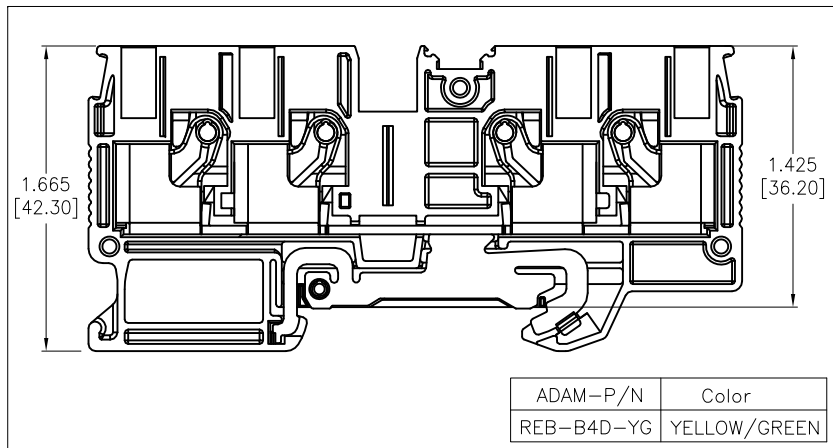
C

B

B

A

A

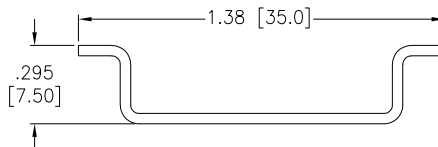


SPECIFICATIONS:

Material:
 Insulator: PA66, rated UL 94V-0
 Insulator Color: See Chart
 Contacts: Copper Alloy, Tin Plated
 Electrical:
 Voltage rating: 600 VAC
 Current rating: 40 Amp
 Dielectric withstanding voltage: 2200 VAC for 1 minute
 Mechanical:
 Wire range : 20-8 #AWG
 Flexible: 0.5-6
 Stripping Length: 10-12
 Temperature Rating:
 Operating temperature: -40°C to +105°C
 Environmental:
 Lead free, RoHS compliant.



RECOMMENDED RAIL SIZE
35.0mm X 7.5mm



ADAM-P/N	Color
REB-B4D-OR	ORANGE
REB-B4D-BU	BLUE
REB-B4D-GY	GRAY
REB-B4D-YG	YELLOW/GREEN

UNLESS OTHERWISE SPECIFIED ALL DIMENSIONS ARE INCHES [MM]. TOLERANCES: EXCEPT AS NOTED

INCHES		HOLES	
.x	± .10	∅x	± .10
.xx	± .020	∅xx	± .015
.xxx	± .015	∅xxx	± .010



909 Rahway Avenue,
 Union, NJ 07083
 Phone: 908-687-5000
 Fax: 908-687-5710

DRAWN	JJ	10/7/22
CHECKED	RC	10/7/22
APPROVED		

TITLE DIN RAIL TERMINAL BLOCKS, GUV 4 HOLE, 6.0 FLEXIBLE		
SIZE X	PART NO. REB-B4D-XX	REV. -
REF: S00067C	SCALE: NTS	SHEET 1 OF 1

6

5

4

3

2

1