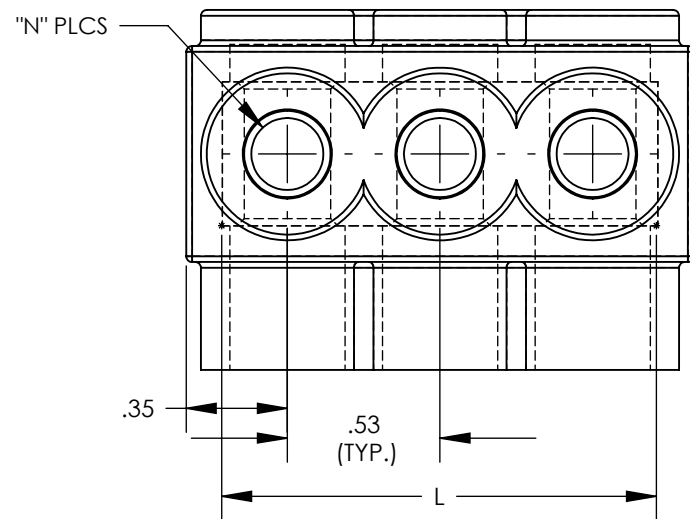
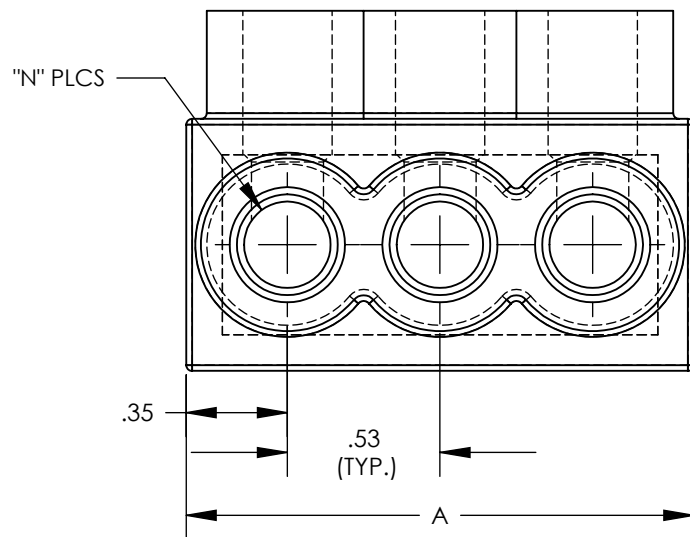


THIS COPY IS PROVIDED ON A RESTRICTED BASIS AND IS NOT TO BE USED IN ANY WAY DETRIMENTAL TO THE INTERESTS OF PANDUIT CORP.

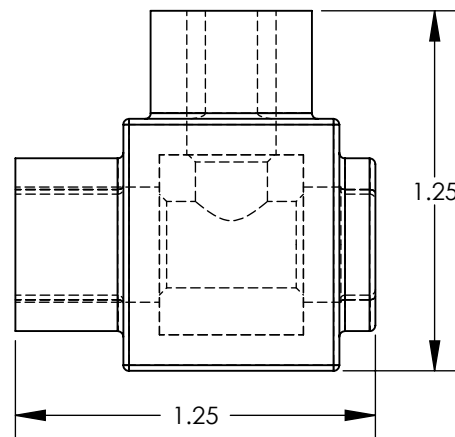
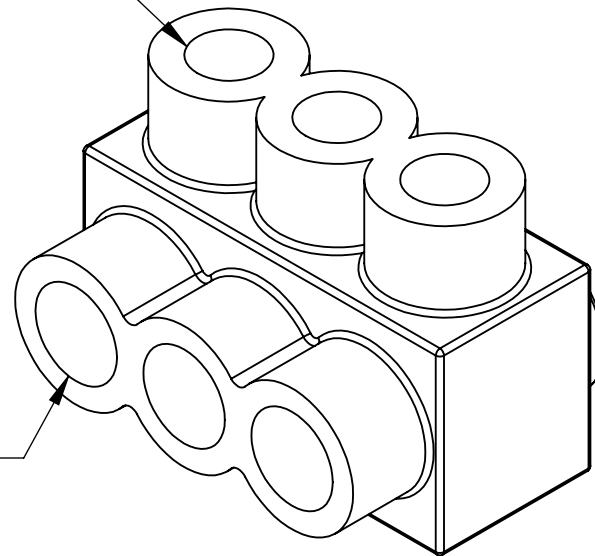


THREE PORT CONNECTOR BLOCK SHOWN WITH PLASTIC CLOSURE PLUGS REMOVED. SEE TABLE FOR DIMENSIONS OF PARTS WITH ADDITIONAL PORTS



CLAMPLING SCREW ACCESS PORT (TYP.)

CONDUCTOR PORT (TYP.)



PANDUIT FINISHED GOODS PIN	CONDUCTOR RANGE	HEX KEY	SCREW QTY.	CAP (SCREW PORT) QTY.	CAP (WIRE PORT) QTY.	A	L	N	TIGHTENING TORQUE
PCSB350-2S-4Y	350 kcmil - # 10 STR	5/16	2	2	2	2.17	1.920	2	2.75 in/lb
PCSB350-3S-4Y		5/16	3	3	3	3.17	2.920	3	
PCSB350-4S-3Y		5/16	4	4	4	4.17	3.920	4	
PCSB350-5S-3Y		5/16	5	5	5	5.17	4.920	5	
PCSB350-6S-2Y		5/16	6	6	6	6.17	5.920	6	
PCSB350-8S-2Y		5/16	8	8	8	8.17	7.920	8	
PCSB350-10S-2Y		5/16	10	10	20	10.17	9.920	10	
PCSB350-12S-1Y		5/16	12	12	24	12.17	11.920	12	
PCSB350-14S-1Y		5/16	14	14	28	14.17	13.920	14	



NOTES:

- UL486A-UL486B LISTED, DUAL RATED CU9AL FOR ALUMINUM OR COPPER CONDUCTORS. MEETS OR EXCEEDS ANSI C119.4
- SEE TABLE FOR WIRE RANGE.
- STRIP LENGTH: 1.06 +.06/-0
- FOR TIGHTENING TORQUE SEE TABLE
- VOLTAGE RATING: 600 V. MAX. BUILDING WIRE, 1000 V. MAX. IN SIGNS & FIXTURES.
- TEMPERATURE RATING: 90 °C (CU9AL).
- CONNECTOR BLOCK BODY ARE MADE FROM ALUMINUM. CONDUCTOR PORTS IN CONNECTOR BLOCK ARE PREFILLED WITH AN OXIDE-INHIBITING COMPOUND.
- CONNECTOR TO INCLUDE TIN PLATED ALUMINUM CLAMPLING SCREWS FOR EACH CONDUCTOR PORT.
- INSULATION MATERIAL IS CLEAR PVC.
- CLAMPLING SCREW ACCESS PORTS AND ALL WIRE ENTRY PORTS ARE PROVIDED WITH REMOVABLE PLASTIC CLOSURE PLUGS.
- ALL DIMENSIONS SHOWN ARE NOMINAL.
- ONLY ONE CONDUCTOR PER PORT ALLOWED.
- PACKAGE QTY: -12 = 12 PCS.
-6 = 6 PCS.
-4 = 4 PCS.
-3 = 3 PCS.
-2 = 2 PCS.
- THIS PART IS RoHS COMPLIANT

REV	DATE	BY	CHK	APR	DESCRIPTION	ECN
05	2/13	JHNU	JHNU	RGB	REVISED TITLE BLOCK	N41527BB-C41527

TITLE
**MULTI-TAP INSULATED CONNECTORS
 PCSB350 SERIES SINGLE SIDED
 CUSTOMER DRAWING**

ITEM REVISION NAME: N41527BB-C41527/05

DATASET FILE NAME: C41527/05.SLDDRW

UNLESS OTHERWISE SPECIFIED, DIMENSIONAL TOLERANCES ARE: IN [mm]
 .X ± .XXX ±
 .XX ± .02 ANGLES ±

THIRD ANGLE PROJECTION

DRAWN BY: MS DATE: 8/99 CHK: RLS SCALE: NONE

MATERIAL: SEE NOTES

DRAWING NUMBER: C41527_05

SHEET 1 OF 1 SIZE: B