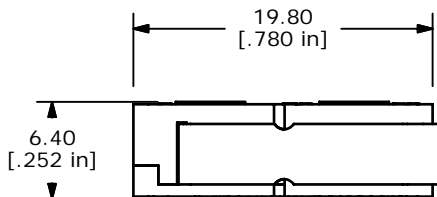
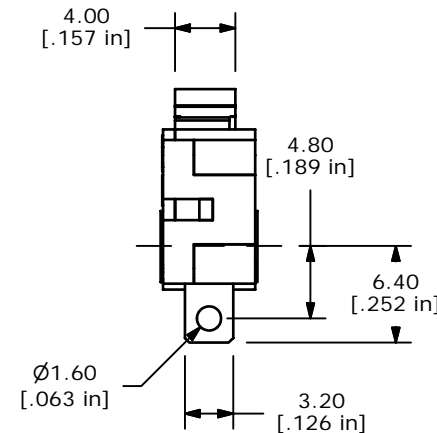
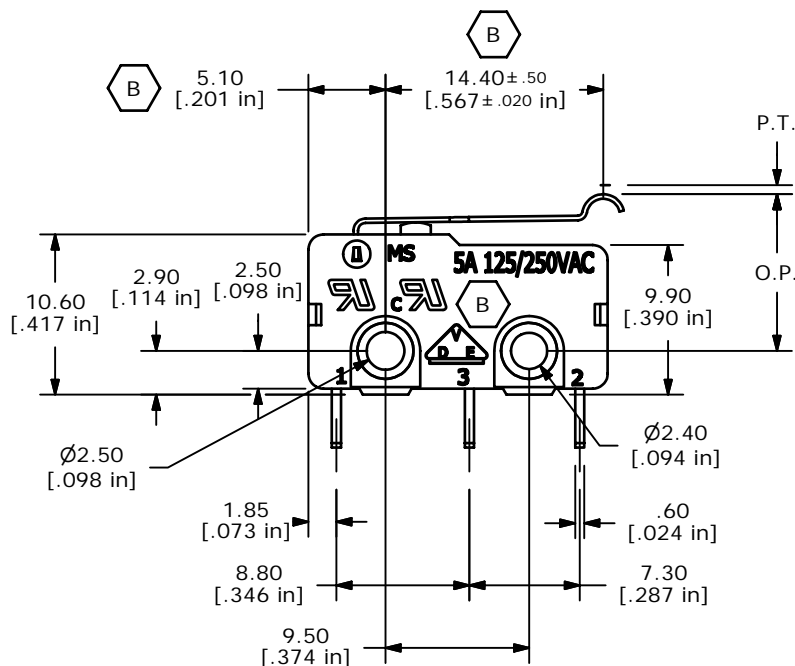
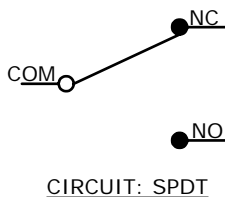


ISOMETRIC



O.P. (MM)	P.T. (MM)
10.9±1.0	3.2 MAX

O.P. = OPERATING POINT  
P.T. = PRE-TRAVEL



- NOTES:
1. ALL DIMENSIONS IN MM [INCH]
  2. GENERAL TOLERANCE: X.X=±0.4  
X.XX=±0.25
  3. RATING: 5A 2125/250VAC UL, CUL, VDE APPROVED
  - ▲4. OPERATING FORCE: 35±20 GRAMS
  5. OPERATING TEMP: -25°C TO 85°C
  6. ELECTRICAL LIFE: 50,000 CYCLES MIN.
  7. MECHANICAL LIFE: 1,000,000 CYCLES TYP.
  8. INSULATION RESISTANCE: 100 MEGA-OHMS
  9. DIELECTRIC STRENGTH: 1000VAC 1 MINUTE (INITIAL VALUE)
  10. CONTACT RESISTANCE: 100 MILLI-OHMS MAX.
  11. ▲ DENOTES CRITICAL PARAMETER.
  12. 2002/95/EC (ROHS) COMPLIANT



B	15662	CHANGES NOTED	1/5/06	PH
A	15113	RELEASED FOR PRODUCTION	7/26/05	BK
REV	PCR NO	DESCRIPTION	DATE	BY

TITLE MS0850504F035S1A				
SCALE	DATE	DR	DWG	REV
2:1	7/26/2005	BK	Q970026	B

THE INFORMATION CONTAINED IN THIS DOCUMENT IS PROPRIETARY TO E-SWITCH AND IS NOT TO BE COPIED OR TRANSFERRED