

# Customer Information Sheet

DRAWING No.: M83-LML3M7NXX-0000-000

IF IN DOUBT - ASK

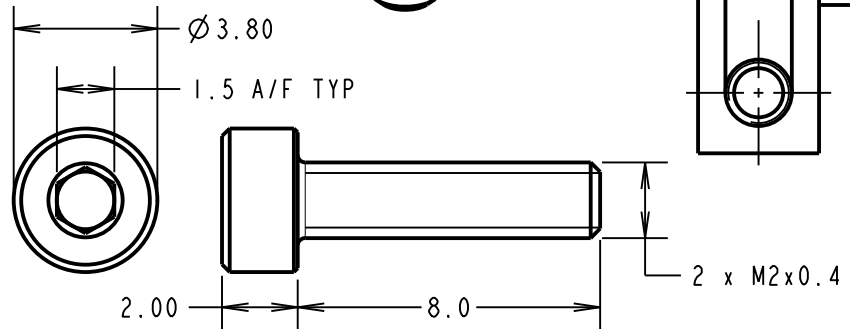
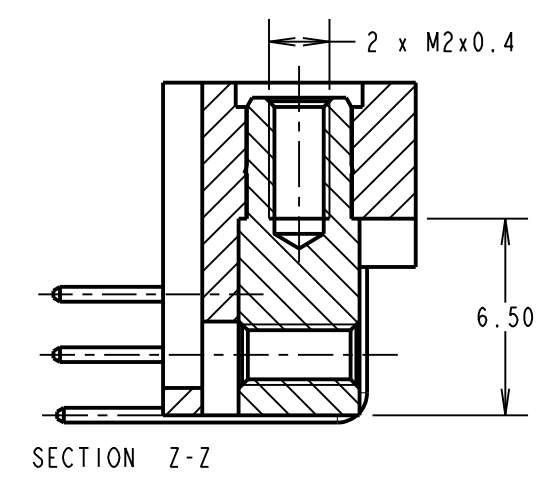
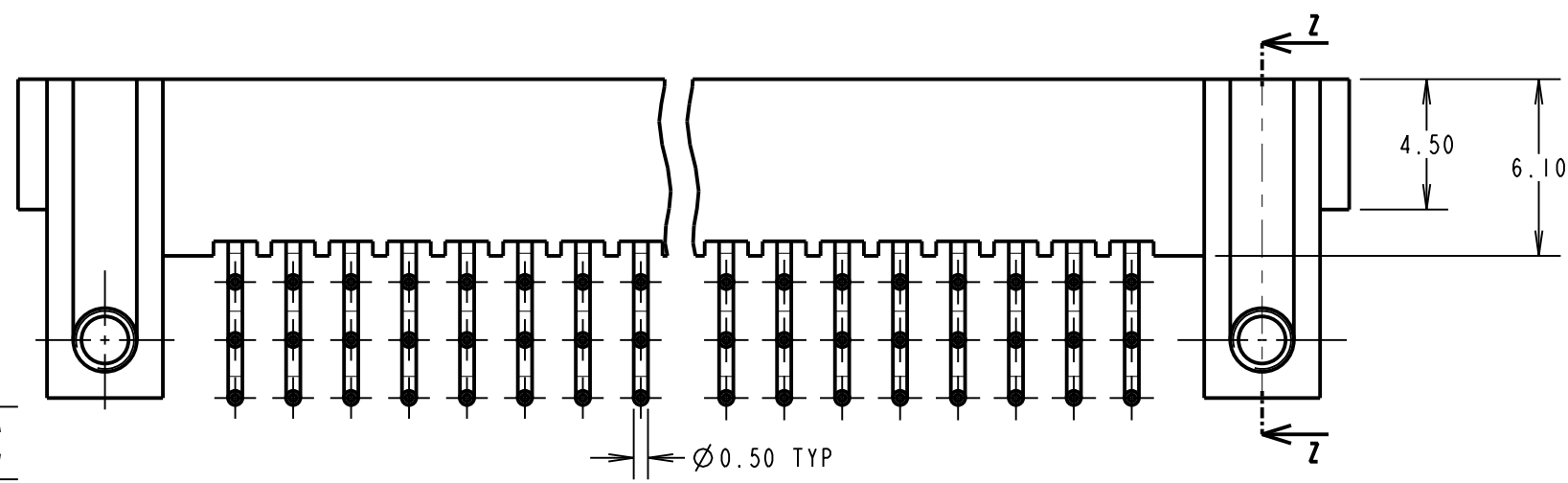
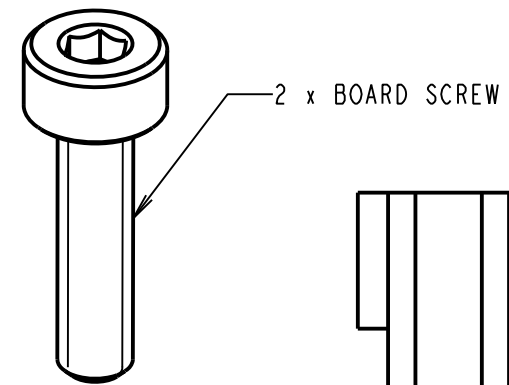
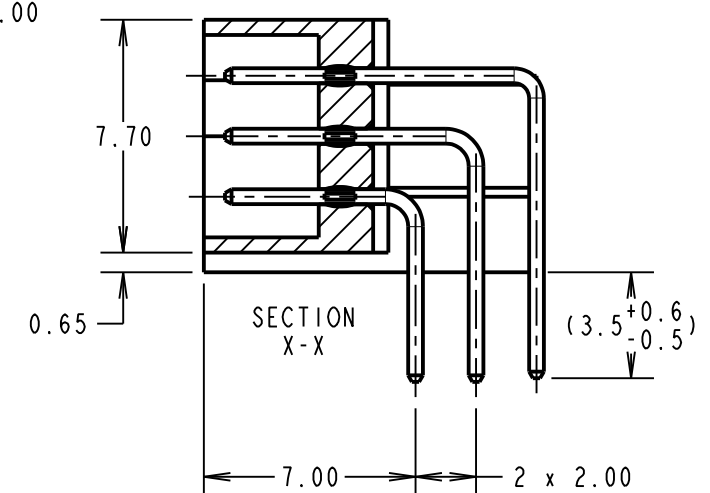
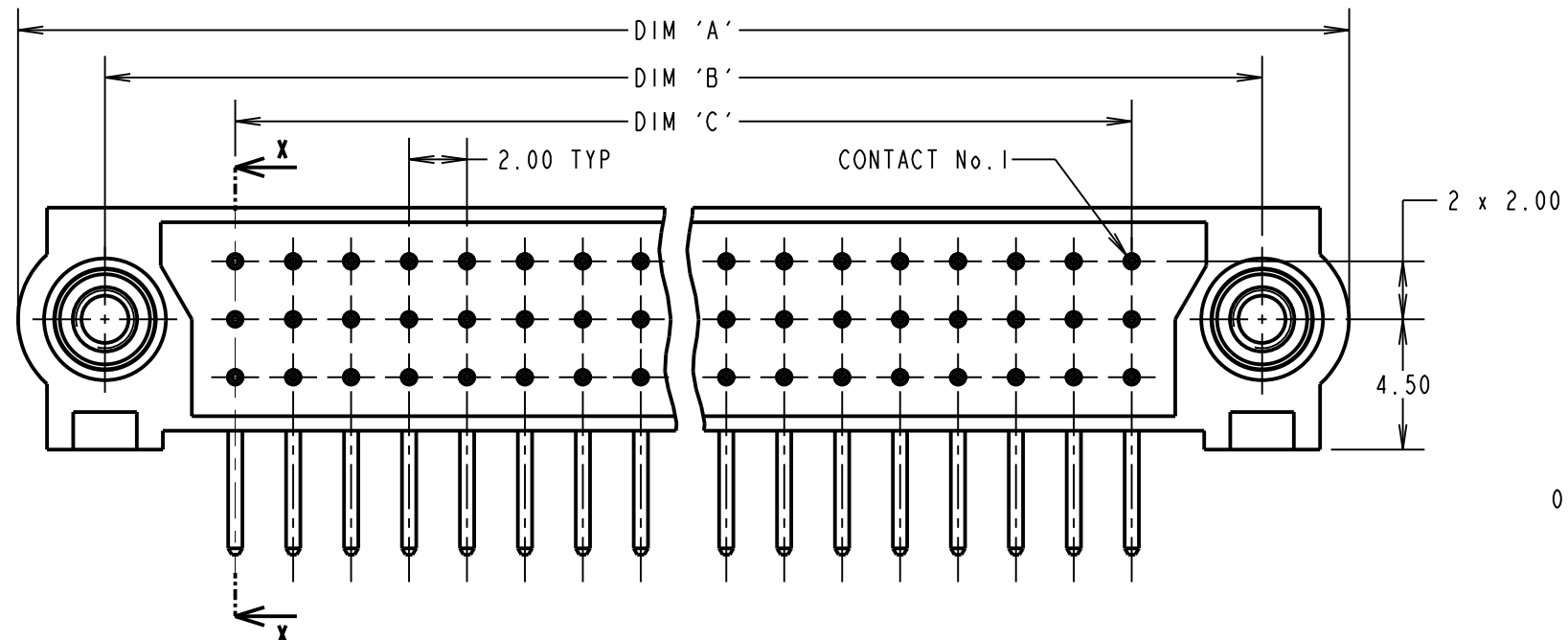
©

NOT TO SCALE

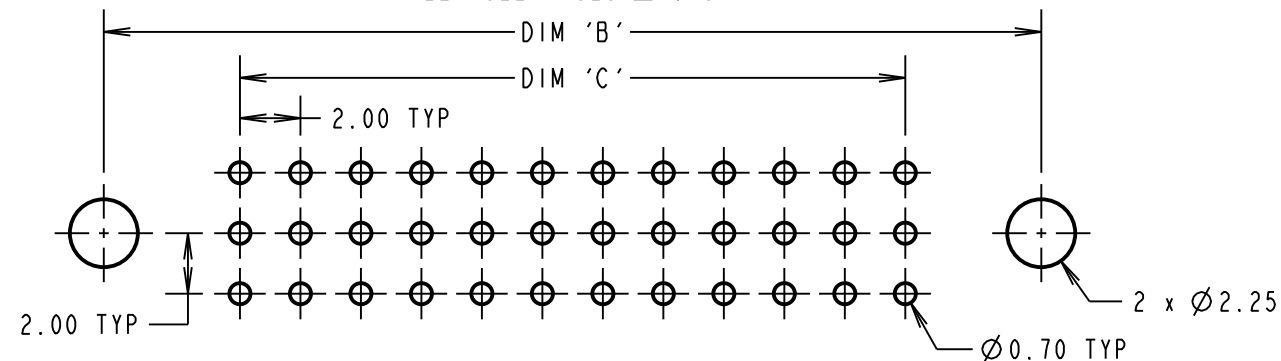
THIRD ANGLE PROJECTION

ALL DIMENSIONS IN mm

**SPECIFICATIONS:**  
**MATERIAL:**  
 MOULDING = GLASS-FILLED PPS,  
 UL94V-0, BLACK  
 JACKSCREW = STAINLESS STEEL  
 SIGNAL CONTACT = PHOSPHOR BRONZE  
**FINISH:**  
 SIGNAL CONTACT = 0.75µm GOLD  
**PACKING:**  
 BOARD SCREWS PACKED IN SEPERATE BAG  
 FOR COMPLETE SPECIFICATION, SEE  
 COMPONENT SPECIFICATION C005XX  
 (LATEST ISSUE)



RECOMMENDED PCB LAYOUT  
 (ALL TOLERANCES ±0.05)



ORDER CODE:  
**M83-LML3M7NXX-0000-000**  
 TOTAL No. OF CONTACTS  
 18, 27, 36, 48, 54, 60, 96

MR	6	28.02.22	31384
NAME	ISS.	DATE	CN/CO
APPROVED: M. RUDKIN			
CHECKED: R. ALEXANDER			
DRAWN: S. MCCULLAGH			
CUSTOMER REF.:			
ASSEMBLY DRG:			

DIMENSION	CALCULATION
DIM 'A'	((TOTAL No. OF CONTACTS /3) x2) +13.0
DIM 'B'	((TOTAL No. OF CONTACTS /3) x2) +7.00
DIM 'C'	((TOTAL No. OF CONTACTS /3) x2) -2.00
EXAMPLE: CONNECTOR WITH 27 CONTACTS, M83-LML3M7N27-0000-000 DIM 'A' = 31.0, DIM 'B' = 25.00, DIM 'C' = 16.00	

 www.harwin.com technical@harwin.com	THIS DRAWING AND ANY INFORMATION OR DESCRIPTIVE MATTER SET OUT HEREON ARE CONFIDENTIAL AND COPYRIGHT PROPERTY OF THE HARWIN GROUP AND MUST NOT BE DISCLOSED, LOANED, COPIED OR USED FOR MANUFACTURING, TENDERING OR FOR ANY OTHER PURPOSE WITHOUT THEIR WRITTEN PERMISSION.	TOLERANCES X. = ±1mm X.X = ±0.50mm X.XX = ±0.20mm X.XXX = ±0.01mm ANGLES = ±5° UNLESS STATED	MATERIAL: SEE ABOVE	TITLE: JACKSCREW DATAMATE 3-ROW MALE HORIZONTAL PC-TAIL ASSEMBLY
		FINISH: SEE ABOVE S/AREA: mm <sup>2</sup>	DRAWING NUMBER: <b>M83-LML3M7NXX-0000-000</b>	SHT 2 OF 2