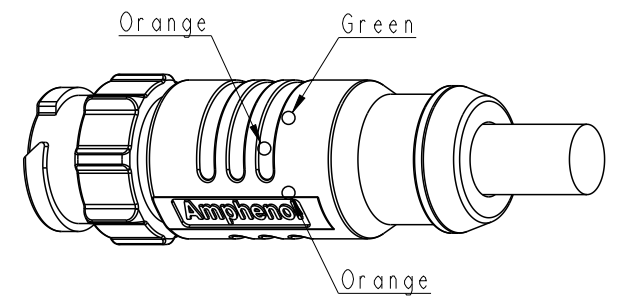
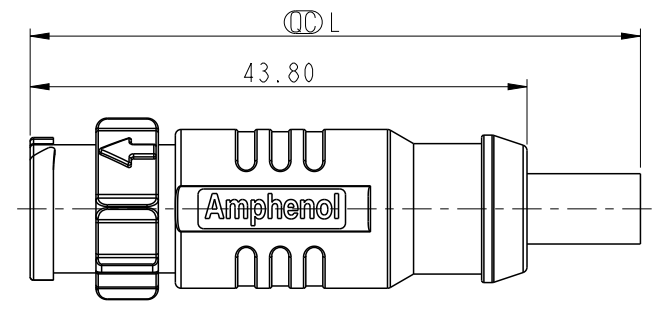
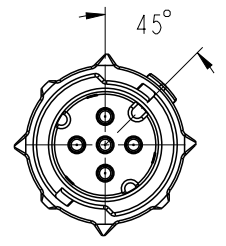
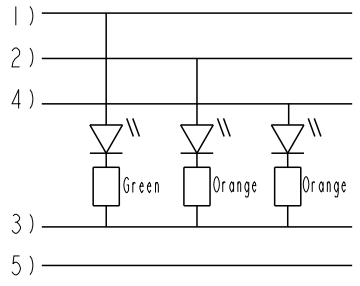


THIS DOCUMENT IS SUBJECT TO CHANGE WITHOUT NOTICE. IT IS CONFIDENTIAL AND A PROPERTY OF Amphenol LTW. DISCLOSURE TO THIRD PARTY HAS TO BE AUTHORIZED BY Amphenol LTW.

REV.	ECN NO.	DATE	SIGN	DESCRIPTION
A		2021-05-26	Sam Ho	Rev.01 to A, Initial Released

Contacts	Cable Jacket	Cable OD	AWG	Item No.
5 Pin	PVC	6.2	20	LAD-05BMMM-QL8DXX
4 Pin		6.0		LAD-04BMMM-QL8DXX
3 Pin		5.5		LAD-03BMMM-QL8DXX



Note:

- \*  $\varnothing$  Important Dimension
- \* Waterproof Rate: IPX8, Mated 1m/24h
- \* Connector
  - Housing: Thermoplastic, Black
  - Pin: Copper Alloy, Gold Plated
  - Outer Mold: Thermoplastic, Transparent Black.
- \* Cable: UL21388, PVC Jacket, Black
- \* Cable Length Tolerance:

	1M: +50/-0 mm
1M < L ≤ 3M:	+100/-0 mm
3M < L ≤ 5M:	+150/-0 mm
5M < L ≤ 10M:	±100 mm
10M < L ≤ 20M:	±200 mm
20M < L ≤ 30M:	±300 mm
30M < L ≤ 99M:	±500 mm

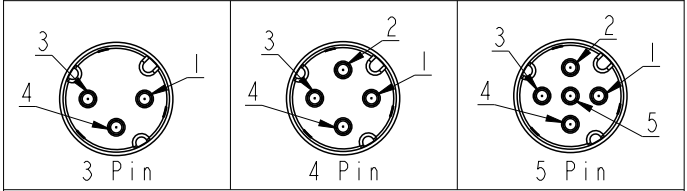
LAD- XX BMMM-QL8D XX

No. Of Pin

XX: L=0~99Meters  
 01: L=1Meters  
 02: L=2Meters  
 :  
 99: L=99Meters

5	-	5	-	5	Yellow	黃
4	Brown	4	Orange	4	Orange	橘
3	Red	3	Red	3	Red	紅
2	-	2	Brown	2	Brown	棕
1	Black	1	Black	1	Black	黑

Pin Out



Pin Assignments Front View

UNIT:mm		TITLE
TOLERANCE	$\pm 0.50\text{mm}$	XLOK, LED-A-5A, 05P, CABLE W/O SR M, M, MOLDING, PUSH LOCK
SCALE	3:2	SIZE
REV.	A	A4
WC-REV.		SHEET
		1 OF 1
		WC-REV.
		$\varnothing$ : Inspection item

**Amphenol LTW**  
 安費諾亮泰企業股份有限公司

ITEM NO	DRAWN BY	DATE
	Sam Ho	2021-05-11
DWG NO	CHECKED BY	DATE
LAD-XXBMMM-QL8DXX	Fred Lee	2021-05-11
CUSTOMER	APPROVED BY	DATE
ALTW	Fred Lee	2021-05-11