



A Product Line of  
Diodes Incorporated



# SPECIFICATION FOR APPROVAL

CUSTOMER

NOMINAL FREQUENCY

**20.000000 MHz**

PRODUCT TYPE

**TYPE FL 3.2x2.5 SEAM SEALED CRYSTAL**

PART NUMBER

**FL2000107**

CUSTOMER P/N

ISSUE DATE

**April 12, 2018**

VERSION

**B**

| APPROVED   | PREPARED     | QA        |
|------------|--------------|-----------|
| Brenda Kuo | Claire Cheng | Dony Yang |

## Diodes Incorporated

No.2, Ziqiang 5th Rd., Zhongli Industrial Park,  
Zhongli Dist., Taoyuan City 32063, Taiwan (R.O.C.)  
TEL:886-3-451-8888  
FAX:886-3-461-3865  
<https://www.diodes.com>

\*Pb-free

\*RoHS Compliant

\*HF-Halogen Free

\*REACH Compliant

# TYPE FL 3.2x2.5 SEAM SEALED CRYSTAL

## FL2000107

VER.B 12-APR-18

### ELECTRICAL SPECIFICATIONS

| Item  | Symbol | Specifications     | Units         | Notes                              |
|---|--------|--------------------|---------------|------------------------------------|
| Nominal Frequency   | Fn     | 20.000000          | MHz           |                                    |
| Mode of Oscillation   | MO     | AT Cut-Fundamental |               |                                    |
| Calibration Load Capacitance  | CL     | 8                  | pF            |                                    |
| Calibration Tolerance   | FL     | $\pm 10$           | ppm           | at 25°C $\pm 3^{\circ}\text{C}$    |
| Operating Temperature Range   | TR     | -40 to +85         | °C            |                                    |
| Frequency Stability(Frequency Deviation over the Operating Temperature Range) | F/T    | $\pm 15$           | ppm           | Reference to the Frequency at 25°C |
| Operating Drive Level   |        | 10                 | $\mu\text{W}$ |                                    |
| Maximum Drive Level   |        | 100                | $\mu\text{W}$ |                                    |
| Equivalent Series Resistance  | ESR    | 50                 | $\Omega$      | Max.                               |
| Shunt Capacitance   | C0     | 5                  | pF            | Max.                               |
| Aging at 25°C   |        | $\pm 5$            | ppm           | Max, 1st year                      |
| Storage Temperature   |        | -55 to +125        | °C            |                                    |
| Insulation Resistance   |        | 500                | M $\Omega$    | Min                                |

\*\* This product doesn't include harmful substance that stipulated by SONY SS-00259 Level 1 and S-AT2-001 Level 1 standard. RoHS Compliant (Pb - Free).

# TYPE FL 3.2x2.5 SEAM SEALED CRYSTAL

**FL2000107**

VER.B 12-APR-18

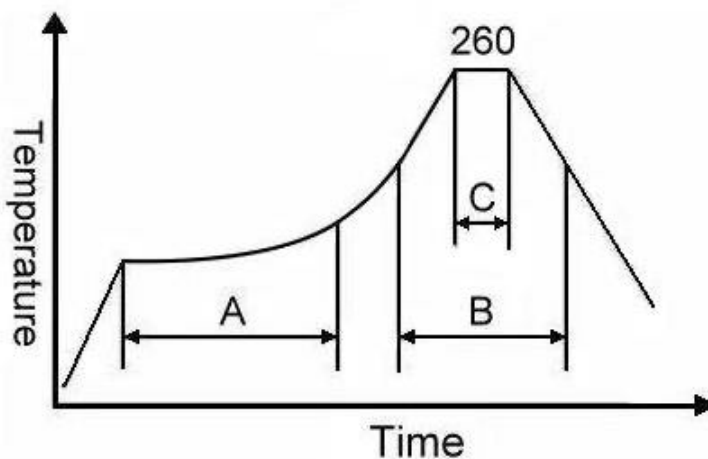
## RELIABILITY SPECIFICATIONS

### MECHANICAL AND ENVIRONMENTAL RATINGS:

- a) FINE LEAK TEST: JESD22-A109 (Condition 1A)
- b) GROSS LEAK TEST: JESD22-A109 (Condition C)
- c) MOISTURE RESISTANCE: JESD22-A113
- d) SHOCK: JESD22-B104 (Condition B)
- e) SOLDERABILITY : (RoHS version): J-STD-002
- f) VIBRATION: JESD22-B103
- g) SOLVENT RESISTANCE: JESD22-B107
- h) RESISTANCE TO SOLDERING HEAT (RoHS version): J-STD-020D Table 5.2 Pb free devices (3 cycles max)

## SUGGESTED IR REFLOW PROFILE

\*As per IPC-JEDEC J-STD-020D



Note:

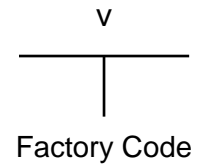
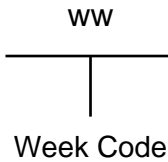
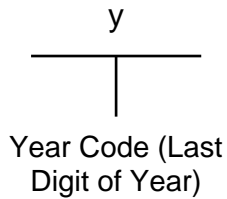
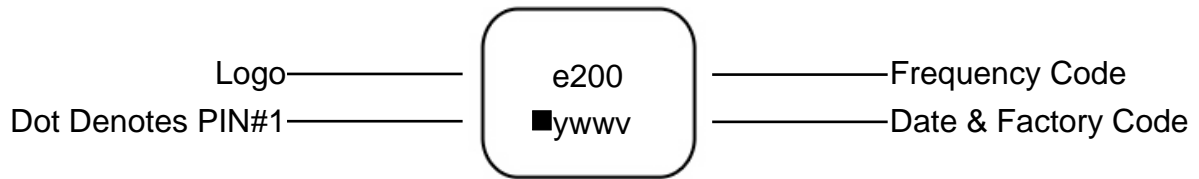
|   | Stage        | Temperature | Time       |
|---|--------------|-------------|------------|
| A | Preheat      | 150~200°C   | 60~120 Sec |
| B | Primary Heat | 217°C       | 60~150 Sec |
| C | Peak         | 260°C       | 10 Sec     |

# TYPE FL 3.2x2.5 SEAM SEALED CRYSTAL

**FL2000107**

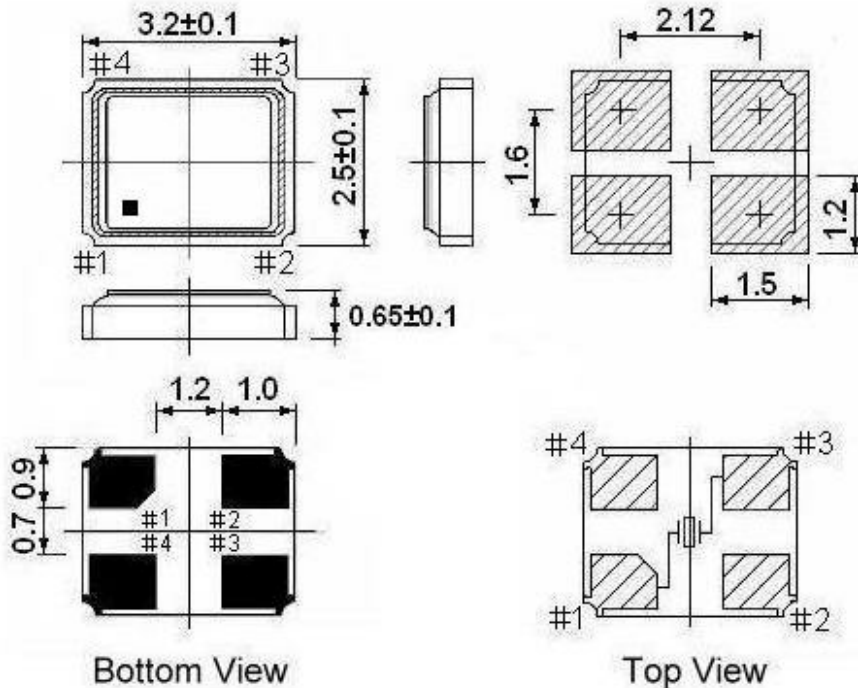
VER.B 12-APR-18

## MARKING



## MECHANICAL DRAWINGS ( Scale: None. Dimensions are in mm.)

Recommended Land Pattern



**\*\* Recommended - Pin 1 & 3 : CRYSTAL  
 Pin 2 & 4 : GND**

**Notes:**

1. Package drawings are for reference only, and the appearances of objects may vary. Actual packages are based on the real product.
2. The marking dot denotes Pin#1.
3. The position and shape of the chamfer pin may vary and are based on the real product.

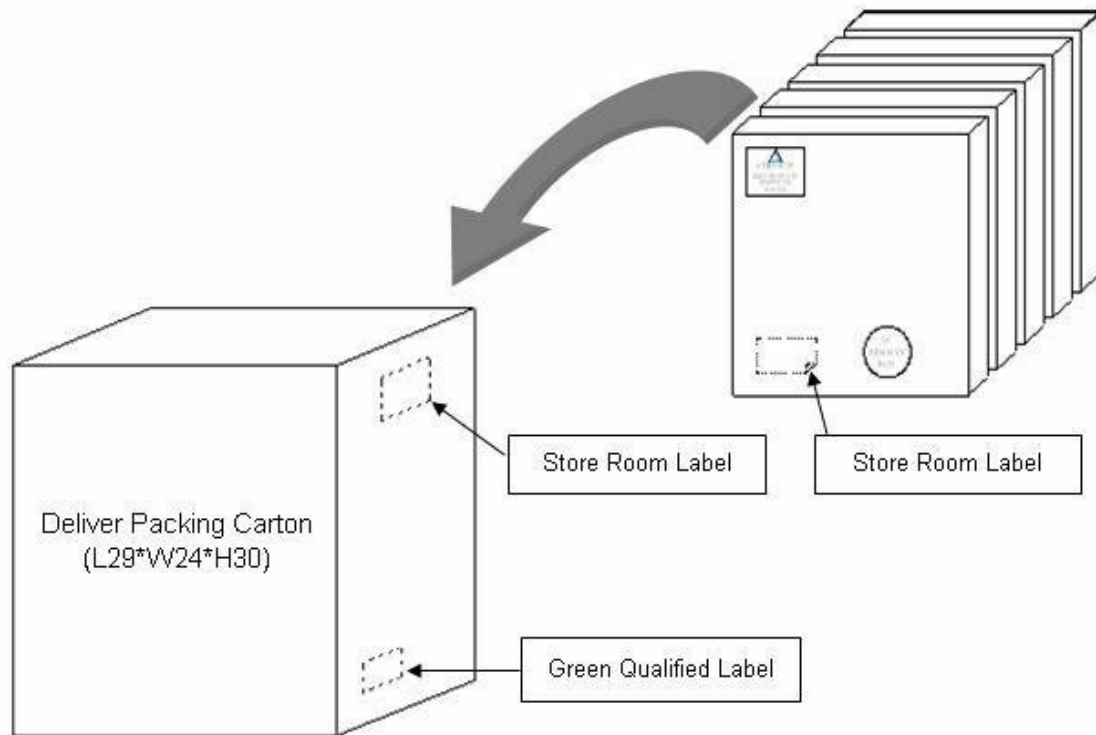
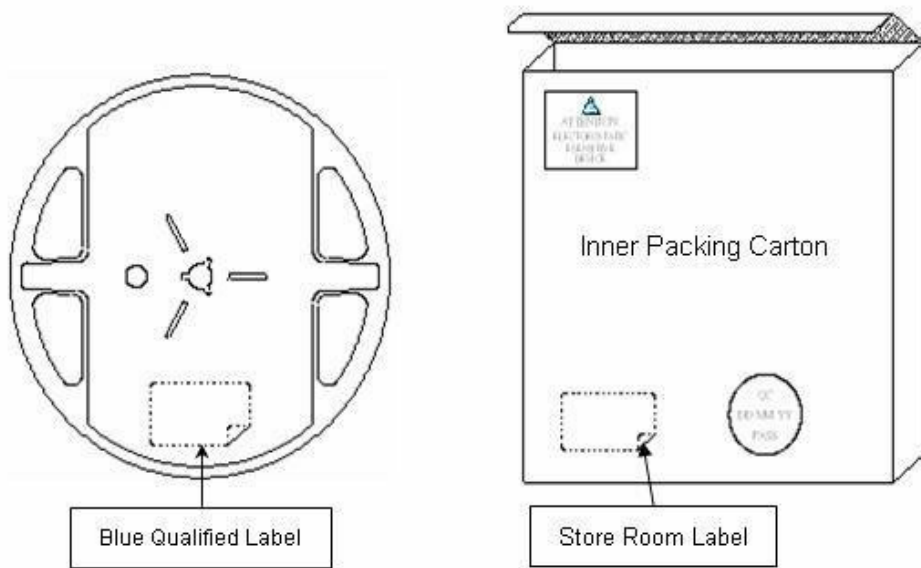
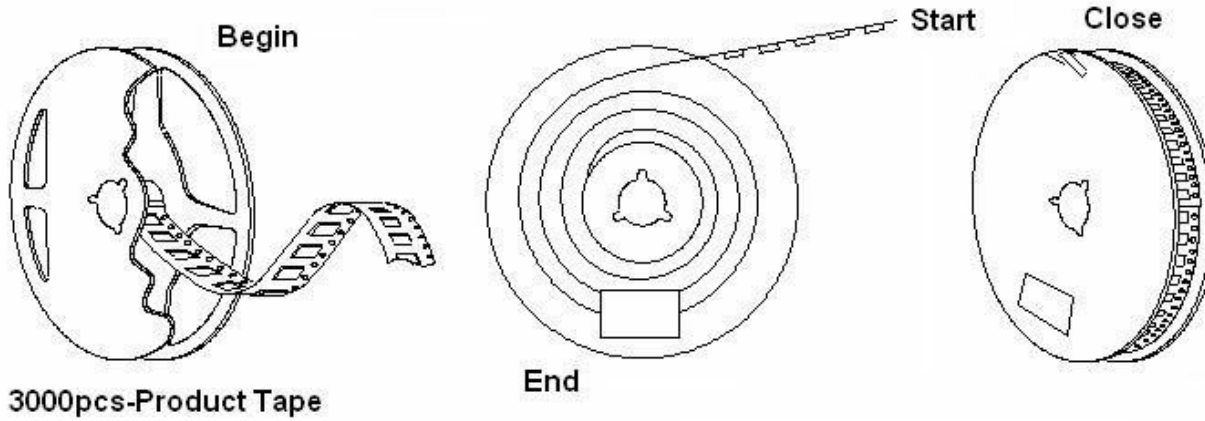


# TYPE FL 3.2x2.5 SEAM SEALED CRYSTAL

FL2000107

VER.B 12-APR-18

## PACKING



# TYPE FL 3.2x2.5 SEAM SEALED CRYSTAL

***FL2000107***

VER.B 12-APR-18

## VERSION HISTORY

| Version No. | Version Date  | Description     | Notes |
|-------------|---------------|-----------------|-------|
| A           | Nov. 14, 2012 | Initial Release |       |
| B           | Apr. 12, 2018 | Updated logo    |       |