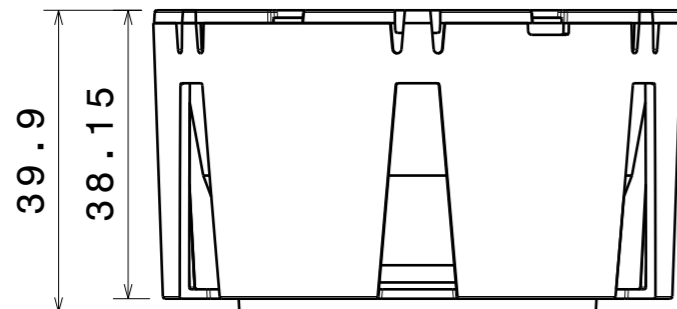
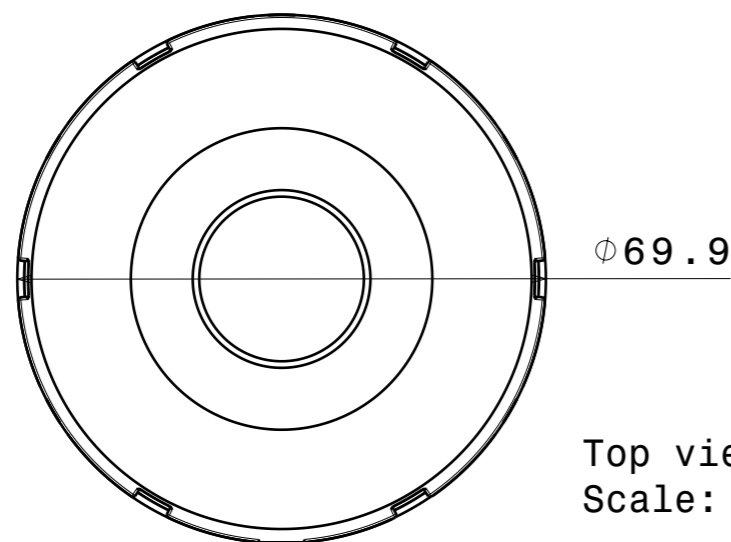


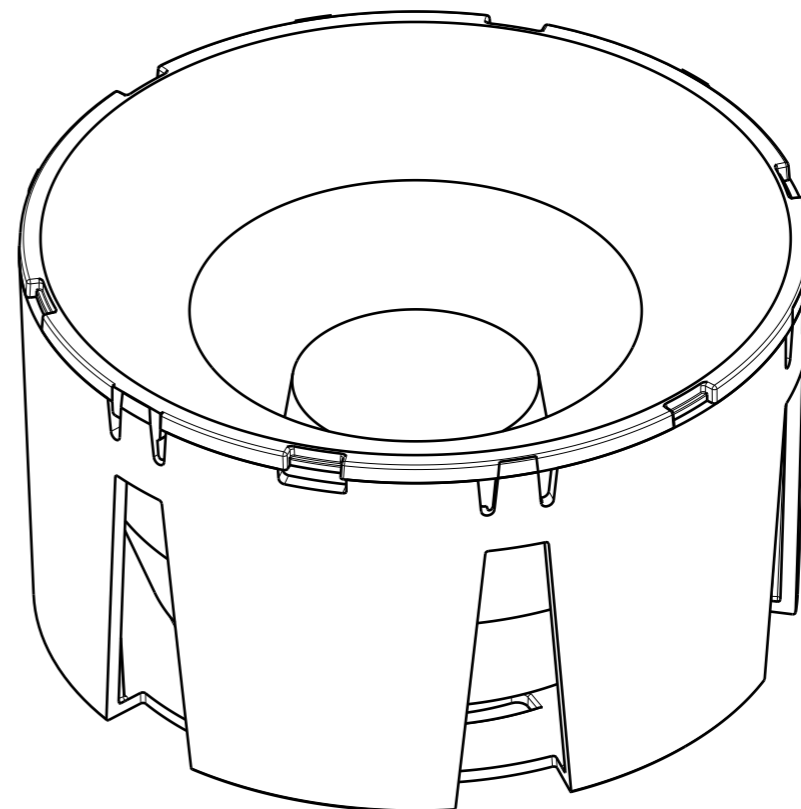
Bottom view
Scale: 1:1



Front view
Scale: 1:1



Top view
Scale: 1:1



Isometric view
Scale: 3:2

CP17415_YASMEEN-70-W-C

COMPONENTS

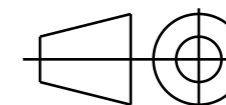
INDEX	PART	TYPE	MATERIAL	COLOR / COATING
1	C17396_YASMEEN-70-HLD-C	HOLDER	PC	black
2	C17240_Yasmeen-70-W	LENS	PMMA	CLEAR

MECHANICAL DRAWING

PRODUCT
YASMEEN

Plastic moulding general tolerances according to DIN 16901-130 and applies if not otherwise shown in the drawing.
Silicone moulding general tolerances according to ISO 3302-1 Class M3 and applies if not otherwise shown in the drawing.

FIRST ANGLE PROJECTION:



LEDiL®

This drawing is the property of LEDiL Oy. It may not be copied or otherwise distributed without prior written permission from LEDiL Oy.

SCALE 3:2

WEIGHT 81.387 g

A3 SHEET 1/1

Notes

●	PCB or heatsink level.
●	LED location
	Ensure LED fitting from a product specific 3D model available from www.ledil.com
	For more details about installation please see LEDiL Installation Guide on www.ledil.com