

THIS DRAWING IS UNPUBLISHED.

RELEASED FOR PUBLICATION

2000

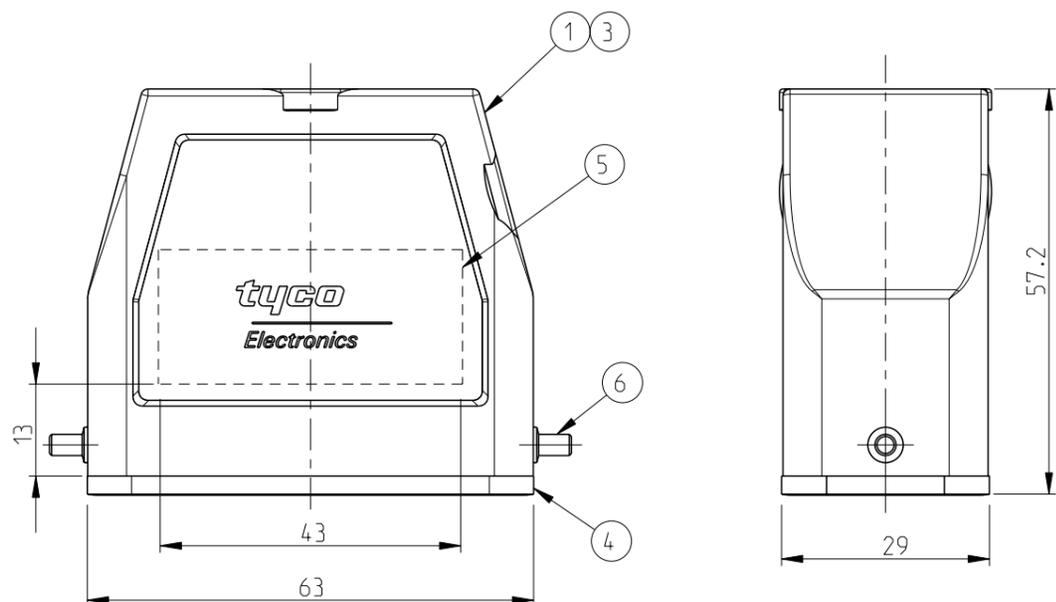
© COPYRIGHT 2000 BY -

ALL RIGHTS RESERVED.

REVISIONS

P	LTR	DESCRIPTION	DATE	DWN	APVD
C4		ECR-10-016845	12AUG2010	GW	BR
C5		REVISED PER ECR-17-013084	10JAN2018	SRG	MKO

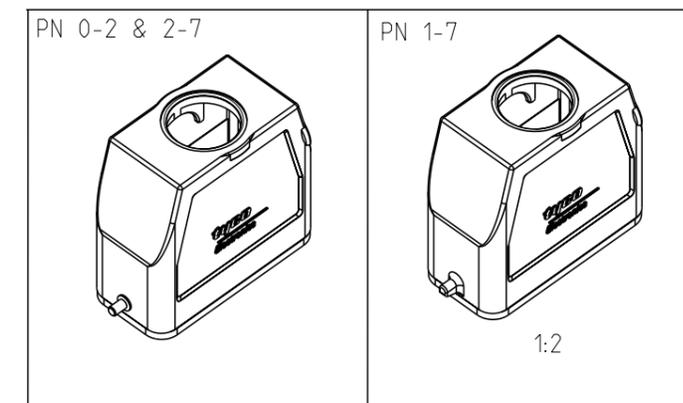
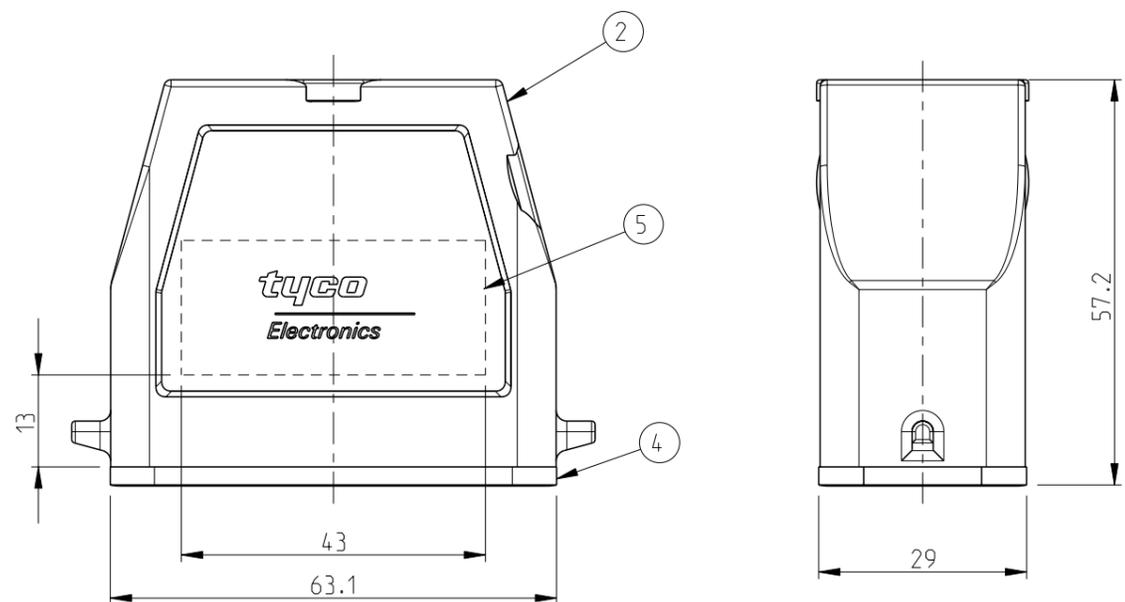
PN 0-2 & 2-7



NOTES

- 1 PACKAGING
PACKAGING QUANTITY:5 PIECES PER BOX
- 2 MATERIAL:HOUSING ALUMINIUM DIECASTING ALLOY
SEALS:NEOPRENE
- 3 SURFACE:POWDER COATED
CORROSION PROTECTION
- 4 VARNISH ON THE INSIDE NOT NECESSARY

PN 1-7



OBsolete

QTY	DESCRIPTION	MATERIAL	SURFACE	COLOR	ITEM NO	REMARKS
2	CLIP BOLT	STAINLESS STEEL	BLANK	-	6	
2	INSULATING TAPE	COROPLAST TYP 303	-	GREY	5	PVC-SOFT
1	PROFILE SEAL	NEOPRENE	-	BLACK	4	-
1	HOOD HA-K	ALUMINIUM	ALUMINIUM OXIDE	BLACK RAL 9005	3	-
-	HOOD HA	ALUMINIUM	-	GREY RAL 7001	2	-
-	HOOD HA-K	ALUMINIUM	ALUMINIUM OXIDE	WHITE ALUMINIUM RAL 9006	1	-

QTY	DESCRIPTION	MATERIAL	SURFACE	COLOR	ITEM NO	REMARKS
2-7	HA-K.10.STO.1.16.G					1 PACKAGING
1-7	HA.10.STO.1.16.G					1 PACKAGING
0-2	HA-K.10.STO.1.16.G					1 PACKAGING

THIS DRAWING IS A CONTROLLED DOCUMENT.

DWN: S.KUMAR 23.02.2006
 CHK: R.SRINIVAS 23.02.2006
 APVD: T.SCHNURPFEL 23.02.2006

PRODUCT SPEC: 108-74009
 APPLICATION SPEC: 114-74001
 WEIGHT: -

NAME: HOOD HA.10.STO.1.16.G

SIZE: A3 CAGE CODE: 00779 DRAWING NO: C-1102120 RESTRICTED TO: []

MATERIAL: material_2 FINISH: finish_spec_2

CUSTOMER DRAWING SCALE: 1:1 SHEET: 1 OF 1 REV: C5