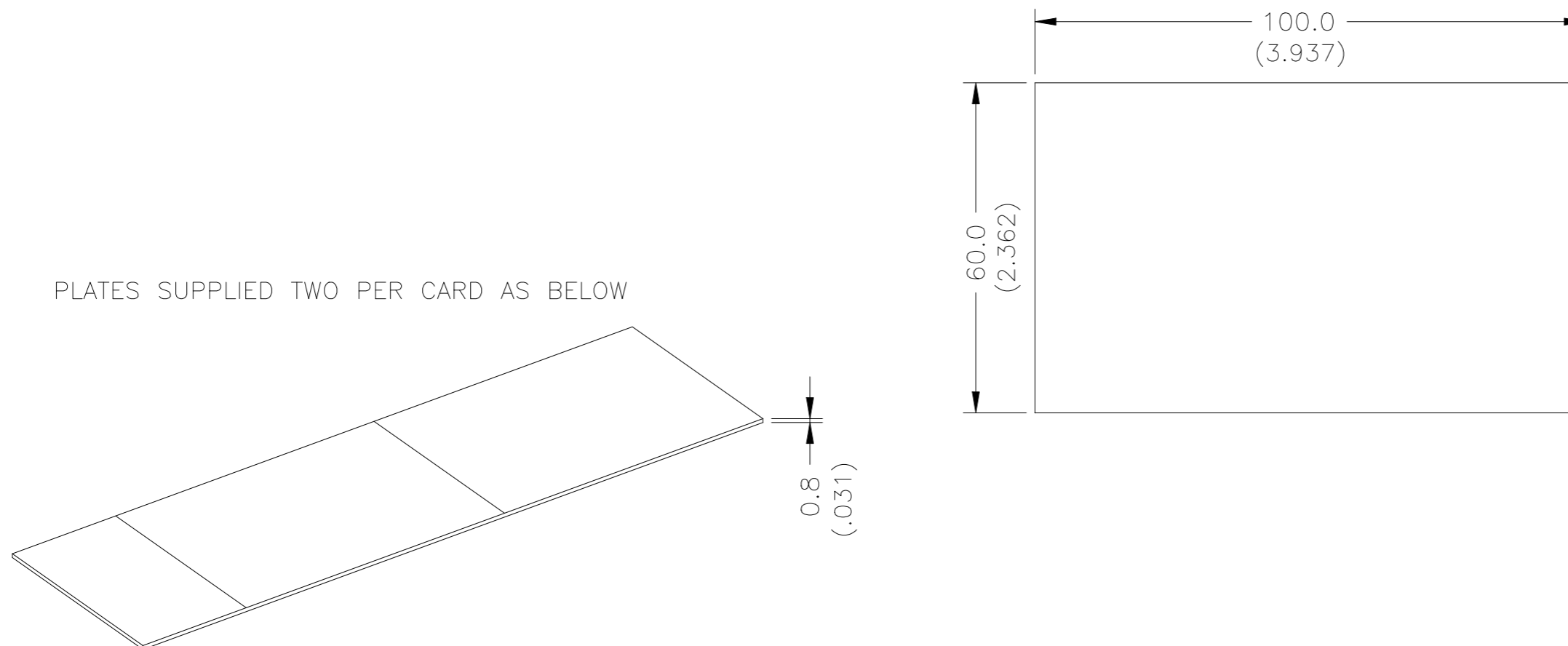



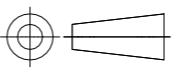
REVISIONS

P	LTR	DESCRIPTION	DATE	DWN	APVD
	1	INITIAL RELEASE	23MAR2021	AFK	LS

PLATES SUPPLIED TWO PER CARD AS BELOW



Part No.	Description	Markers per Card	Cards per Pack	Card weight g	Color
1SNA235878R0000	PAT60100	2	11	3.64	White

THIS DRAWING IS A CONTROLLED DOCUMENT.		DWN AFK	22MAR2021	 TE Connectivity			
DIMENSIONS: mm [INCHES]		CHK ALE	22MAR2021			NAME	
		APVD LS	22MAR2021			SELF ADHESIVE PVC PANEL PLATE (PAT)	
MATERIAL PVC		FINISH -		PRODUCT SPEC -	APPLICATION SPEC -		
		WEIGHT	3.64g/CARD	SIZE	A3		
		CUSTOMER DRAWING		CAGE CODE	00779		
				DRAWING NO	C-PAT_PANEL_PLATE		
				RESTRICTED TO	-		
				SCALE	NTS		
				SHEET	1 OF 1		
				REV	1		