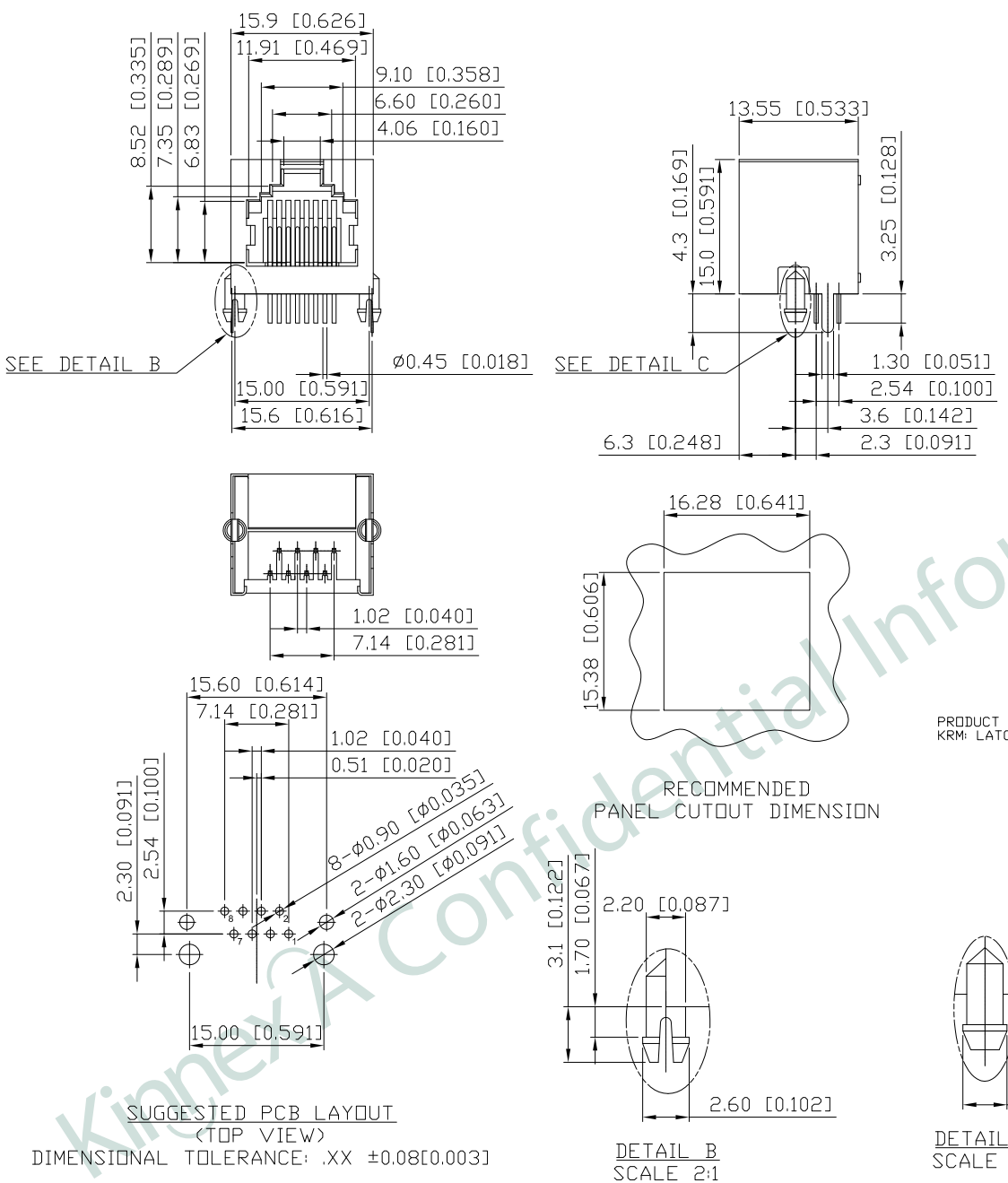


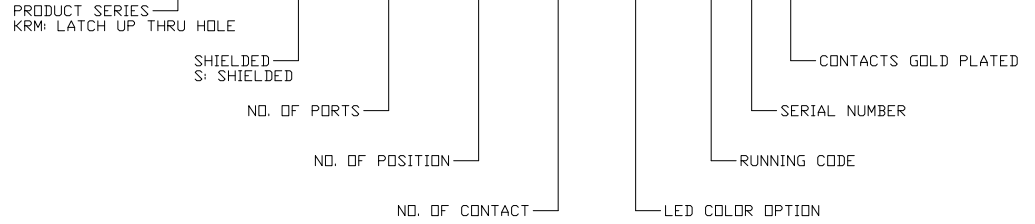
1. MECHANICAL DIMENSIONS :



REV.	DATE	DESCRIPTION
01	Jan. 09, '18	1st RELEASE

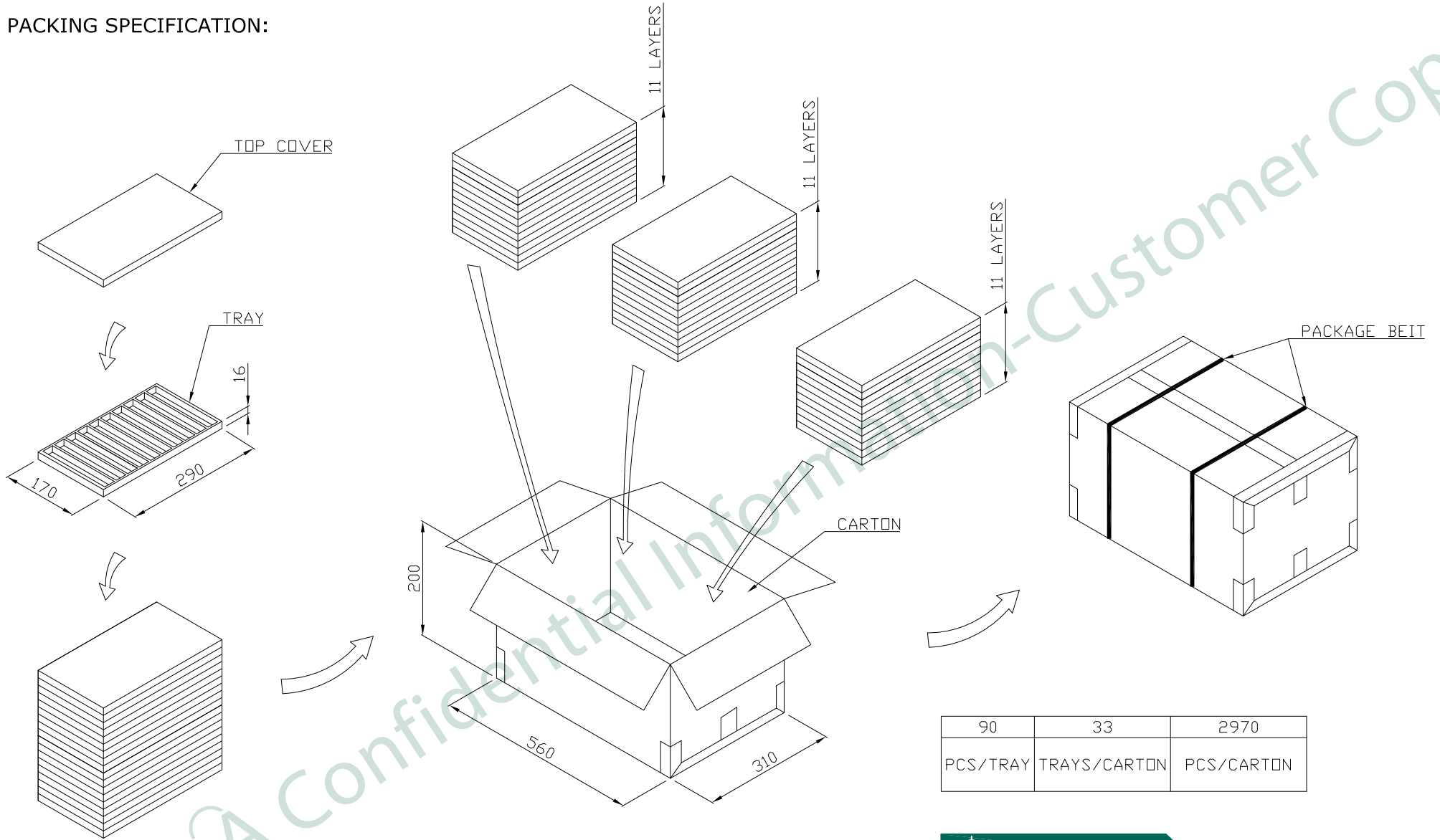
- NOTES:
- MATERIAL:
 HOUSING: HIGH THERMOPLASTIC, UL94V-0, BLACK
 CONTACTS: PHOS-BRONZE,
 GOLD FLASH PLATING ON CONTACT AREA,
 NICKEL UNDERPLATING OVERALL
 SHIELD: COPPER ALLOY, NICKEL PLATING
 - OPERATING TEMPERATURE: -40°C~+85°C
 - INSERTION FORCE: 4 POUNDS MAX.
 EXTRACTION FORCE: 4 POUNDS MAX.
 - DURABILITY: 750 MATING CYCLED MIN.
 - CAVITY CONFORMS TO FCC RULES AND REGULATIONS PART 68, SUBPART F.
 - UNSPECIFIED TOLERANCE: .XX ±0.25[0.010]
 .X ±0.30[0.012]

KRM-S-01-8-8-0-6A5



PART NO		KRM-S-01-8-8-0-6A5		
TITLE	RJ45 8P8C, W/O LED, SHIELDED			
REV : 01				
UNIT	DRAWN	CHKD	DATE	SHEET
mm[inch]	CINDY	DANIEL	Jan. 09, '18	1 of 3

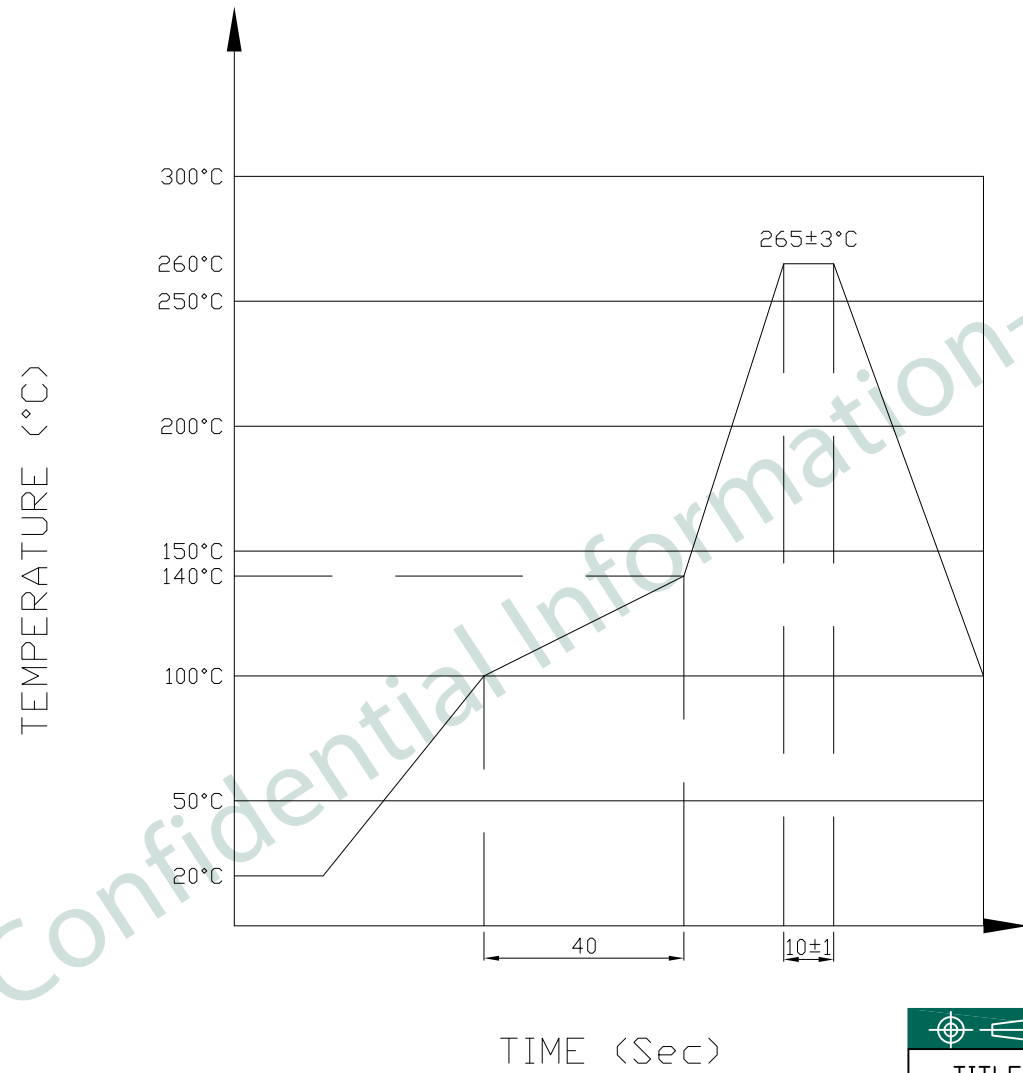
2. PACKING SPECIFICATION:



90	33	2970
PCS/TRAY	TRAYS/CARTON	PCS/CARTON

PART NO KRM-S-01-8-8-0-6A5				
TITLE		RJ45 8P8C, W/D LED, SHIELDED		
REV : 01				
UNIT	DRAWN	CHKD	DATE	SHEET
mm[inch]	CINDY	DANIEL	Jan. 09, '18	2 of 3

3. PROFILE OF WAVE SOLDER :



The measuring point for the specified temperature shall be on the soldered part of the lead

PART NO KRM-S-01-8-8-0-6A5				
TITLE	RJ45 8P8C, W/D LED, SHIELDED			
REV : 01				
UNIT	DRAWN	CHKD	DATE	SHEET
mm[inch]	CINDY	DANIEL	Jan. 09, '18	3 of 3