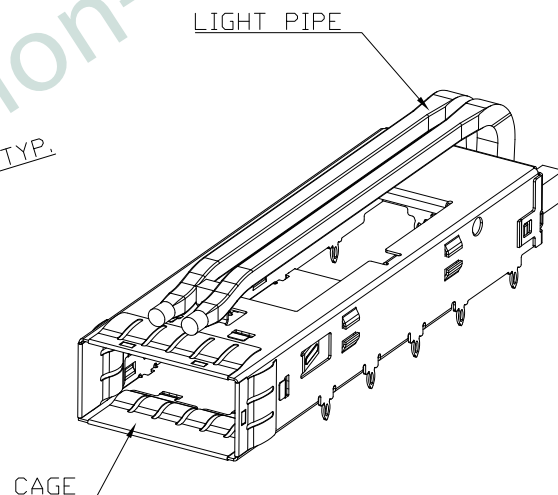
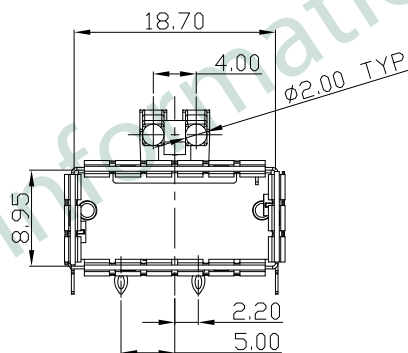
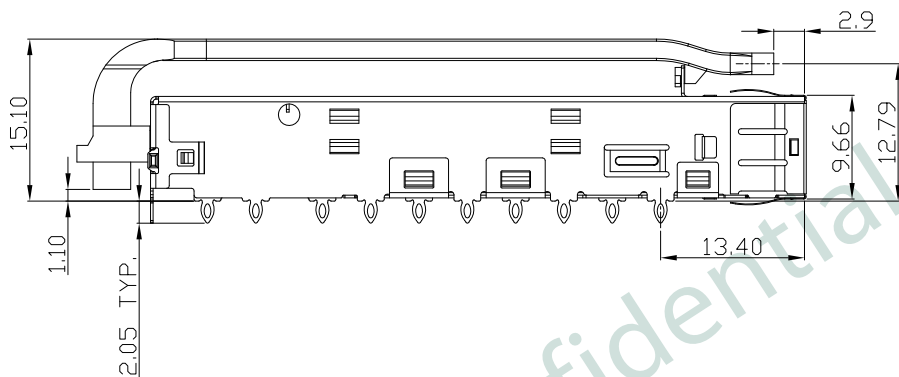
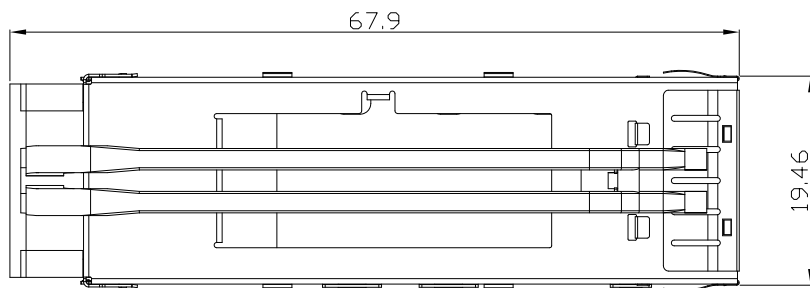


REV.	DATE	DESCRIPTION
01	Jul, 05 '18	1st RELEASE

NOTES:

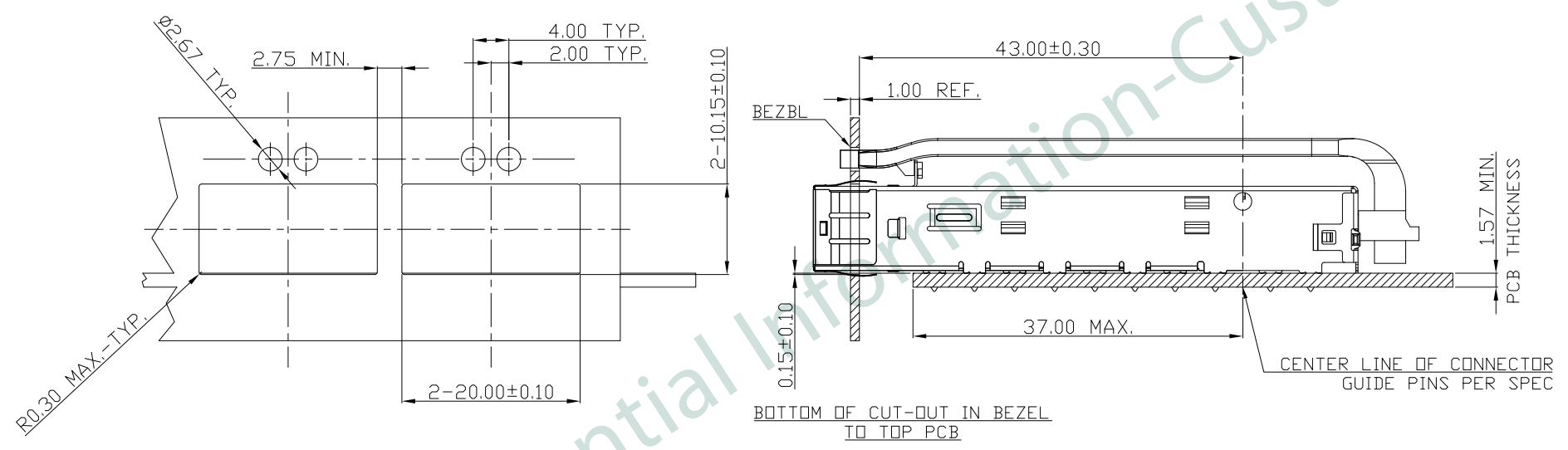
1. CAGE: COPPER ALLOY
2. LIGHT PIPE: POLYCARBONATE COLOR CLEAR
3. UNSPECIFIED TOLERANCE: .XXX ±0.10
.XX ±0.25

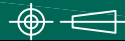


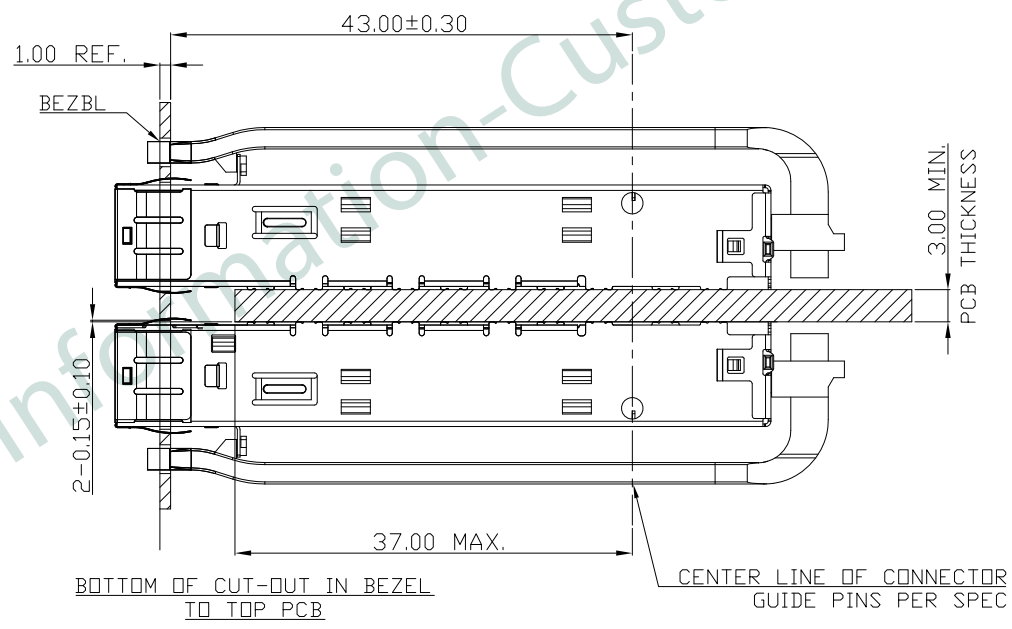
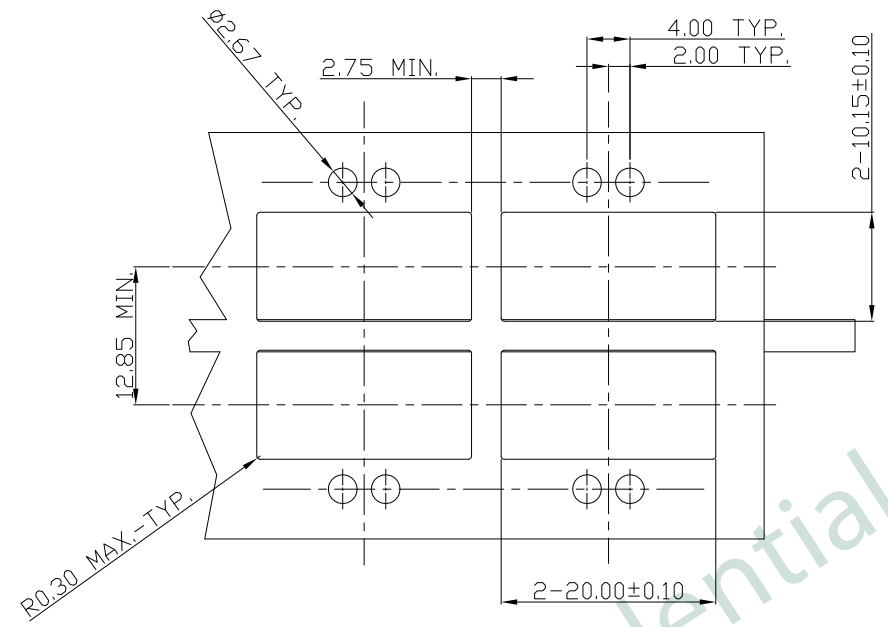
KQFP-A-ZPFT-01E1

PRODUCT A: CAGE
 CATEGORY Z: QSFP 28
 TERMINAL / TYPE PF: PRESS FIT
 SERIAL NUMBER
 OPTION E: W/DUAL LIGHT PIPE(ROUND), W/D HEATSINK
 NUMBER OF PART
 EMI TYPE T: THROUGH BEZEL

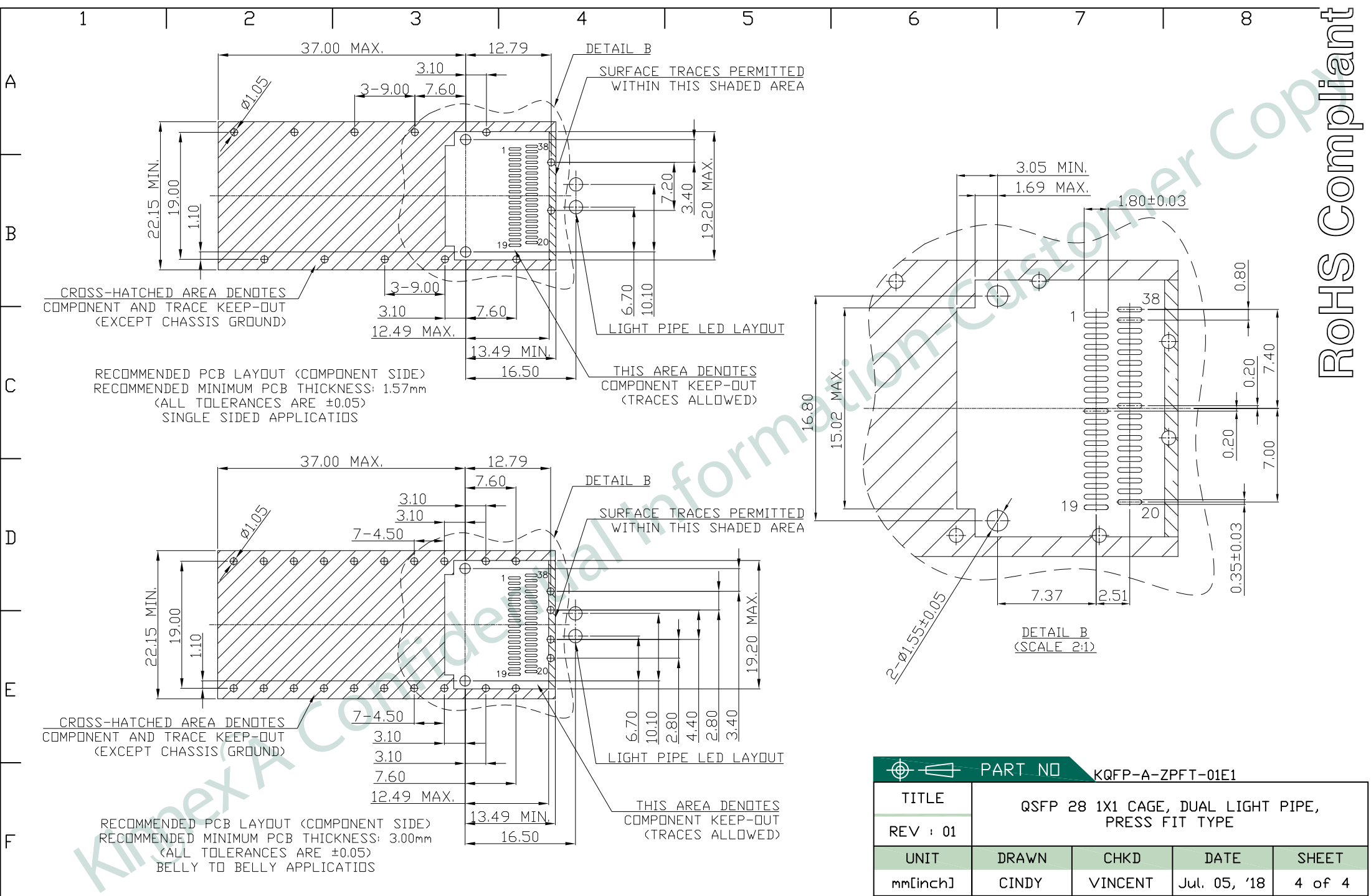
PART NO		KQFP-A-ZPFT-01E1		
TITLE	QSFP 28 1X1 CAGE, DUAL LIGHT PIPE, PRESS FIT TYPE			
REV : 01				
UNIT	DRAWN	CHKD	DATE	SHEET
mm[inch]	CINDY	VINCENT	Jul. 05, '18	1 of 4



 PART NO		KQFP-A-ZPFT-01E1		
TITLE	QSFP 28 1X1 CAGE, DUAL LIGHT PIPE, PRESS FIT TYPE			
REV : 01				
UNIT	DRAWN	CHKD	DATE	SHEET
mm[inch]	CINDY	VINCENT	Jul. 05, '18	2 of 4



PART NO		KQFP-A-ZPFT-01E1		
TITLE	QSFP 28 1X1 CAGE, DUAL LIGHT PIPE, PRESS FIT TYPE			
REV : 01				
UNIT	DRAWN	CHKD	DATE	SHEET
mm[inch]	CINDY	VINCENT	Jul. 05, '18	3 of 4



PART NO		KQFP-A-ZPFT-01E1		
TITLE	QSF28 1X1 CAGE, DUAL LIGHT PIPE, PRESS FIT TYPE			
REV : 01				
UNIT	DRAWN	CHKD	DATE	SHEET
mm[inch]	CINDY	VINCENT	Jul. 05, '18	4 of 4