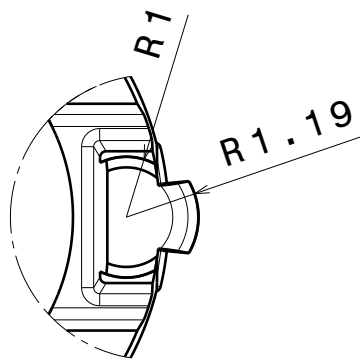
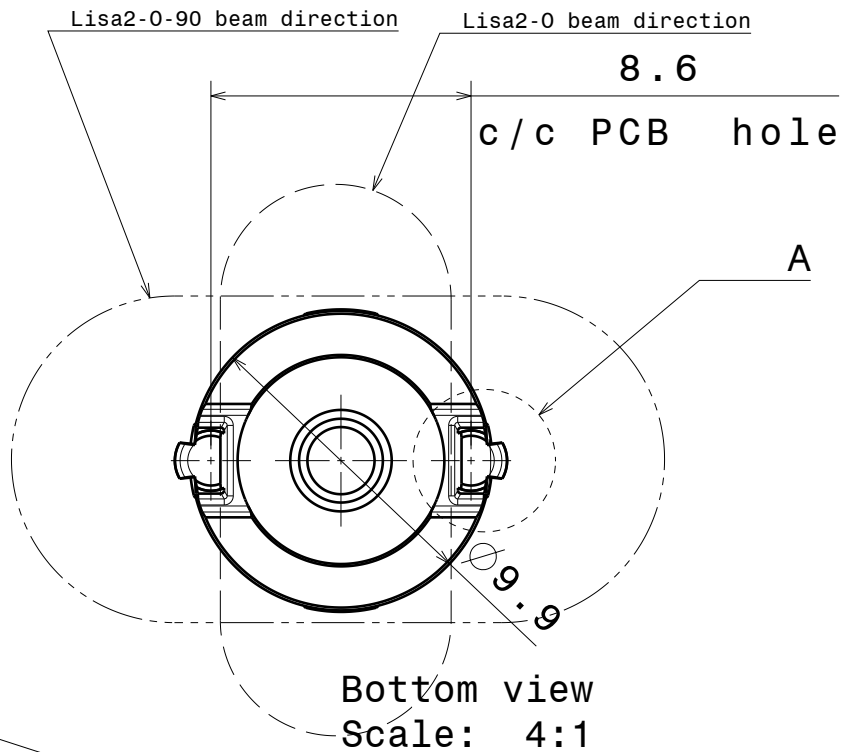


D C B A

4



Detail A  
Scale: 8:1



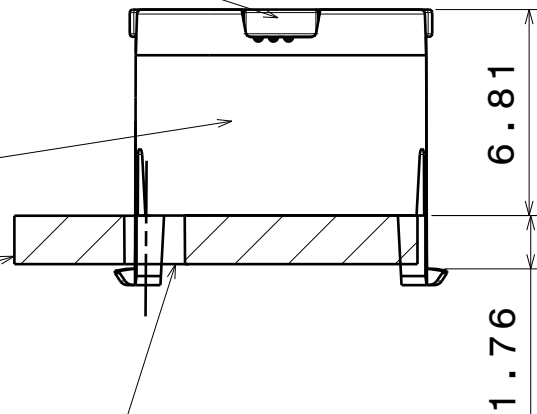
Bottom view  
Scale: 4:1

Lens

3

Holder

Reference PCB



Front view  
Scale: 4:1

2

Materials:  
Lens PMMA  
Holder PC

Note:  
Take tolerances  
into account  
when specifying  
positioning  
holes for PCB

4

3

2

This drawing is our property.  
It can't be reproduced  
or communicated without  
our written agreement.



Ledil Oy  
Tehdaskatu 13  
FIN-24100 SALO  
Finland

DRAWING TITLE

Datasheet Lisa2-clip16-XP series Assy

DRAWN BY

ch

DATE

20.7.2011

CHECKED BY

sn

DATE

20.7.2011

DESIGNED BY

hh

DATE

19.10.2009

SIZE

A4

DRAWING NUMBER

REV

2

SCALE

4:1

WEIGHT (g)

SHEET

1/1

1

1

D

A