

HiQ-CBR Automotive Series, EIA 0402 Case Size, COG Dielectric



Sample Kit Contents

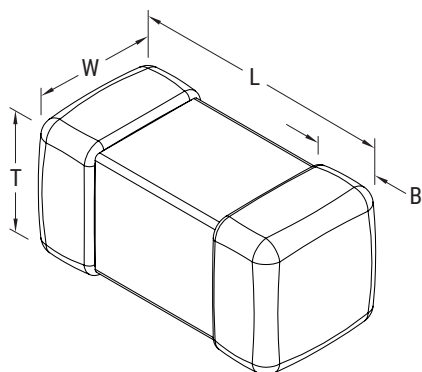
KEMET Part Number	Case Size	Capacitance	Cap Tolerance	Rated Voltage	Dielectric	Quantity
	EIA/Metric	(pF)		(V)		
CBR04C108B5GACAUTO	0402 / 1005	0.1	±0.10 pF	50	COG	100
CBR04C208B5GACAUTO	0402 / 1005	0.2	±0.10 pF	50	COG	100
CBR04C308B5GACAUTO	0402 / 1005	0.3	±0.10 pF	50	COG	100
CBR04C408B5GACAUTO	0402 / 1005	0.4	±0.10 pF	50	COG	100
CBR04C508B5GACAUTO	0402 / 1005	0.5	±0.10 pF	50	COG	100
CBR04C608B5GACAUTO	0402 / 1005	0.6	±0.10 pF	50	COG	100
CBR04C708B5GACAUTO	0402 / 1005	0.7	±0.10 pF	50	COG	100
CBR04C808B5GACAUTO	0402 / 1005	0.8	±0.10 pF	50	COG	100
CBR04C908B5GACAUTO	0402 / 1005	0.9	±0.10 pF	50	COG	100
CBR04C109B5GACAUTO	0402 / 1005	1.0	±0.10 pF	50	COG	100
CBR04C129B5GACAUTO	0402 / 1005	1.2	±0.10 pF	50	COG	100
CBR04C159B5GACAUTO	0402 / 1005	1.5	±0.10 pF	50	COG	100
CBR04C189B5GACAUTO	0402 / 1005	1.8	±0.10 pF	50	COG	100
CBR04C209B5GACAUTO	0402 / 1005	2.0	±0.10 pF	50	COG	100
CBR04C229B5GACAUTO	0402 / 1005	2.2	±0.10 pF	50	COG	100
CBR04C279B5GACAUTO	0402 / 1005	2.7	±0.10 pF	50	COG	100
CBR04C309B5GACAUTO	0402 / 1005	3.0	±0.10 pF	50	COG	100
CBR04C339B5GACAUTO	0402 / 1005	3.3	±0.10 pF	50	COG	100
CBR04C399B5GACAUTO	0402 / 1005	3.9	±0.10 pF	50	COG	100
CBR04C409B5GACAUTO	0402 / 1005	4.0	±0.10 pF	50	COG	100
CBR04C479B5GACAUTO	0402 / 1005	4.7	±0.10 pF	50	COG	100
CBR04C509C5GACAUTO	0402 / 1005	5.0	±0.25 pF	50	COG	100
CBR04C569C5GACAUTO	0402 / 1005	5.6	±0.25 pF	50	COG	100
CBR04C609C5GACAUTO	0402 / 1005	6.0	±0.25 pF	50	COG	100
CBR04C689C5GACAUTO	0402 / 1005	6.8	±0.25 pF	50	COG	100
CBR04C709C5GACAUTO	0402 / 1005	7.0	±0.25 pF	50	COG	100
CBR04C759C5GACAUTO	0402 / 1005	7.5	±0.25 pF	50	COG	100
CBR04C809C5GACAUTO	0402 / 1005	8.0	±0.25 pF	50	COG	100
CBR04C829C5GACAUTO	0402 / 1005	8.2	±0.25 pF	50	COG	100
CBR04C909C5GACAUTO	0402 / 1005	9.0	±0.25 pF	50	COG	100
KEMET Part Number	Case Size	Capacitance	Cap Tolerance	Rated Voltage	Dielectric	Quantity

Built Into Tomorrow

Sample Kit Contents cont.

KEMET Part Number	Case Size	Capacitance	Cap Tolerance	Rated Voltage	Dielectric	Quantity
	EIA/Metric	(pF)		(V)		
CBR04C100J5GACAU0	0402 / 1005	10.0	±5%	50	COG	100
CBR04C120J5GACAU0	0402 / 1005	12.0	±5%	50	COG	100
CBR04C150J5GACAU0	0402 / 1005	15.0	±5%	50	COG	100
CBR04C180J5GACAU0	0402 / 1005	18.0	±5%	50	COG	100
CBR04C220J5GACAU0	0402 / 1005	22.0	±5%	50	COG	100
CBR04C270J5GACAU0	0402 / 1005	27.0	±5%	50	COG	100
CBR04C330J5GACAU0	0402 / 1005	33.0	±5%	50	COG	100
CBR04C390J5GACAU0	0402 / 1005	39.0	±5%	50	COG	100
CBR04C470J5GACAU0	0402 / 1005	47.0	±5%	50	COG	100
CBR04C560J5GACAU0	0402 / 1005	56.0	±5%	50	COG	100
CBR04C680J5GACAU0	0402 / 1005	68.0	±5%	50	COG	100
CBR04C820J5GACAU0	0402 / 1005	82.0	±5%	50	COG	100
CBR04C101J5GACAU0	0402 / 1005	100.0	±5%	50	COG	100
KEMET Part Number	Case Size	Capacitance	Cap Tolerance	Rated Voltage	Dielectric	Quantity

Dimensions – Millimeters (Inches)



EIA Size Code	Metric Size Code	L Length	W Width	T Thickness	B Bandwidth	Mounting Technique
0402	1005	1.00 ±0.05 (0.040 ±0.002)	0.50 ±0.05 (0.020 ±0.002)	0.50 ±0.05 (0.020 ±0.002)	0.25 +0.05/-0.10 (0.010 +0.002/-0.004)	Solder Reflow Only