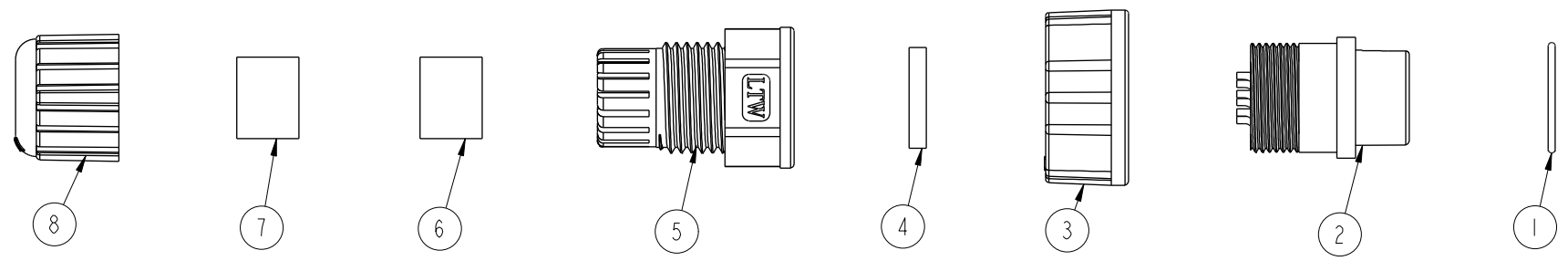


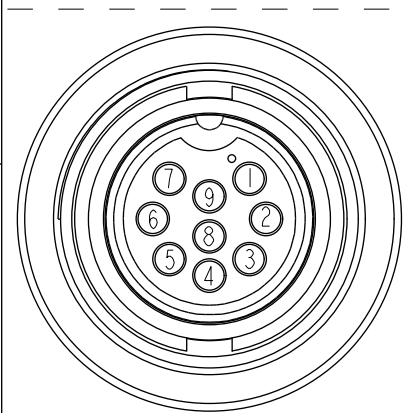
THIS DOCUMENT IS SUBJECT TO CHANGE WITHOUT NOTICE. IT IS CONFIDENTIAL AND A PROPERTY OF AMPHENOL LTW. DISCLOSURE TO THIRD PARTY HAS TO BE AUTHORIZED BY AMPHENOL LTW.

REV.	ECN NO.	DATE	SIGN	DESCRIPTION

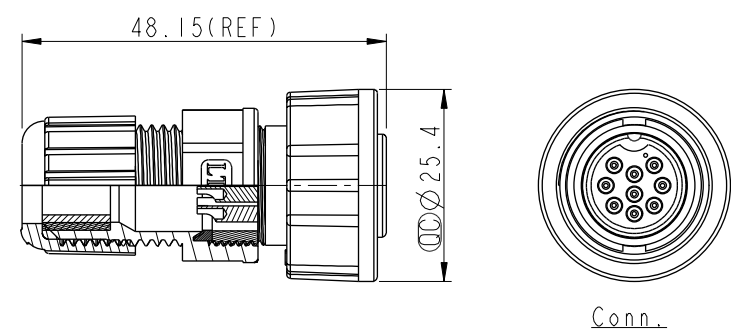
ALTW
 DCC. DEPT.
 CONFIDENTIAL
 2012-05-29
ISSUED



ALTW
 CONFIDENTIAL
 2012-04-12
 R&D DEPT.



Pin Assignments
Front View



- Note:
- * \varnothing Important Dimension To Check.
 - * Waterproof Rate: IP67
 - * Housing: Nylon+GF, Black
 - * Male Pin: Copper Alloy, Gold Plated
 - * O-Ring: EPDM, Black
 - * Screw Nut: Nylon+GF, Black
 - * Gasket: EPDM, Black
 - * Clamp Ring: Nylon, Black
 - * Sealing Nut: Nylon, Black
 - * Seals B1 for Cable OD: $\varnothing 7.6\text{mm} \sim \varnothing 9.6\text{mm}$
 - * Seals B2 for Cable OD: $\varnothing 4.0\text{mm} \sim \varnothing 7.6\text{mm}$
 - * One Set Unassembled in One PE Bag.

UNIT:mm TOLERANCE .X ±0.25 .XX ±0.1 .XXX ±0.05 ANGLES ±1°	TITLE Middle, Assy Lock 9Pin F Conn. M Pin			<h1 style="text-align: center;">Amphenol LTW</h1> <h2 style="text-align: center;">安費諾亮泰企業股份有限公司</h2>		ITEM NO	CD-09BFMA-SL7001	DRAWN BY	SamChang	DATE	2012-04-12			
	SCALE	1:1	SIZE			A4	SHEET	1	OF	1	DWG NO	CD-09BFMA-SL7001	CHECKED BY	Jeffrey
	REV.	A	WC-REV.	A.2	: Inspection item		CUSTOMER	ALTW	APPROVED BY	Lion	DATE	2012-05-29		