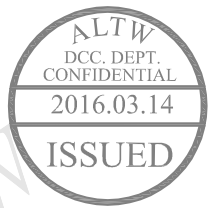
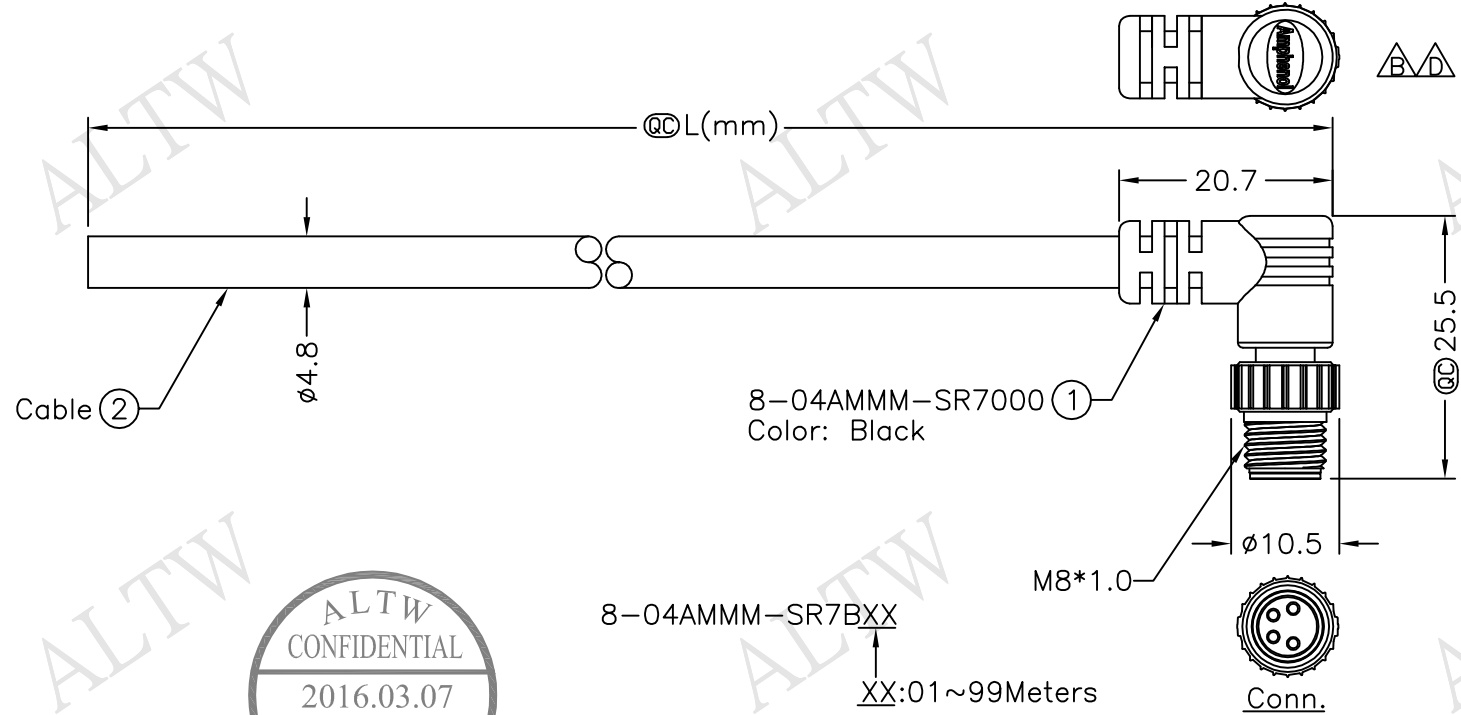
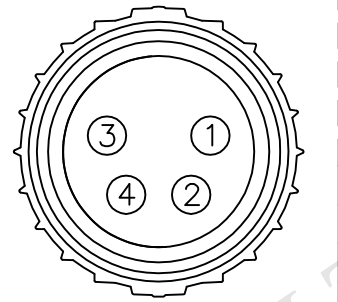


REV.	ECN NO.	DATE	SIGN	DESCRIPTION
B	LEN-780078	2007/06/06	J.De Castro	Add Projection, Change Pin-Out
C	LEN-920261~264	2009/02/06	Vicky	Update the drawing
D	LEN1630171~174	2016/03/07	Vicky	Update Logo



8-04AMMM-SR7BXX  
 XX:01~99Meters  
 01:01Meter  
 02:02Meters  
 :  
 :  
 99:99Meters  
 Cable Length(L):01~99Meters

- Note:
- \* @C Important Dimension
  - \* Waterproof Rate: IP67
  - \* Connector: PU, Black
  - \* Male Pin: Copper Alloy, Gold Plated
  - \* Cable: 22AWG\*4C+Insulation, Black, PU, OD=4.8mm
  - \* Cable Length Tolerance:
    - 01M:±40mm
    - 02M~05M:±60mm
    - 06M~10M:±100mm
    - 11M~30M:±200mm
    - 31M~99M:±500mm



Pin Assignments  
Front View

4	Black	黑	△
3	Blue	藍	△
2	White	白	△
1	Brown	棕	
Conn.	Wire Color		
	Pin Out		

UNIT:mm	
TOLERANCE	±0.5 mm

TITLE	M8 Conn		
	Cable Screw 4P M Conn M Pin		
SCALE	Free	SHEET 1	OF 1
REV.	D	SIZE	A4
		@C	:Inspection Item

**Amphenol LTW**  
 安費諾亮泰企業股份有限公司

ITEM NO	DRAWN BY	DATE
DWG NO	CHECKED BY	DATE
CUSTOMER	APPROVED BY	DATE
	Vicky	2016/03/07
8-04AMMM-SR7BXX	Rita	2016/03/07
ALTW	Lisa	2016/03/07

THIS DOCUMENT IS SUBJECT TO CHANGE WITHOUT NOTICE. IT IS CONFIDENTIAL AND A PROPERTY OF Amphenol LTW. DISCLOSURE TO THIRD PARTY HAS TO BE AUTHORIZED BY Amphenol LTW.

A B C D E F

1 2 3 4 5 6 7 8