

Style
M12 Plug, shielded
8 pin
A-coding

Ratings
Voltage: 30 V
Current: 2 A

Operating Temperature Range
-40~105 °C

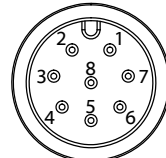
- Materials**
- ① Insulator: Polyamide 66 (PA66), UL94 HB, black
 - ② Pin: C3604 brass, gold plated
 - ③ Shell: C3604 brass, nickel plated
 - ④ Nut: C3604 brass, nickel plated
 - ⑤ O-ring: Nitrile rubber, black

Electrical Requirements
Dielectric strength: 1 min @ 500 Vac
Insulation resistance: 100 MΩ @ 500 Vdc
Contact resistance: 10 mΩ or less

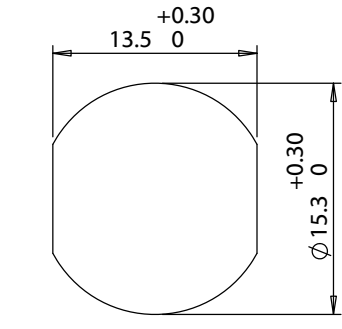
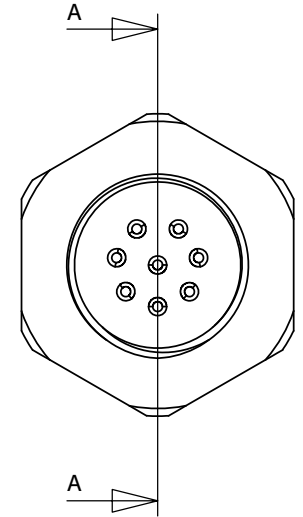
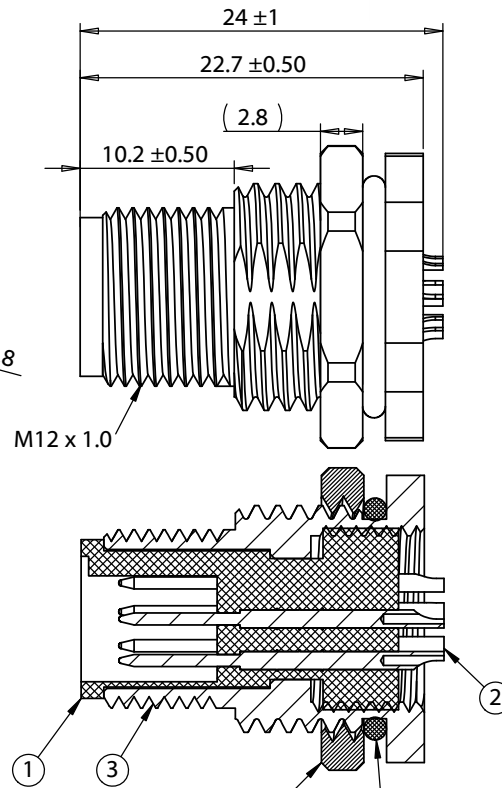
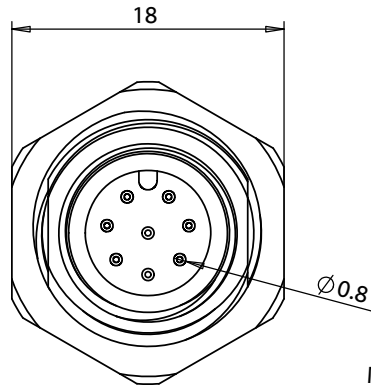
Mechanical Requirements
Life cycle: 500 mating cycles minimum

Environmental Requirements
Salt spray test: 35 °C, relative humidity 90-95%, 5% NaCl mist for 48 hrs. Wash parts after test. Maintain mechanical requirements and a contact resistance of less than 10 mΩ.
Waterproof: IP67

Assembly Info
Wire gauge: 22 AWG max



Front View
Not to Scale



Panel cutout (PG9)
Panel thickness (5.0mm max.)

SECTION A-A

| | | | | | |
|-----------|-----------|-----------------|--|--|---|
| Revision: | Date: | Description: | Prepared: | Notes: | TENSILITY tel 1.541.323.3228 800 877.670.7118 fax 1.541.323.4202 web tensility.com |
| A | 10/2/2020 | Initial release | | RoHS compliant | |
| | | | Verified: | Function test: no open, no short circuit, no intermittent | Size: Part number: A 54-00198 |
| | | | Dimensions are in millimeters. Tolerances: X: ± 0.3 mm X.X: ± 0.1 mm X.XX: ± 0.05 mm | Description: Connector, 8 pin M12 A-code plug, 12xL24mm, gold plated, panel mount, solder cup, IP67 | |
| | | | | | Scale: 2:1 |
| | | | | | Sheet 1 of 1 |