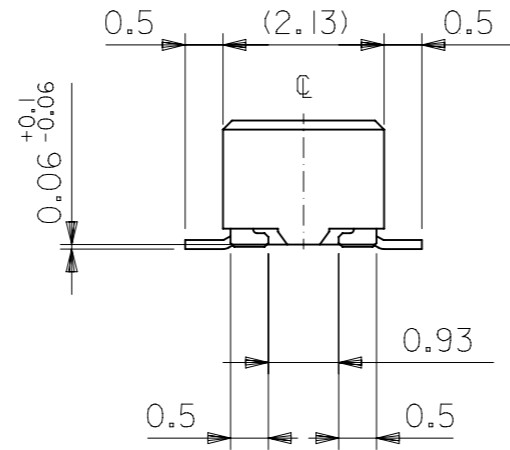
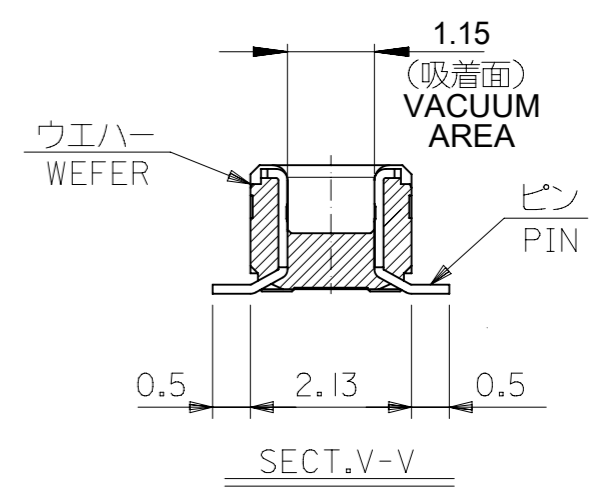


注記 NOTES:

- 使用材料 MATERIAL
 ウエハー: 液晶ポリマー (LCP) ガラス充填 UL94V-0 (黒)
 WAFER: LIQUID CRYSTAL POLYMER (GLASS FILLED)
 UL94V-0 (COLOR:BLACK)
 ピン: 黄銅 (t=0.12)
 PIN: BRASS (t=0.12)
 金具: リン青銅 (t=0.2)
 FITTING NAIL: PHOSPHOR BRONZE (t=0.2)
- メッキ仕様 PLATING
 ピン PIN
 金メッキ 0.2 マイクロメートル以上 (コンタクト部)
 GOLD 0.2MICROMETER MINIMUM (CONTACT AREA)
 金メッキ 0.4 マイクロメートル以下 (テール部)
 GOLD 0.4MICROMETER MAXIMUM (TAIL AREA)
 下地メッキ: ニッケルメッキ 1.5 マイクロメートル以上
 UNDER PLATING: NICKEL 1.5MICROMETER MINIMUM
 金具 FITTING NAIL
 錫メッキ 1.0 マイクロメートル以上
 TIN PLATING 1.0MICROMETER MINIMUM
 下地メッキ: ニッケルメッキ 1.0 マイクロメートル以上
 UNDER PLATING: NICKEL 1.0MICROMETER MINIMUM



- (全極数/2) = 偶数の場合に適用。
 APPLY FOR (CIRCUIT/2)=EVEN.
- 嵌合相手: 51338シリーズ (嵌合高さ = 2.0mm) 及び
 500913シリーズ (嵌合高さ = 2.3mm)
 MATE WITH: 51338 SERIES (HEIGHT = 2.0mm) AND
 500913 SERIES (HEIGHT = 2.3mm)
- テール平坦度は、0.08以下
 テール及び金具の平坦度は、0.1以下
 TAIL COPLANARITY TO BE 0.08MAXIMUM
 TAIL AND FITTING NAIL
 COPLANARITY TO BE 0.1MAXIMUM
- ELV 及び RoHS 適合品
 ELV AND RoHS COMPLIANT.



17.2	15.6	18.0	501745-0801	80
15.2	13.6	16.0	501745-0701	70
13.2	11.6	14.0	501745-0601	60
12.0	10.4	12.8	501745-0541	54
11.2	9.6	12.0	501745-0501	50
9.2	7.6	10.0	501745-0401	40
7.2	5.6	8.0	501745-0301	30
3.6	2.0	4.4	501745-9901	12
C	B	A	EMBOSSED PACKAGE	CKT.
			ORDER NO. オーダー番号	
			CONNECTOR SERIES No.	501745-***0

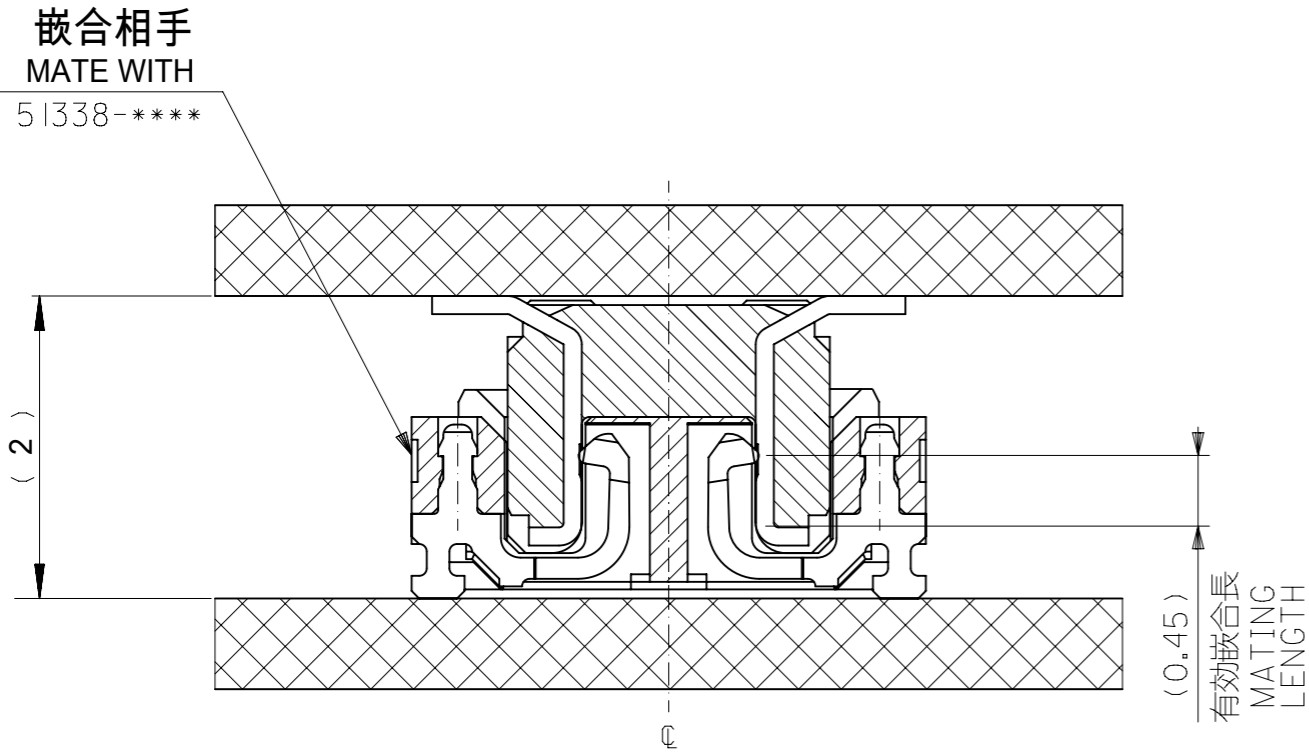
THIS DRAWING CONTAINS INFORMATION THAT IS PROPRIETARY TO MOLEX ELECTRONIC TECHNOLOGIES, LLC AND SHOULD NOT BE USED WITHOUT WRITTEN PERMISSION

DIMENSION UNITS	SCALE	CURRENT REV DESC:	molex		
mm	NTS				
GENERAL TOLERANCES (UNLESS SPECIFIED)			0.4 B-TO-B CONN. H = 2.0 / 2.3 J-BEND PLUG		
ANGULAR TOL ± 3.0°			PRODUCT CUSTOMER DRAWING		
4 PLACES	±	EC NO: 739909	DOCUMENT NUMBER	DOC TYPE	DOC PART
3 PLACES	±	DRWN: RAJMOK	SD-501745-001	PSD	001
2 PLACES	±	CHK'D: HSHIMUYAMA	REVISION		J
1 PLACE	±	APPR: YNAITO			
0 PLACES	±	INITIAL REVISION:			
DRAFT WHERE APPLICABLE MUST REMAIN WITHIN DIMENSIONS			DRWN: KSAITO01		
THIRD ANGLE PROJECTION			APPR: NUKITA		
DRAWING			SERIES	MATERIAL NUMBER	CUSTOMER
A3-SIZE			501745	SEE TABLE	GENERAL MARKET
SHEET NUMBER			1 OF 2		

GENERAL TOLERANCES (UNLESS SPECIFIED)

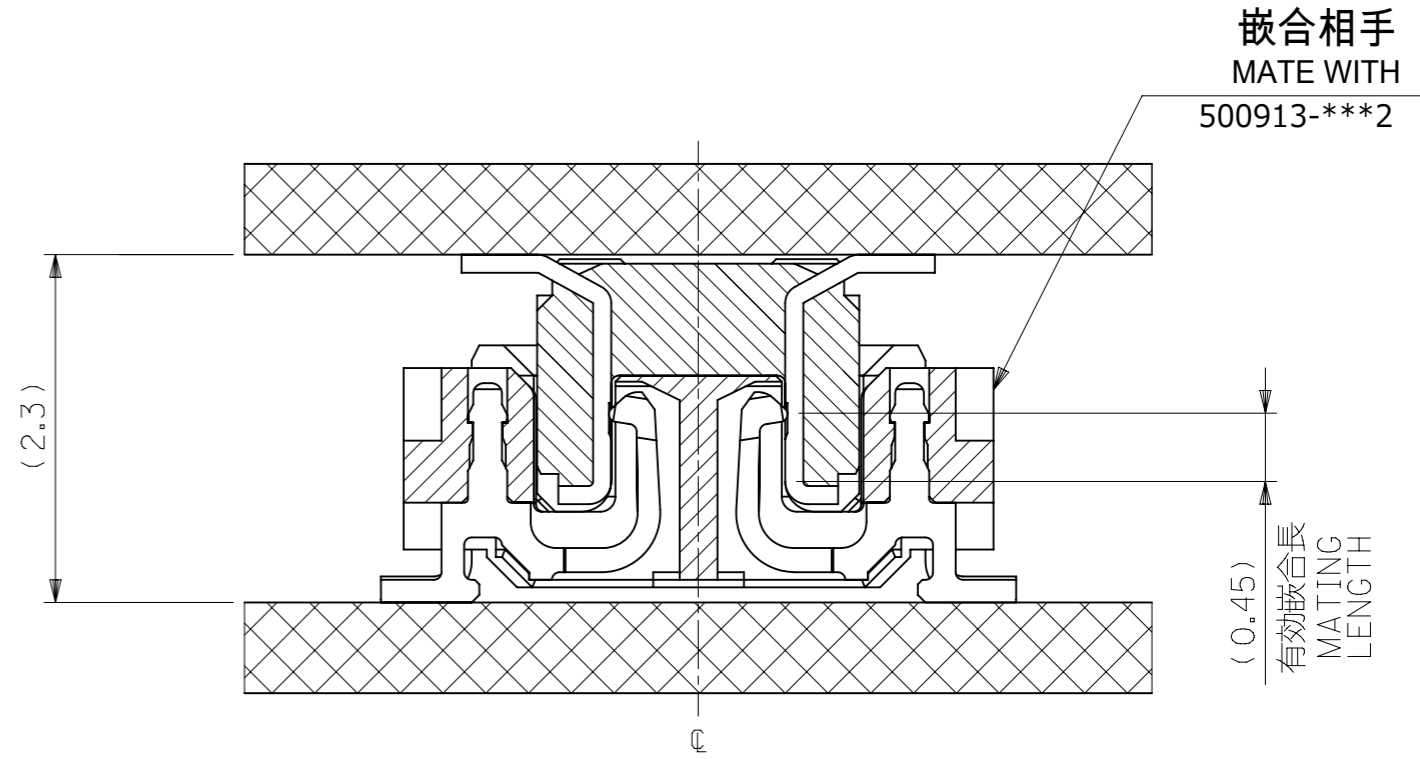
10 UNDER	±0.2
10 OVER 30 UNDER	±0.25
30 OVER	±0.3

MATE : 501745 WITH 51338

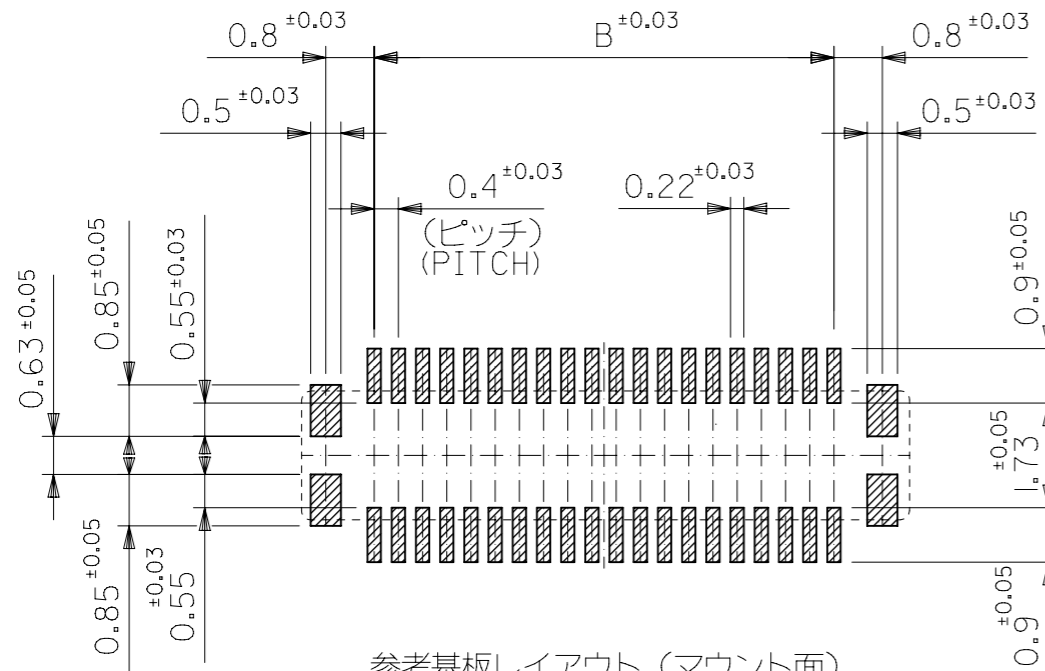


嵌合断面図 (参考)
MATED DRAWING (REFERENCE)

MATE : 501745 WITH 500913



嵌合断面図 (参考)
MATED DRAWING (REFERENCE)



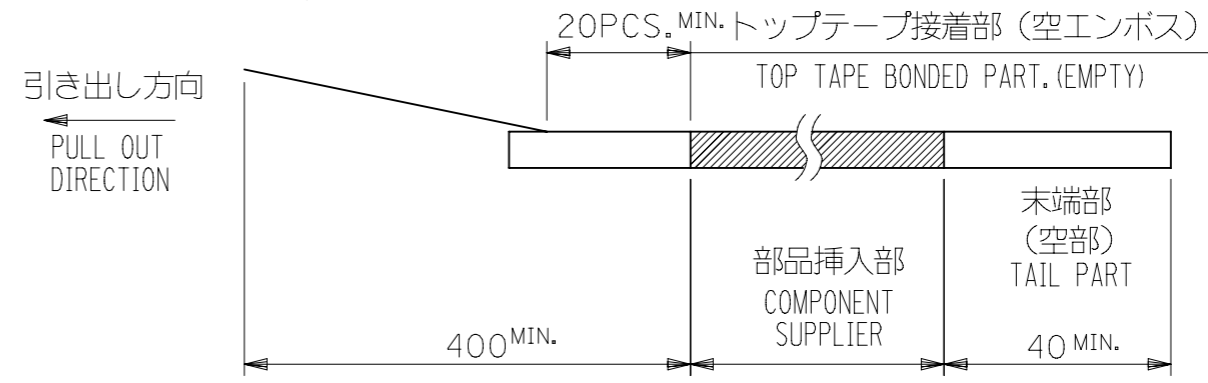
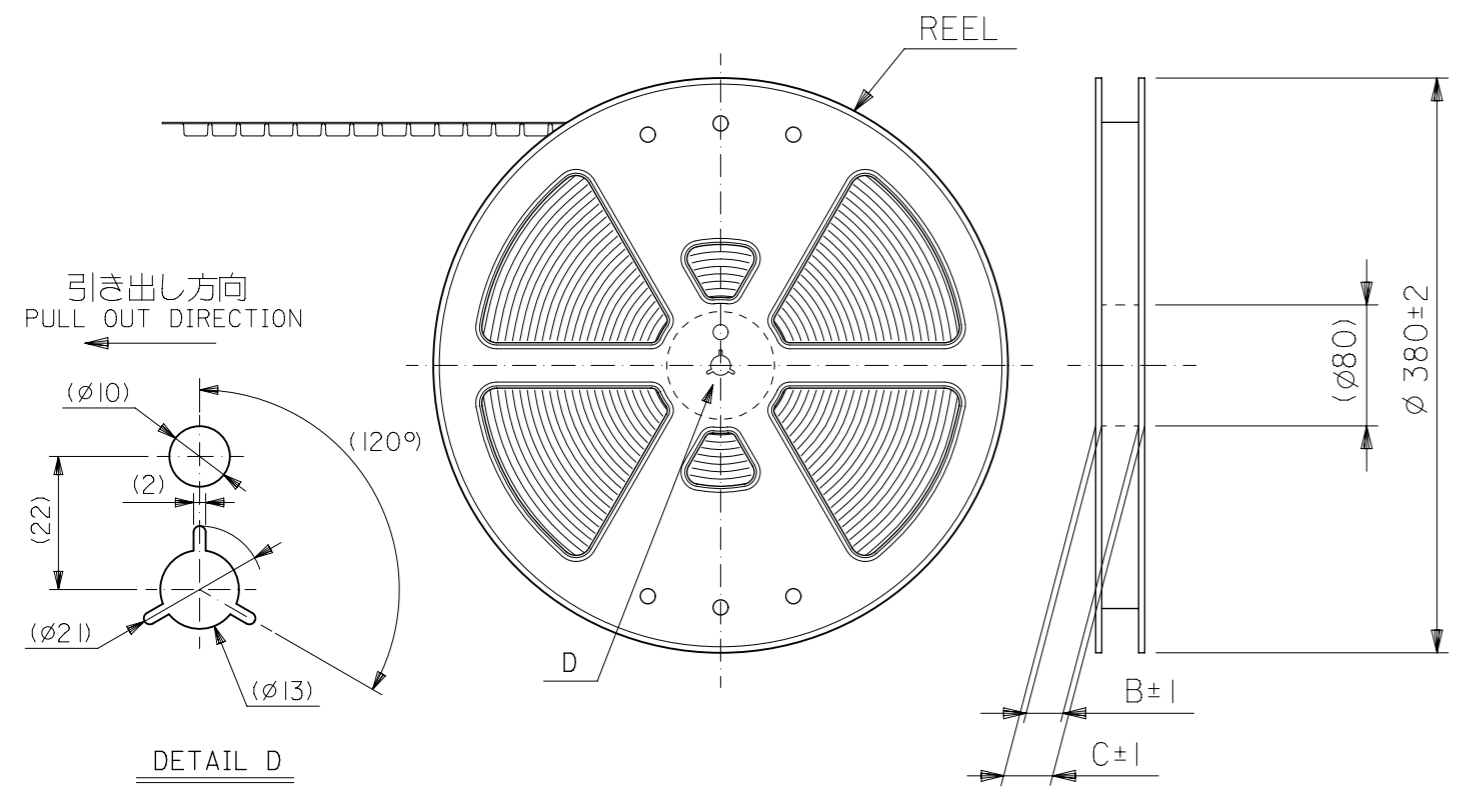
参考基板レイアウト (マウント面)
P.C.BOARD PATTERN DIMENSION.
(REFERENCE)
(MOUNTING AREA)

GENERAL TOLERANCES (UNLESS SPECIFIED)	
10 UNDER	±0.2
10 OVER 30 UNDER	±0.25
30 OVER	±0.3

THIS DRAWING CONTAINS INFORMATION THAT IS PROPRIETARY TO MOLEX ELECTRONIC TECHNOLOGIES, LLC AND SHOULD NOT BE USED WITHOUT WRITTEN PERMISSION		CURRENT REV DESC:		CONNECTOR SERIES No. 501745-***0	
DIMENSION UNITS	SCALE				
mm	NTS				
GENERAL TOLERANCES (UNLESS SPECIFIED)		0.4 B-TO-B CONN. H = 2.0 / 2.3 J-BEND PLUG			
ANGULAR TOL ± 3.0°		PRODUCT CUSTOMER DRAWING			
4 PLACES ±	EC NO: 739909	DRWN: RAJMOK		2023/02/21	
3 PLACES ±	CHK'D: HSHIMOMYAMA	APPR: YNAITO		2023/02/23	
2 PLACES ±	INITIAL REVISION:	DRWN: KSAITO01		2007/03/06	
1 PLACE ±	DRWN: NUKITA	APPR: NUKITA		2007/03/06	
0 PLACES ±	DRAFT WHERE APPLICABLE MUST REMAIN WITHIN DIMENSIONS	THIRD ANGLE PROJECTION	DRAWING	SERIES	MATERIAL NUMBER
			A3-SIZE	501745	SEE SHEET-1
		CUSTOMER	SHEET NUMBER		2 OF 2
		GENERAL MARKET			

NOTES

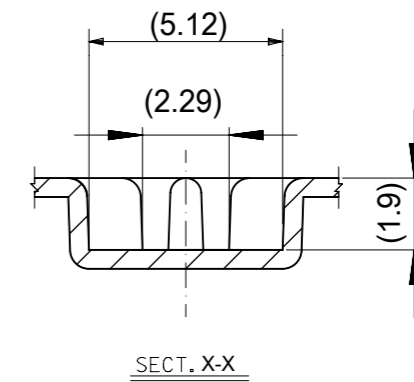
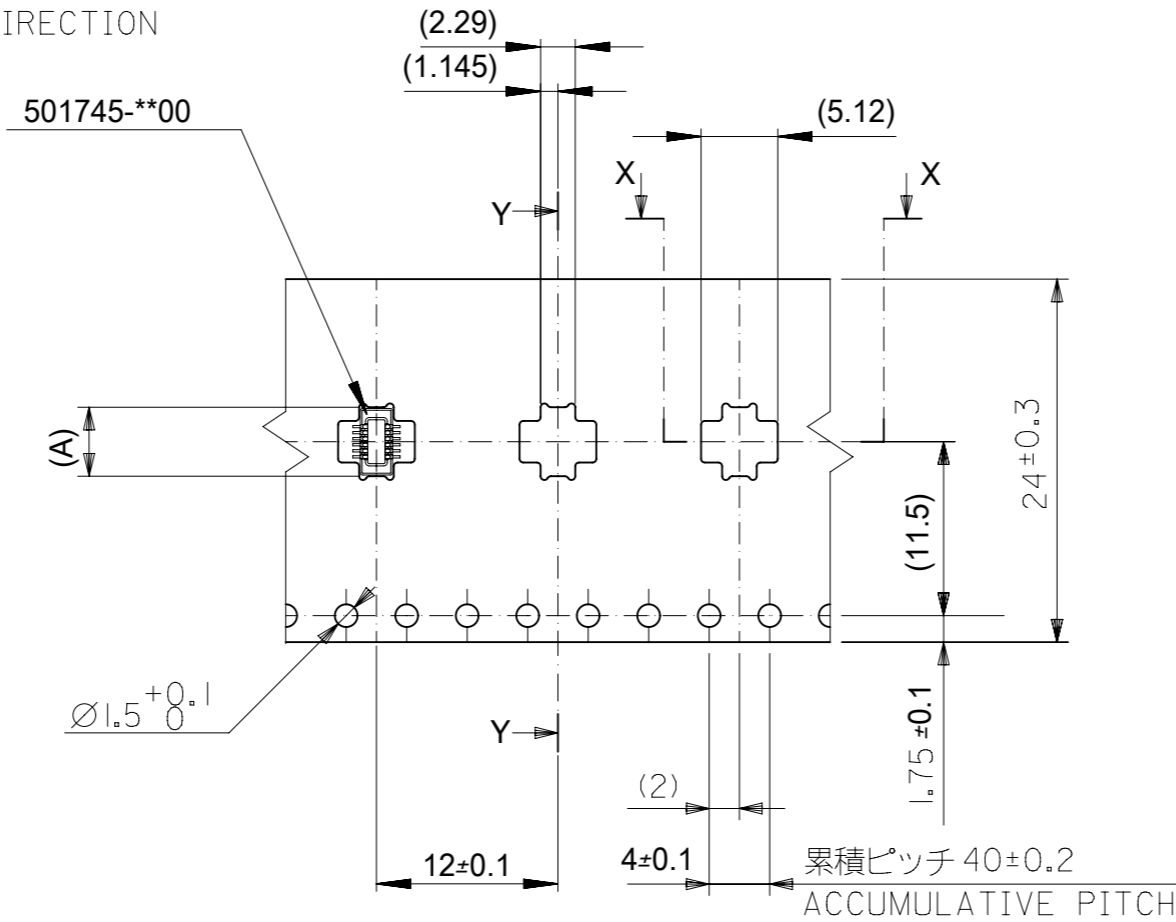
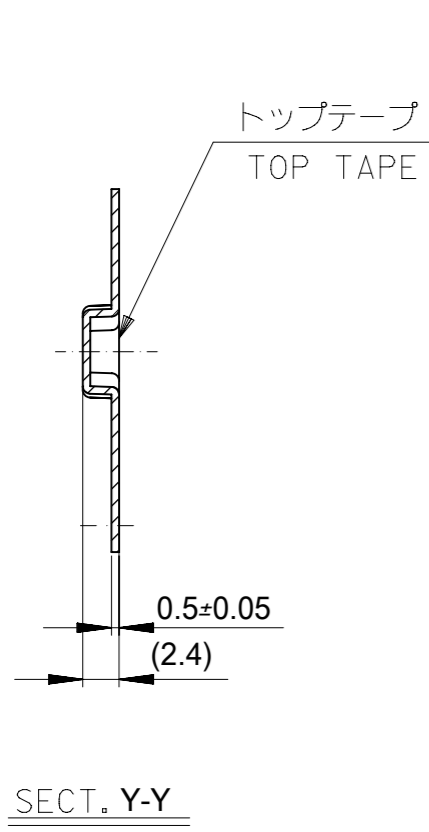
- 1. 製品詳細寸法については製品単体図面を参照下さい。
DETAIL DIMENSIONS, SEE PRODUCT DRAWING.
- 2. 梱包数量：2500個/リール
NUMBER OF CONNECTORS : 2500PCS/REEL
- 3. リードテープ長さ LEAD TAPE LENGTH



- 4. 材料 MATERIAL
 キャリアテープ (CARRIER TAPE) : ポリスチレン (POLYSTYRENE)
 トップテープ (TOP TAPE) : PET
 リール (REEL) : ポリスチレン (PS) <リサイクル材を含む>
 POLYSTYRENE (PS) <RECYCLE MATERIAL CONTAINED>
- 5. ELV 及び RoHS 適合品
 ELV AND RoHS COMPLIANT.

THIS DRAWING CONTAINS INFORMATION THAT IS PROPRIETARY TO MOLEX ELECTRONIC TECHNOLOGIES, LLC AND SHOULD NOT BE USED WITHOUT WRITTEN PERMISSION																	
<table border="1"> <tr> <th>DIMENSION UNITS</th> <th>SCALE</th> </tr> <tr> <td>mm</td> <td>NTS</td> </tr> </table>	DIMENSION UNITS	SCALE	mm	NTS	<table border="1"> <tr> <th colspan="2">GENERAL TOLERANCES (UNLESS SPECIFIED)</th> </tr> <tr> <td>4 PLACES</td> <td>±</td> </tr> <tr> <td>3 PLACES</td> <td>±</td> </tr> <tr> <td>2 PLACES</td> <td>±</td> </tr> <tr> <td>1 PLACE</td> <td>±</td> </tr> <tr> <td>0 PLACES</td> <td>±</td> </tr> </table>	GENERAL TOLERANCES (UNLESS SPECIFIED)		4 PLACES	±	3 PLACES	±	2 PLACES	±	1 PLACE	±	0 PLACES	±
DIMENSION UNITS	SCALE																
mm	NTS																
GENERAL TOLERANCES (UNLESS SPECIFIED)																	
4 PLACES	±																
3 PLACES	±																
2 PLACES	±																
1 PLACE	±																
0 PLACES	±																
<table border="1"> <tr> <th colspan="2">GENERAL TOLERANCES (UNLESS SPECIFIED)</th> </tr> <tr> <td>10^{UNDER}</td> <td>±0.2</td> </tr> <tr> <td>10^{OVER} 30^{UNDER}</td> <td>±0.25</td> </tr> <tr> <td>30^{OVER}</td> <td>±0.3</td> </tr> </table>	GENERAL TOLERANCES (UNLESS SPECIFIED)		10 ^{UNDER}	±0.2	10 ^{OVER} 30 ^{UNDER}	±0.25	30 ^{OVER}	±0.3	<table border="1"> <tr> <td>ANGULAR TOL</td> <td>± 3.0°</td> </tr> <tr> <td colspan="2">DRAFT WHERE APPLICABLE MUST REMAIN WITHIN DIMENSIONS</td> </tr> </table>	ANGULAR TOL	± 3.0°	DRAFT WHERE APPLICABLE MUST REMAIN WITHIN DIMENSIONS					
GENERAL TOLERANCES (UNLESS SPECIFIED)																	
10 ^{UNDER}	±0.2																
10 ^{OVER} 30 ^{UNDER}	±0.25																
30 ^{OVER}	±0.3																
ANGULAR TOL	± 3.0°																
DRAFT WHERE APPLICABLE MUST REMAIN WITHIN DIMENSIONS																	
CURRENT REV DESC:																	
<table border="1"> <tr> <td>EC NO: 638555</td> <td>2020/05/15</td> </tr> <tr> <td>DRWN: BKBAE</td> <td>2020/05/29</td> </tr> <tr> <td>CHK'D: SHCHU</td> <td>2020/06/01</td> </tr> <tr> <td>APPR: SHCHU</td> <td></td> </tr> </table>		EC NO: 638555	2020/05/15	DRWN: BKBAE	2020/05/29	CHK'D: SHCHU	2020/06/01	APPR: SHCHU									
EC NO: 638555	2020/05/15																
DRWN: BKBAE	2020/05/29																
CHK'D: SHCHU	2020/06/01																
APPR: SHCHU																	
<table border="1"> <tr> <td>INITIAL REVISION:</td> <td></td> </tr> <tr> <td>DRWN: K.SAITO</td> <td>2007/03/01</td> </tr> <tr> <td>APPR: N.UKITA</td> <td>2007/03/01</td> </tr> </table>		INITIAL REVISION:		DRWN: K.SAITO	2007/03/01	APPR: N.UKITA	2007/03/01										
INITIAL REVISION:																	
DRWN: K.SAITO	2007/03/01																
APPR: N.UKITA	2007/03/01																
<table border="1"> <tr> <td>THIRD ANGLE PROJECTION</td> <td>DRAWING</td> <td>SERIES</td> <td>MATERIAL NUMBER</td> <td>CUSTOMER</td> <td>SHEET NUMBER</td> </tr> <tr> <td></td> <td>A3-SIZE</td> <td>501745</td> <td>SEE CHART</td> <td>GENERAL MARKET</td> <td>1 OF 4</td> </tr> </table>		THIRD ANGLE PROJECTION	DRAWING	SERIES	MATERIAL NUMBER	CUSTOMER	SHEET NUMBER		A3-SIZE	501745	SEE CHART	GENERAL MARKET	1 OF 4				
THIRD ANGLE PROJECTION	DRAWING	SERIES	MATERIAL NUMBER	CUSTOMER	SHEET NUMBER												
	A3-SIZE	501745	SEE CHART	GENERAL MARKET	1 OF 4												
<table border="1"> <tr> <td colspan="2">molex</td> </tr> <tr> <td colspan="2">0.4 B-TO-B CONN. H = 2.0 / 2.3 J-BEND PLUG</td> </tr> <tr> <td colspan="2">PRODUCT CUSTOMER DRAWING</td> </tr> <tr> <td>DOCUMENT NUMBER</td> <td>DOC TYPE DOC PART REVISION</td> </tr> <tr> <td>SD-501745-002</td> <td>PSD 001 F</td> </tr> </table>		molex		0.4 B-TO-B CONN. H = 2.0 / 2.3 J-BEND PLUG		PRODUCT CUSTOMER DRAWING		DOCUMENT NUMBER	DOC TYPE DOC PART REVISION	SD-501745-002	PSD 001 F						
molex																	
0.4 B-TO-B CONN. H = 2.0 / 2.3 J-BEND PLUG																	
PRODUCT CUSTOMER DRAWING																	
DOCUMENT NUMBER	DOC TYPE DOC PART REVISION																
SD-501745-002	PSD 001 F																

引き出し方向
PULL OUT DIRECTION



注記)製品がポケット内に問題なく収まること。
NOTE. Pocket should contain product smoothly.

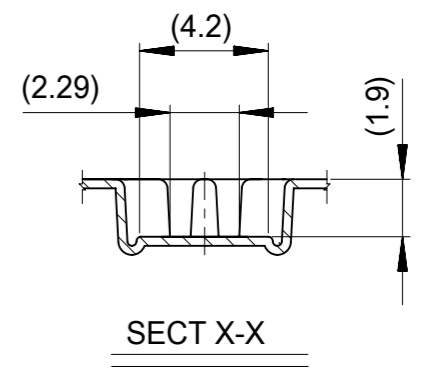
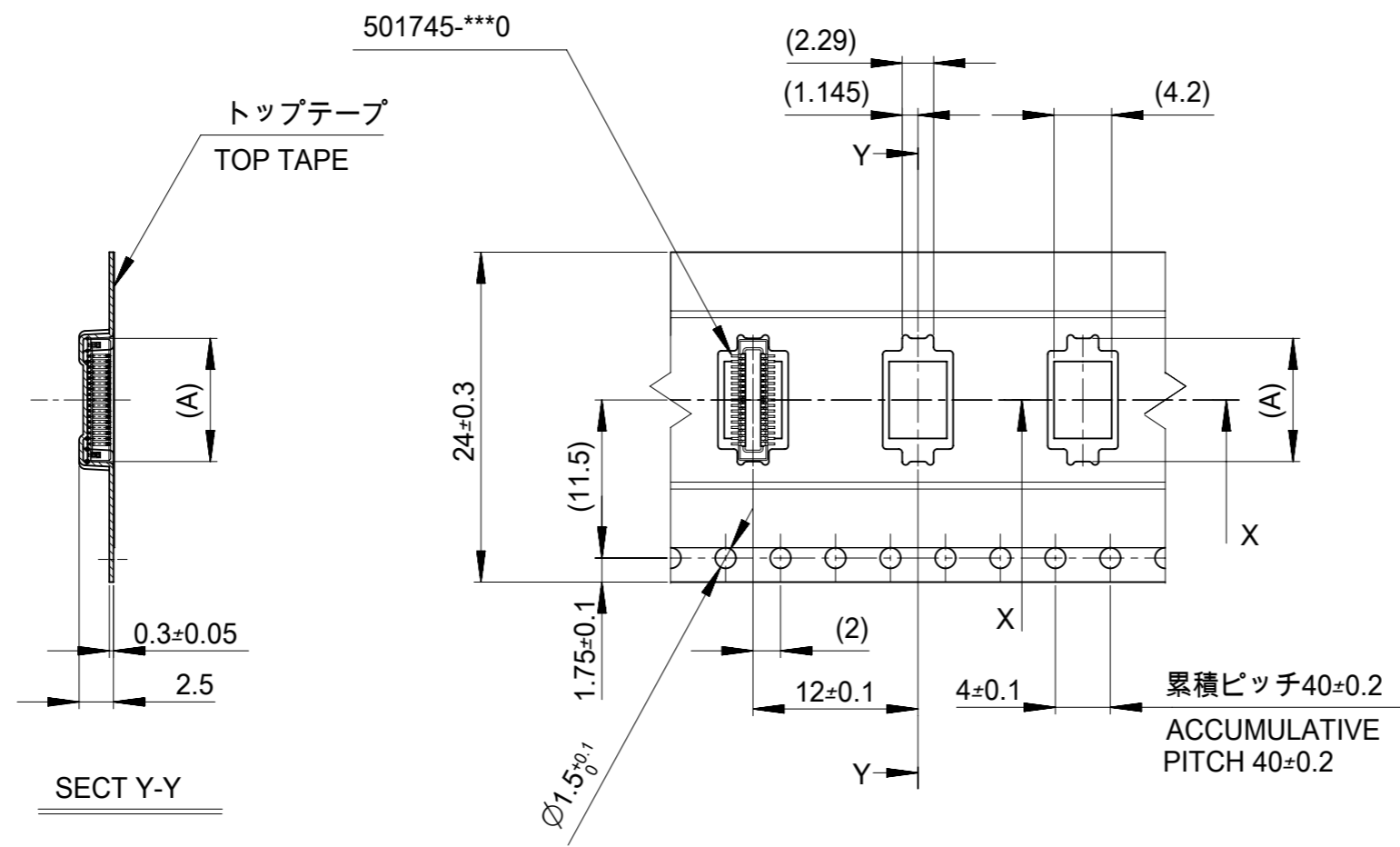
24	29.4	25.4	4.56	501745-9901	12
キャリアテープ幅 CARRIER TAPE WIDTH	C	B	(A)	オーダー番号 ORDER NO.	極数 CKT.
CONNECTOR SERIES No.				501745-***0	

THIS DRAWING CONTAINS INFORMATION THAT IS PROPRIETARY TO MOLEX ELECTRONIC TECHNOLOGIES, LLC AND SHOULD NOT BE USED WITHOUT WRITTEN PERMISSION

DIMENSION UNITS	SCALE	CURRENT REV DESC:			
mm	NTS	<p>molex</p> <p>0.4 B-TO-B CONN. H = 2.0 / 2.3 J-BEND PLUG</p> <p>PRODUCT CUSTOMER DRAWING</p> <p>DOCUMENT NUMBER: SD-501745-002 DOC TYPE: PSD DOC PART: 001 REVISION: F</p> <p>MATERIAL NUMBER: SEE CHART CUSTOMER: GENERAL MARKET SHEET NUMBER: 2 OF 4</p>			
GENERAL TOLERANCES (UNLESS SPECIFIED)					
4 PLACES	±				
3 PLACES	±				
2 PLACES	±				
1 PLACE	±	EC NO: 638555	2020/05/15		
0 PLACES	±	DRWN: BKBAE	2020/05/29		
ANGULAR TOL ± 3.0°		CHK'D: SHCHU	2020/06/01		
DRAFT WHERE APPLICABLE MUST REMAIN WITHIN DIMENSIONS		INITIAL REVISION:			
		DRWN: K.SAITO	2007/03/01		
		APPR: N.UKITA	2007/03/01		
		THIRD ANGLE PROJECTION	DRAWING	SERIES	
			A3-SIZE	501745	

GENERAL TOLERANCES (UNLESS SPECIFIED)		
10 ^{UNDER}		±0.2
10 ^{OVER}	30 ^{UNDER}	±0.25
30 ^{OVER}		±0.3

引き出し方向
PULL OUT
DIRECTION



24	29.4	25.4	14.16	501745-0601	60
			12.96	501745-0541	54
			12.16	501745-0501	50
			10.16	501745-0401	40
			8.16	501745-0301	30
キャリアテープ幅 CARRIER TAPE WIDTH			C	B	(A)
			オーダー番号 ORDER NO.	極数 CKT.	

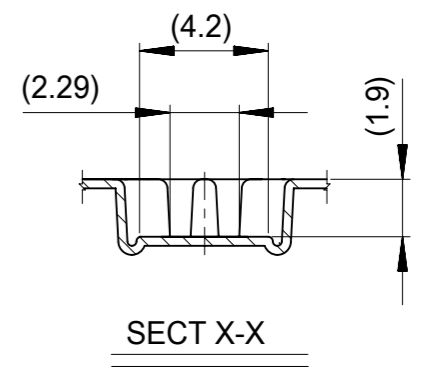
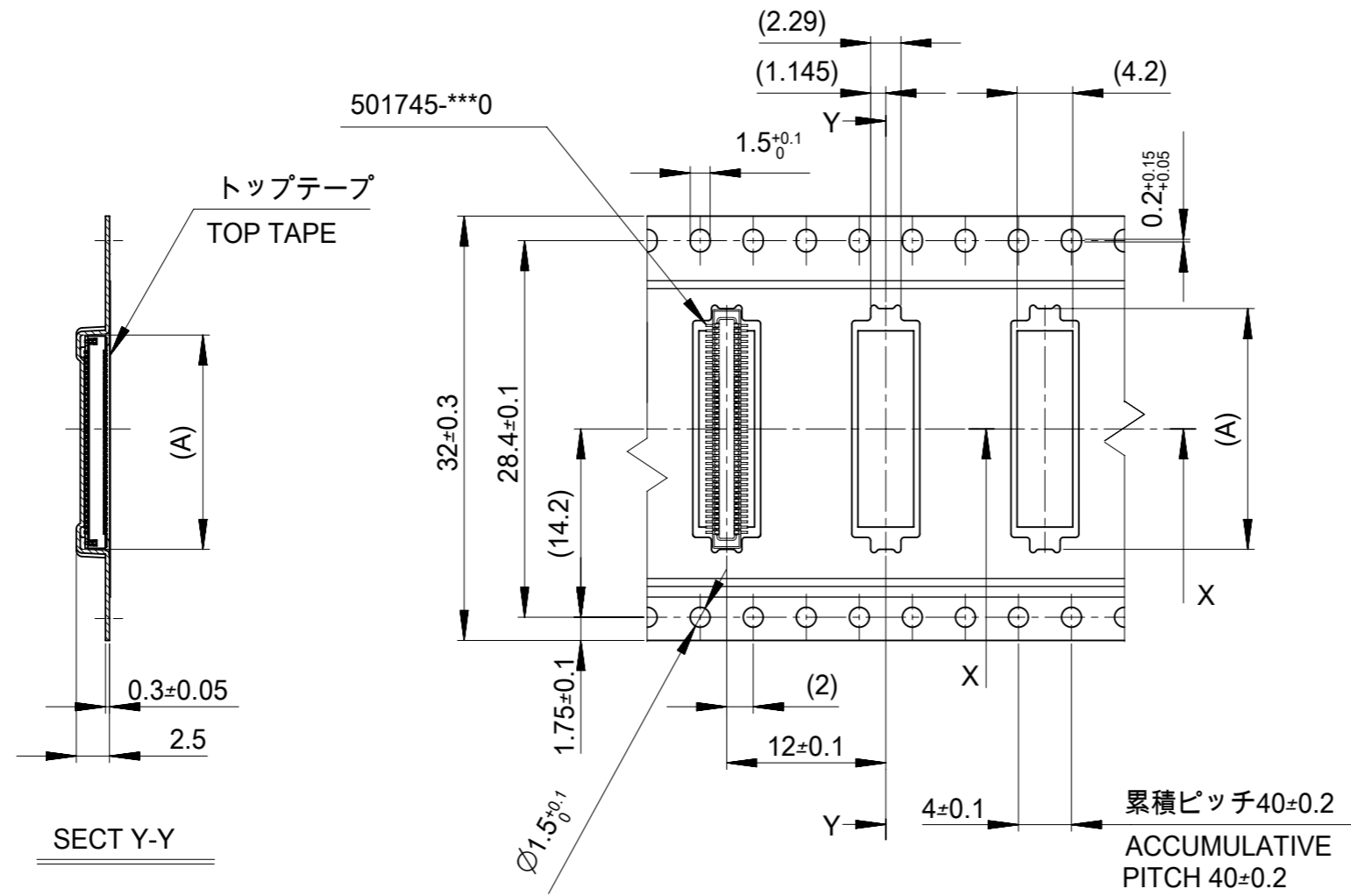
CONNECTOR SERIES No. 501745-***0

THIS DRAWING CONTAINS INFORMATION THAT IS PROPRIETARY TO MOLEX ELECTRONIC TECHNOLOGIES, LLC AND SHOULD NOT BE USED WITHOUT WRITTEN PERMISSION

DIMENSION UNITS	SCALE	CURRENT REV DESC:	molex		
mm	NTS		0.4 B-TO-B CONN. H = 2.0 / 2.3 J-BEND PLUG		
GENERAL TOLERANCES (UNLESS SPECIFIED)		EC NO: 638555	PRODUCT CUSTOMER DRAWING		
4 PLACES	±	DRWN: BKBAE	2020/05/15	DOCUMENT NUMBER	DOC TYPE
3 PLACES	±	CHK'D: SHCHU	2020/05/29	SD-501745-002	PSD
2 PLACES	±	APPR: SHCHU	2020/06/01	DOC PART	001
1 PLACE	±	INITIAL REVISION:	2007/03/01	REVISION	F
0 PLACES	±	DRWN: K.SAITO	2007/03/01		
ANGULAR TOL ± 3.0°		APPR: N.UKITA			
DRAFT WHERE APPLICABLE MUST REMAIN WITHIN DIMENSIONS		THIRD ANGLE PROJECTION	DRAWING	SERIES	MATERIAL NUMBER
			A3-SIZE	501745	SEE CHART
				CUSTOMER	GENERAL MARKET
					SHEET NUMBER
					3 OF 4

GENERAL TOLERANCES (UNLESS SPECIFIED)		
10 ^{UNDER}		±0.2
10 ^{OVER}	30 ^{UNDER}	±0.25
30 ^{OVER}		±0.3

引き出し方向
PULL OUT
DIRECTION



32	37.4	33.4	18.16	501745-0801	80
			16.16	501745-0701	70
キャリアテープ幅 CARRIER TAPE WIDTH		C	B	(A)	極数 CKT.
CONNECTOR SERIES No.					501745-***0

THIS DRAWING CONTAINS INFORMATION THAT IS PROPRIETARY TO MOLEX ELECTRONIC TECHNOLOGIES, LLC AND SHOULD NOT BE USED WITHOUT WRITTEN PERMISSION

DIMENSION UNITS	SCALE	CURRENT REV DESC:			
mm	NTS	<p>molex</p> <p>0.4 B-TO-B CONN. H = 2.0 / 2.3 J-BEND PLUG</p> <p>PRODUCT CUSTOMER DRAWING</p> <p>DOCUMENT NUMBER: SD-501745-002 DOC TYPE: PSD DOC PART: 001 REVISION: F</p> <p>MATERIAL NUMBER: SEE CHART CUSTOMER: GENERAL MARKET SHEET NUMBER: 4 OF 4</p>			
GENERAL TOLERANCES (UNLESS SPECIFIED)					
4 PLACES	±				
3 PLACES	±				
2 PLACES	±				
1 PLACE	±	EC NO: 638555	2020/05/15		
0 PLACES	±	DRWN: BKBAE	2020/05/29		
ANGULAR TOL ± 3.0°		CHK'D: SHCHU	2020/06/01		
DRAFT WHERE APPLICABLE MUST REMAIN WITHIN DIMENSIONS		APPR: SHCHU			
THIRD ANGLE PROJECTION		INITIAL REVISION:			
DRAWING		DRWN: K.SAITO	2007/03/01		
SERIES		APPR: N.UKITA	2007/03/01		

GENERAL TOLERANCES (UNLESS SPECIFIED)

10 ^{UNDER}	±0.2
10 ^{OVER} 30 ^{UNDER}	±0.25
30 ^{OVER}	±0.3