

- 1
- 2
- 3
- 4
- 5
- 6
- 7
- 8
- 9
- 10
- 11
- 12
- 13
- 14
- 15
- 16
- 17
- 18

MATERIAL

Aluminium.

CLAMPING SCREW

AISI 304 stainless steel with hexagon socket.

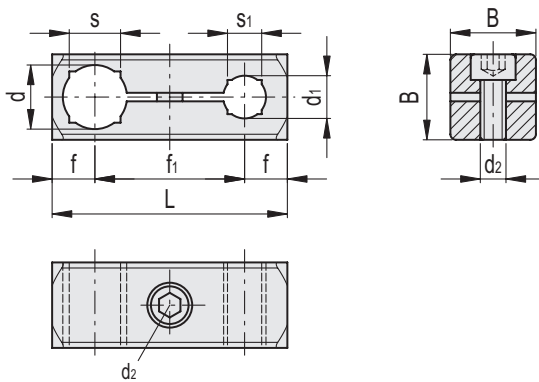
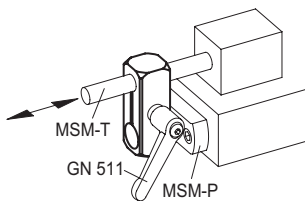
STANDARD EXECUTIONS

- **MSM-PH-MT**: natural aluminium, matte finish.
- **MSM-PH-ANB**: anodised aluminium, black colour.

KEY TO TABLE DIMENSIONS

d, d1 = hole diameter for shaft tolerance h11.

d2 = clamping screw which may be replaced by clamping kit GN 511 (see page 924).



Conversion Table	
1 mm = 0.039 inch	
d	
mm	inch
8	0.31
10	0.39
12	0.47
15	0.59
16	0.63
20	0.79

METRIC

MSM-PH-MT

MSM-PH-ANB

Code	Description	Code	Description	d	d1	d2	L	B	f	f1	s	s1	d2 Clamping kit	
500916	MSM-PH-8-8-MT	500915	MSM-PH-8-8-ANB	8	8	M4	38	14	7	24	-	-	GN 511-M4-14	16
500918	MSM-PH-10-8-MT	500917	MSM-PH-10-8-ANB	10	8	M5	44	16	8	28	8	-	GN 511-M5-16	24
500920	MSM-PH-10-10-MT	500919	MSM-PH-10-10-ANB	10	10	M5	44	16	8	28	8	8	GN 511-M5-16	23
500926	MSM-PH-12-8-MT	500925	MSM-PH-12-8-ANB	12	8	M5	45	16	8	29	10	-	GN 511-M5-16	23
500922	MSM-PH-12-10-MT	500921	MSM-PH-12-10-ANB	12	10	M5	45	16	8	29	10	8	GN 511-M5-16	22
500924	MSM-PH-12-12-MT	500923	MSM-PH-12-12-ANB	12	12	M5	45	16	8	29	10	10	GN 511-M5-16	21
500928	MSM-PH-15-10-MT	500927	MSM-PH-15-10-ANB	15	10	M6	55	20	10	35	12	8	GN 511-M6-20	45
500930	MSM-PH-15-12-MT	500929	MSM-PH-15-12-ANB	15	12	M6	55	20	10	35	12	10	GN 511-M6-20	43
500932	MSM-PH-15-15-MT	500931	MSM-PH-15-15-ANB	15	15	M6	55	20	10	35	12	12	GN 511-M6-20	40
500934	MSM-PH-16-10-MT	500933	MSM-PH-16-10-ANB	16	10	M6	55	20	10	35	-	8	GN 511-M6-20	44
500936	MSM-PH-16-12-MT	500935	MSM-PH-16-12-ANB	16	12	M6	55	20	10	35	-	10	GN 511-M6-20	42
500938	MSM-PH-16-15-MT	500937	MSM-PH-16-15-ANB	16	15	M6	55	20	10	35	-	12	GN 511-M6-20	39
500940	MSM-PH-16-16-MT	500939	MSM-PH-16-16-ANB	16	16	M6	55	20	10	35	-	-	GN 511-M6-20	38
500942	MSM-PH-20-12-MT	500941	MSM-PH-20-12-ANB	20	12	M6	66	25	12.5	41	16	10	GN 511-M6-25	79
500944	MSM-PH-20-15-MT	500943	MSM-PH-20-15-ANB	20	15	M6	66	25	12.5	41	16	12	GN 511-M6-25	75
500946	MSM-PH-20-16-MT	500945	MSM-PH-20-16-ANB	20	16	M6	66	25	12.5	41	16	-	GN 511-M6-25	74
500948	MSM-PH-20-20-MT	500947	MSM-PH-20-20-ANB	20	20	M6	66	25	12.5	41	16	16	GN 511-M6-25	66

Levelling feet and supports