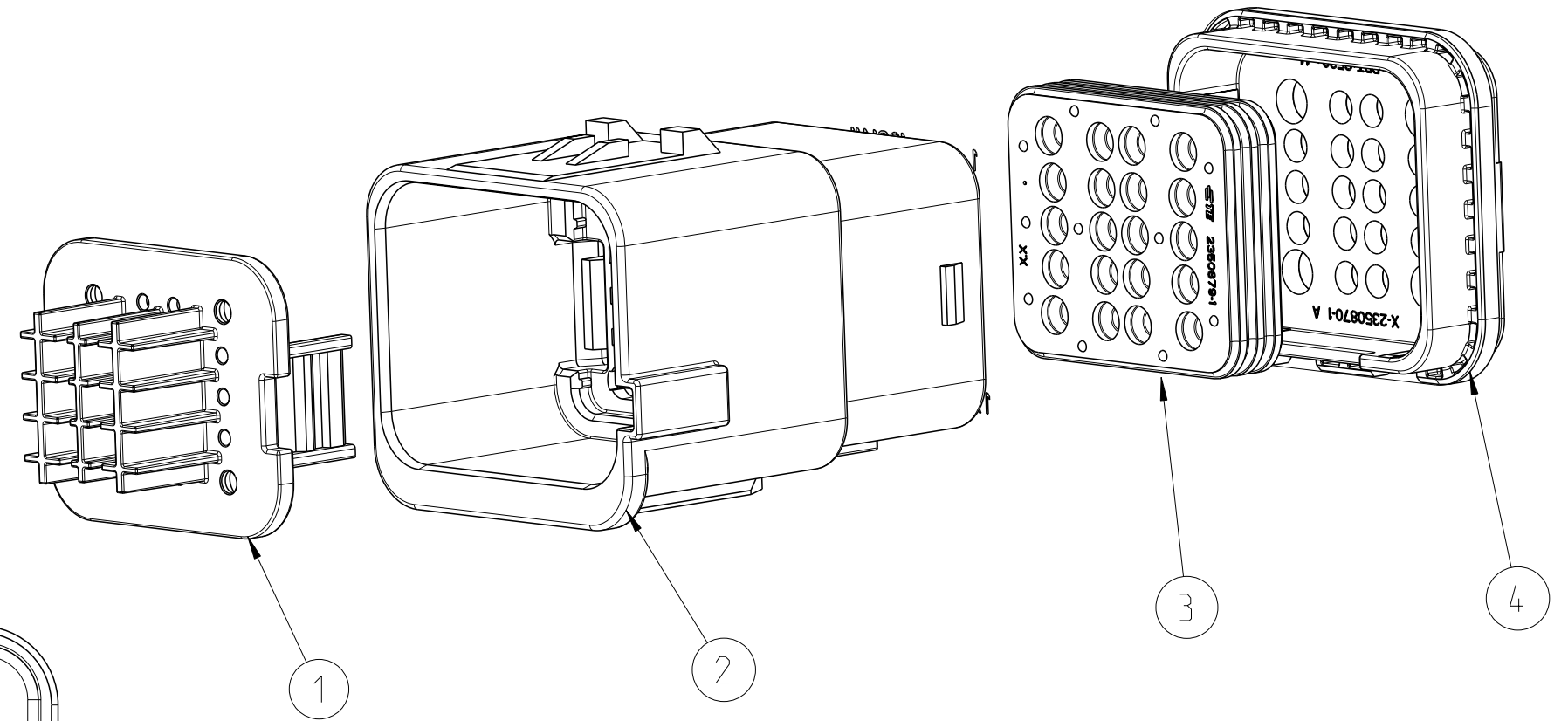
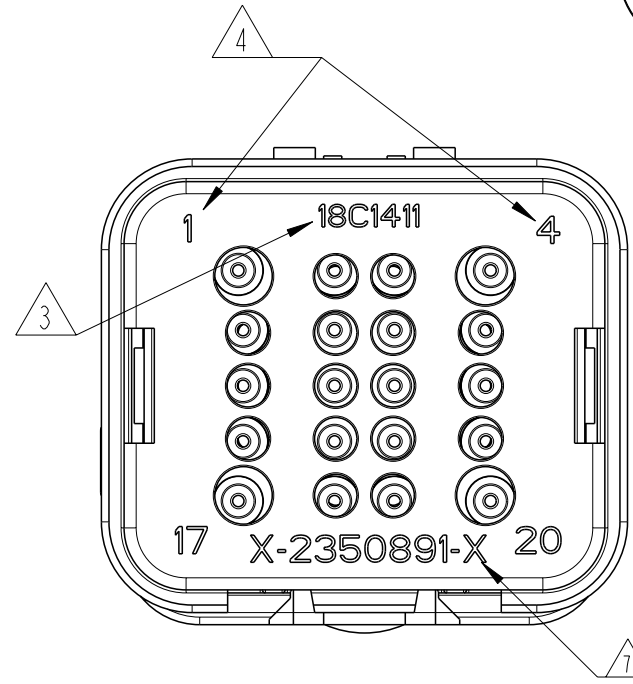
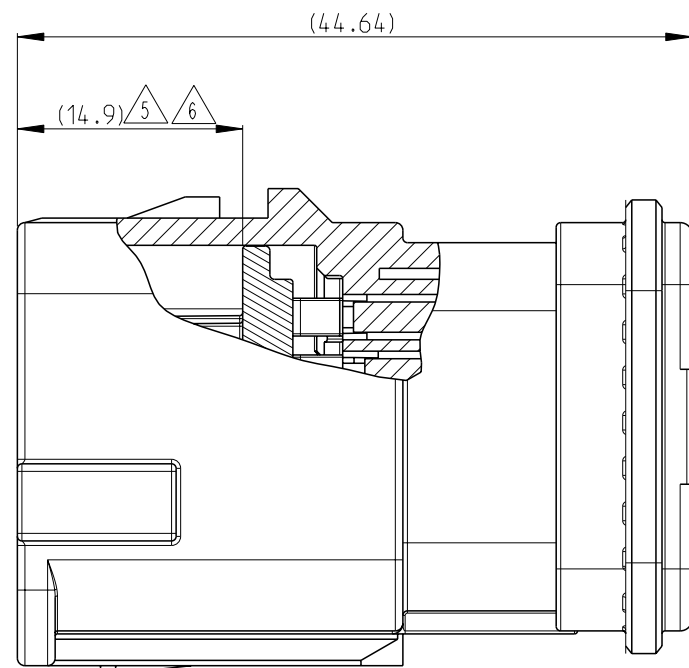
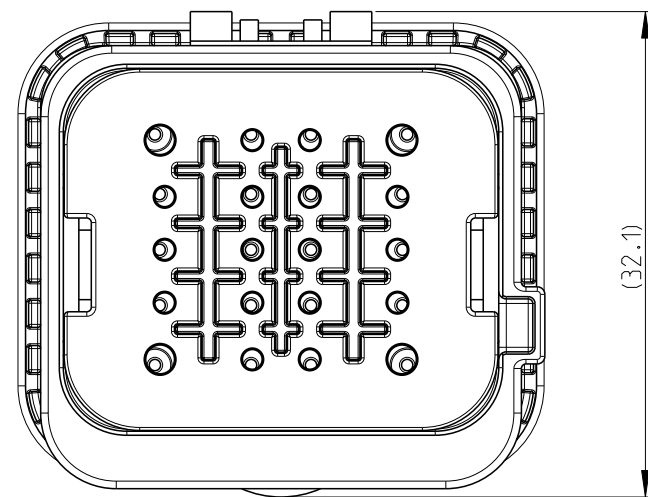
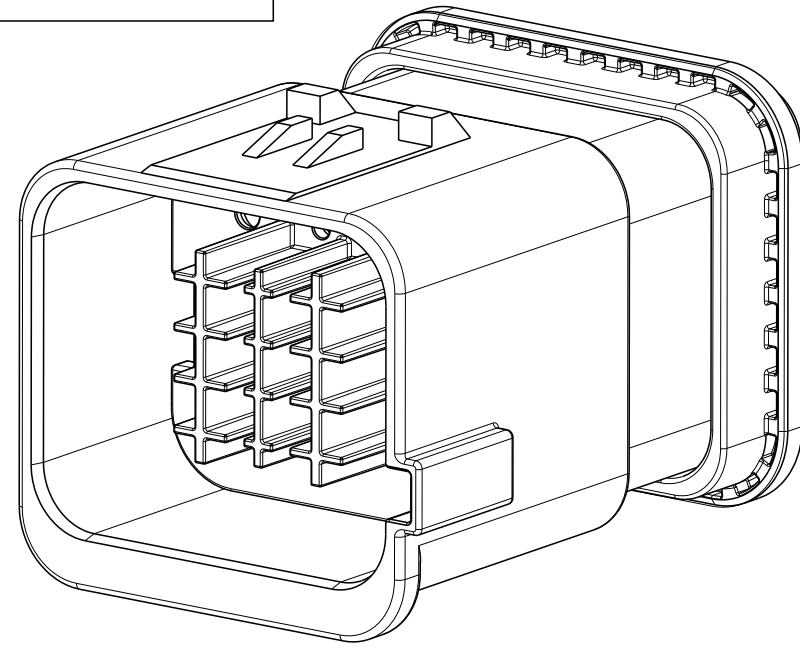
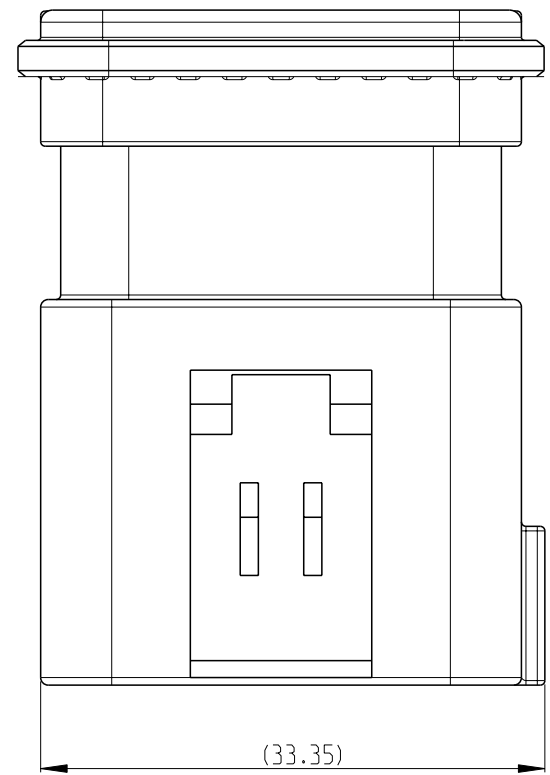


THIS DRAWING IS UNPUBLISHED. RELEASED FOR PUBLICATION
 © COPYRIGHT copyright_date BY - ALL RIGHTS RESERVED.

REVISIONS					
P	LTR	DESCRIPTION	DATE	DWN	APVD
A		INITIAL RELEASE	28MAR2019	C.W	I.Y
A1		ECR-20-000774	16JAN2020	C.W	E.J
A2		SEE ECR-21-003354	19MAR2021	L.G	I.Y



NOTES:

- 1. THIS PLUG MATES WITH TAB HOUSING ASSEMBLY PN 2350890-X, 1-2350890-X (X=1, 2, 3, 4 FOR VARIOUS CODE).
- 2. MATERIAL: HOUSING: PBT GF30, SEE PN TABLE FOR COLOR
 TPA: PBT GF30, YELLOW
 FRONT SEAL: VMQ(ORANGE)
 GROMMET:VMQ(RED)
 REAR CAP: PBT GF30, BLACK

- ⚠ DATE CODE: IDENTIFIES THE YEAR, MONTH, DAY AND HOUR OF ASSEMBLY.
 YEAR: FIRST AND SECOND DIGITS(17=2017)
 MONTH: THIRD DIGIT , EXCLUDING 1 . A=JAN, B=FEB, C=MARCH...(K=OCTOBER)
 DAY: FOURTH AND FIFTH DIGITS(14=14th DAY)
 HOUR: SIXTH AND SEVENTH DIGITS(11=11AM)
- ⚠ IDENTIFICATION FOR CABLE PINOUT.
- ⚠ TPA SEATED ON PRE-LOCK POSITION FOR DELIVERY.
- ⚠ PULL TPA TO PRE-LOCK BEFORE TERMINAL INSERTION IN CASE OF TPA BEING HIT TO END-LOCK POSITION.
- ⚠ PART NO.

- 8. REFER TO 114-151001 FOR DT SIZE 16 TERMINAL APPLICATION SPECIFICATION.
 REFER TO 114-151003 FOR DT SIZE 20 TERMINAL APPLICATION SPECIFICATION.
 APPLICABLE TERMINAL PART NUMBERS AND WIRE SIZE:

TERMINAL PN	WIRE SIZE (MM2)	INSULATION WIRES(MM)	PINOUT NUMBER
16#	0.5~2.5	∅1.40~∅3.00	1, 4, 17, 20
20#	0.5~1.5	∅1.40~∅2.40	OTHER PINS

- 9. 1-2350891-1/1-2350891-2/1-2350891-3/1-2350891-4 IS ASSEMBLED WITH SUPPORT CUSTION ONLY FOR VIBRATION ENHANCEMENT(UNSEAL APPLICATION ON PANEL CUTOUT)
- 10. 2-2350891-1/2-2350891-2/2-2350891-3/2-2350891-4 IS ASSEMBLED WITH FACIAL SEAL FOR VIBRATION AND SEAL APPLICATION ON PANEL CUTOUT

CODING A PN:2350891-1		CODING B PN:2350891-2		CODING C PN:2350891-3		CODING D PN:2350891-4	
1	-	-	-	BLUE	PBT-GF30	REAR CAP	4
-	1	-	-	GREEN			
-	-	1	-	GRAY			
-	-	-	1	BLACK			
1	1	1	1	RED	VMQ	GROMMET	3
1	-	-	-	BLUE	PBT-GF30	HOUSING, CODE D	2
-	1	-	-	GREEN	PBT-GF30	HOUSING, CODE C	
-	-	1	-	GRAY	PBT-GF30	HOUSING, CODE B	
-	-	-	1	BLACK	PBT-GF30	HOUSING, CODE A	
1	1	1	1	YELLOW	PBT-GF30	TPA	1
QTY. REQUEST PER ASSY				COLOR	MATERIAL	DESCRIPTION	ITEM NO
27.8	27.8	27.8	27.8	WEIGHT OF EACH ASSY(g)			
A	A	A	A	REVISION OF EACH ASSY NO.			
2350891-4	2350891-3	2350891-2	2350891-1	TE ASSEMBLY PN			

THIS DRAWING IS A CONTROLLED DOCUMENT.

DWN C.WAN 28MAR2019	 TE Connectivity
CHK E.JIANG 02MAR2019	
APVD L.YIN 02MAR2019	
NAME	

NTS 20POS TAB HOUSING ASSEMBLY
 DEUTSCH TERMINAL HYBRID CONNECTOR

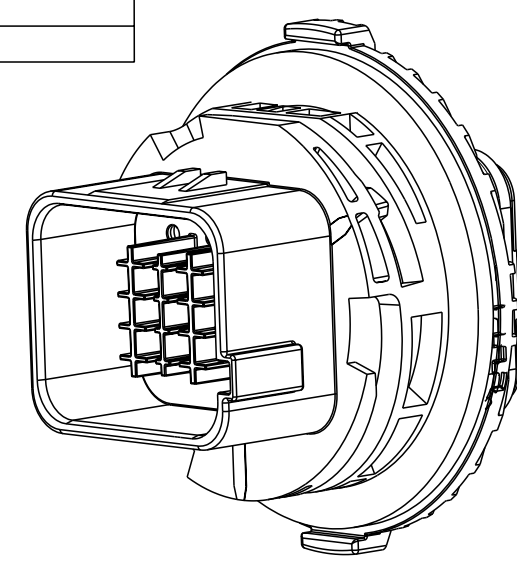
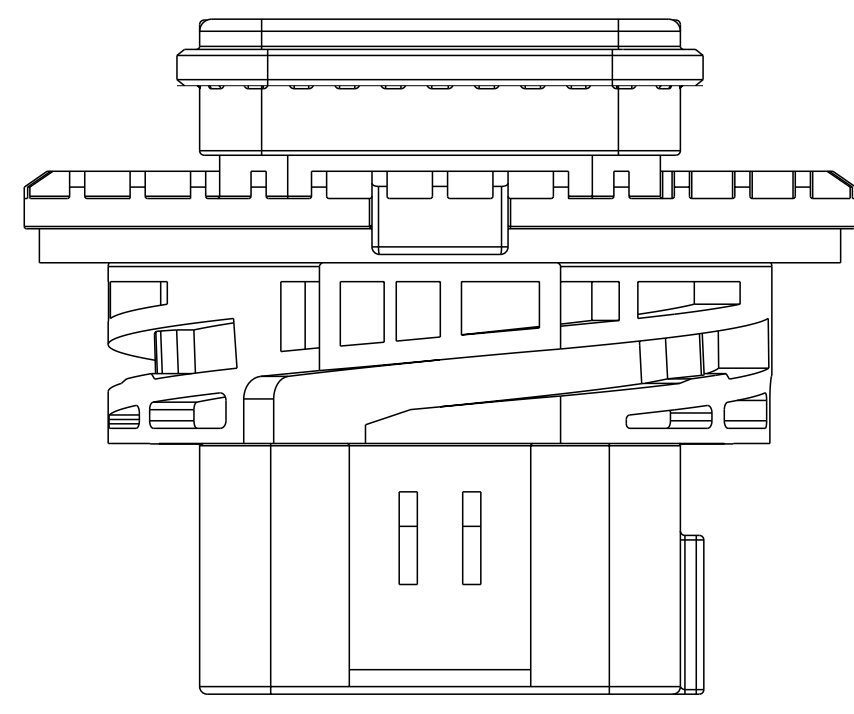
SIZE	CAGE CODE	DRAWING NO	RESTRICTED TO
A2	00779	C-2350891	-

CUSTOMER DRAWING SCALE 2:1 SHEET 1 OF 2 REV A2

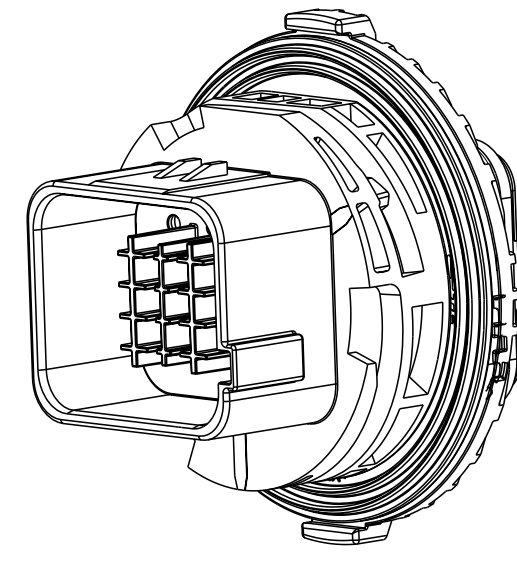
printed on 19 Mar 2021 10:52 (China Standard Time) from TE426590

THIS DRAWING IS UNPUBLISHED. RELEASED FOR PUBLICATION
COPYRIGHT copyright_date BY - ALL RIGHTS RESERVED.

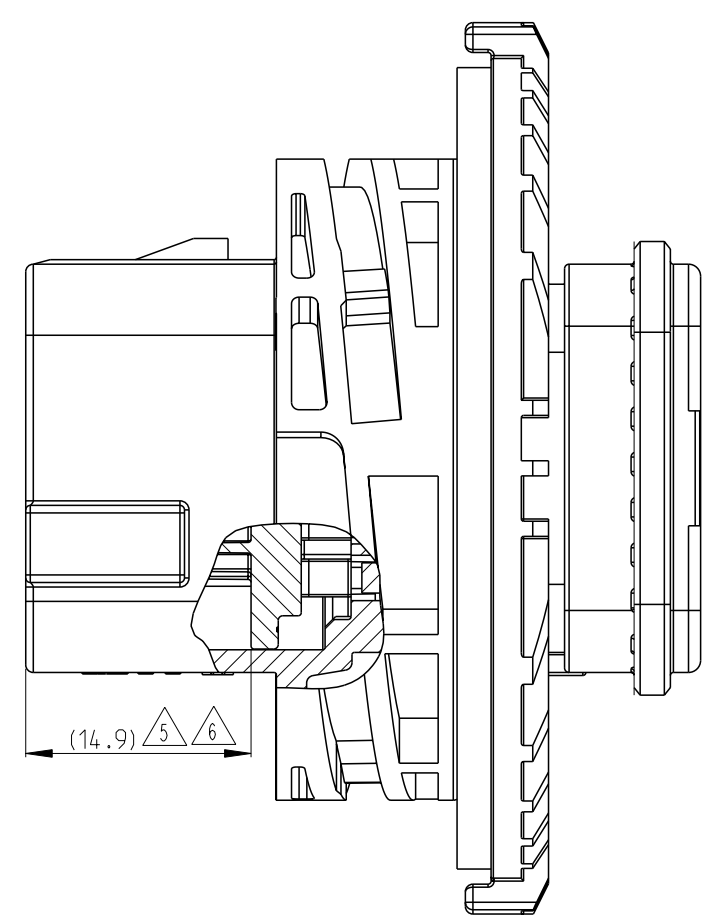
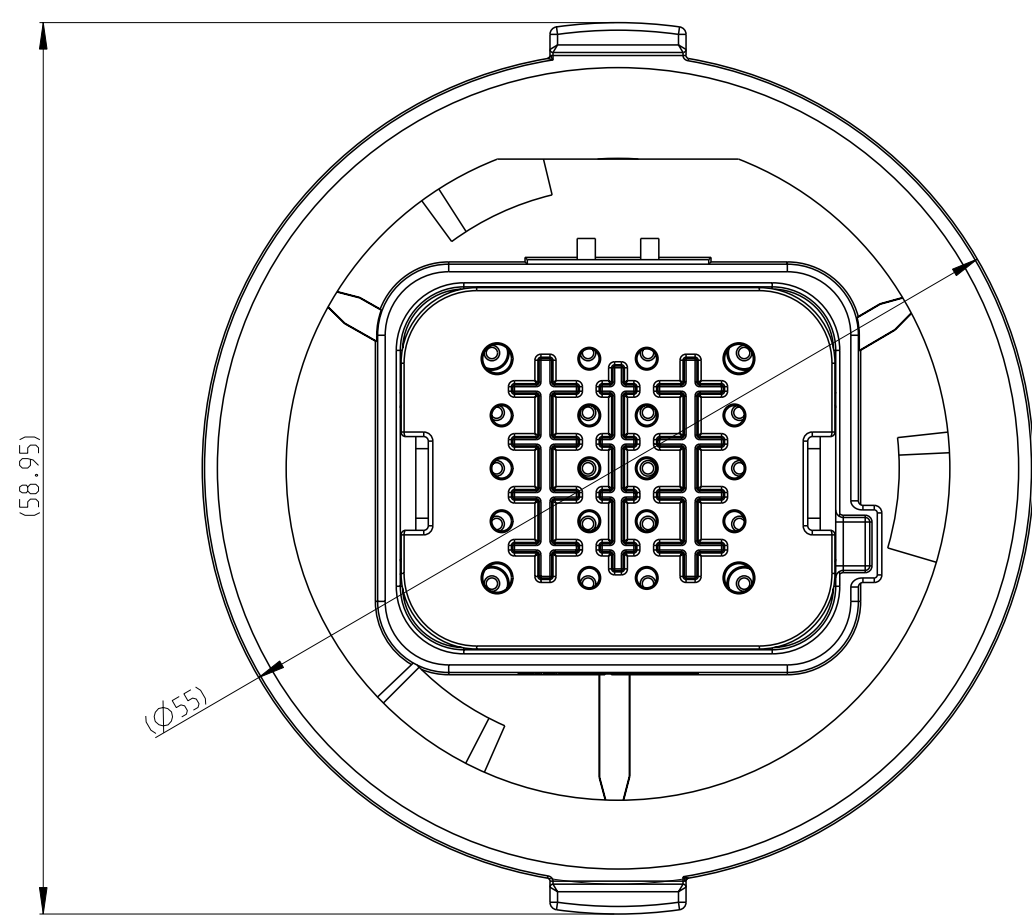
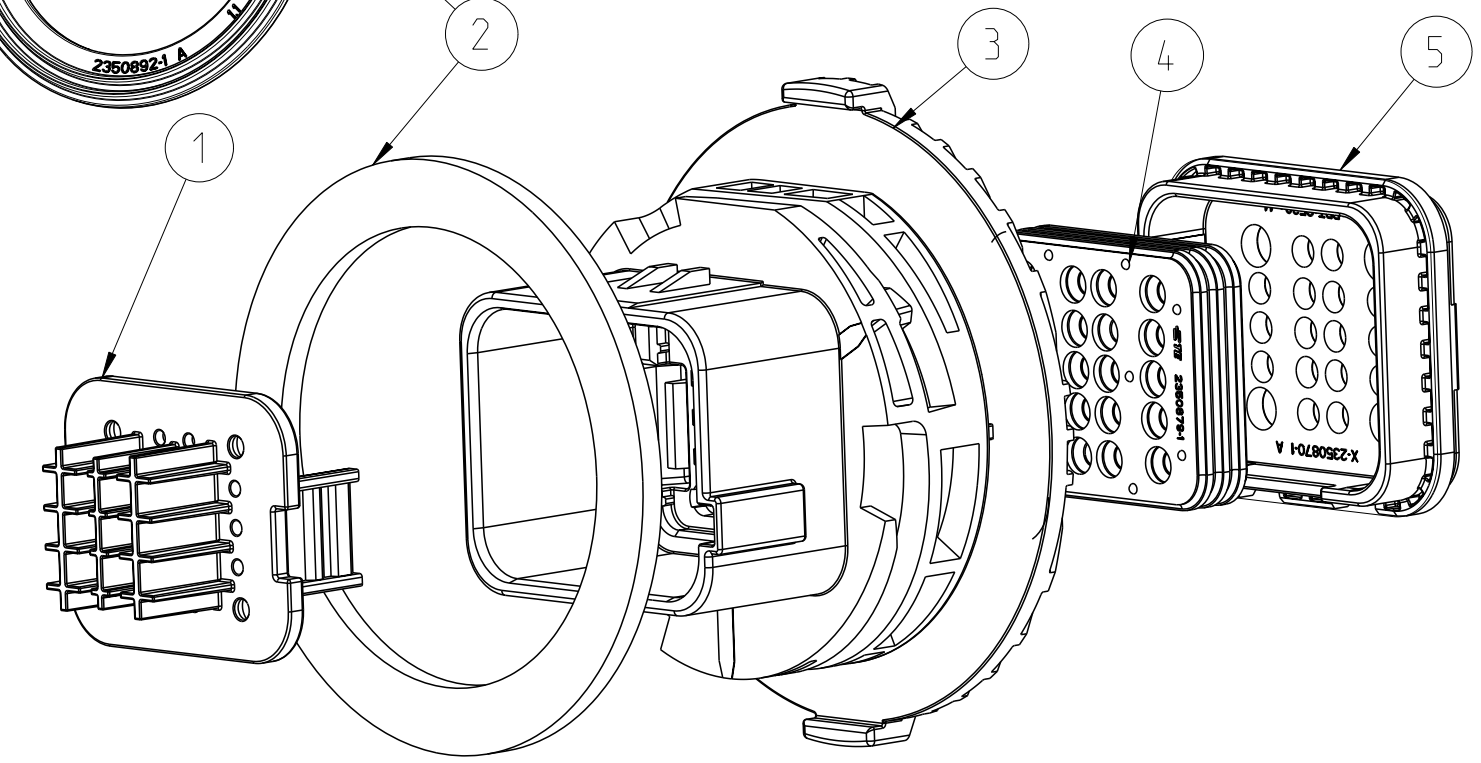
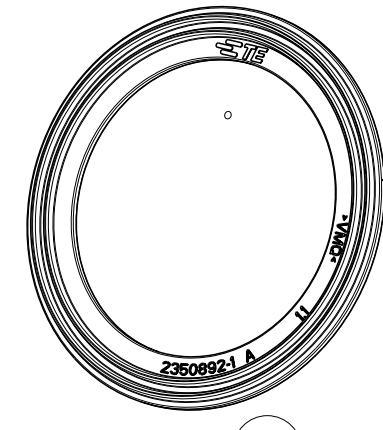
REVISIONS				
P	LTR	DESCRIPTION	DATE	APVD
		SEE SHEET 1		



CUSHION VERSION
 1-2350891-1
 1-2350891-2
 1-2350891-3
 1-2350891-4

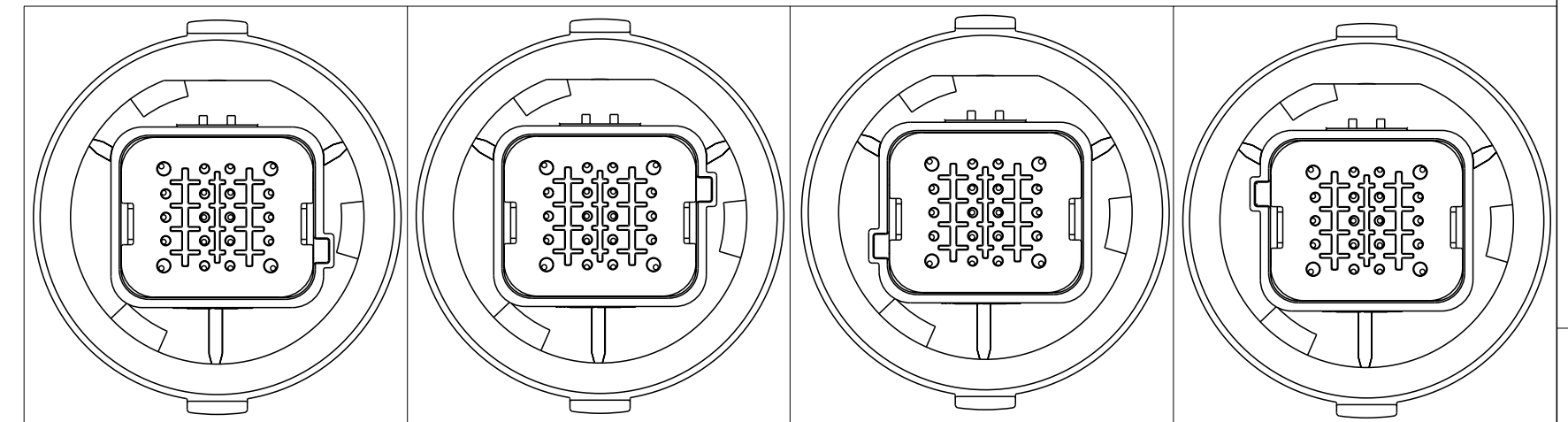


FACIAL SEAL VERSION
 2-2350891-1
 2-2350891-2
 2-2350891-3
 2-2350891-4

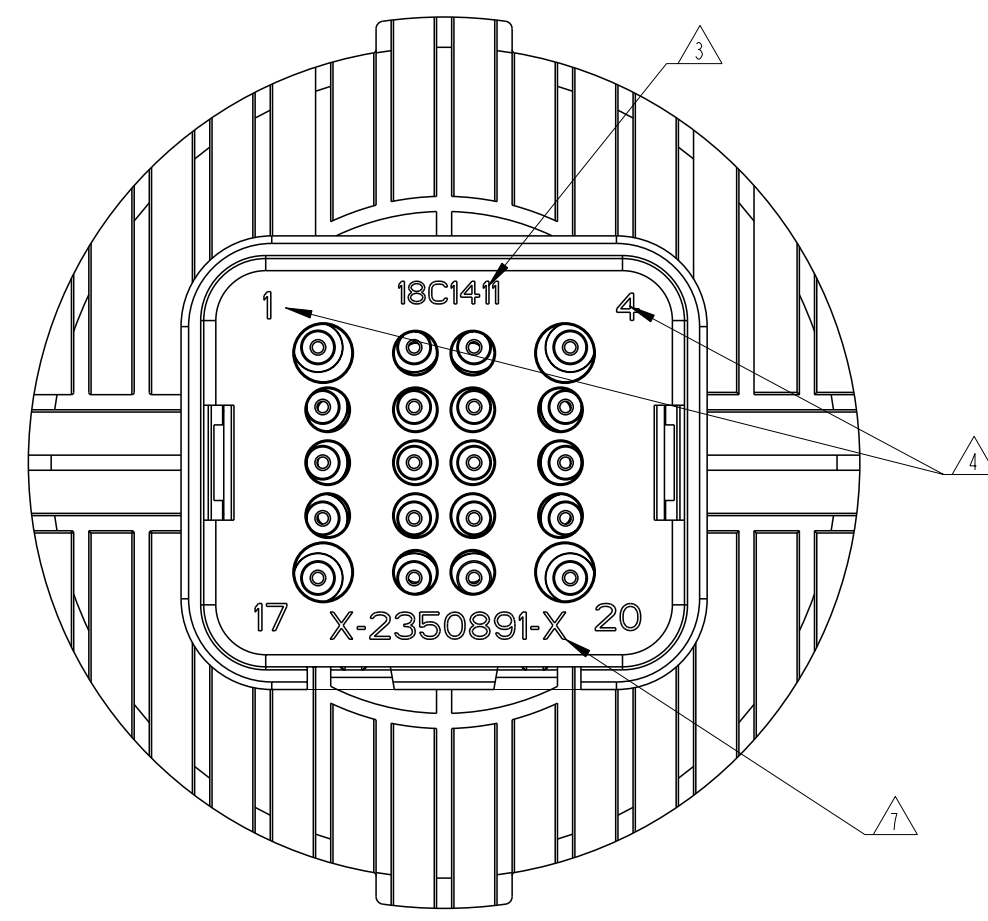
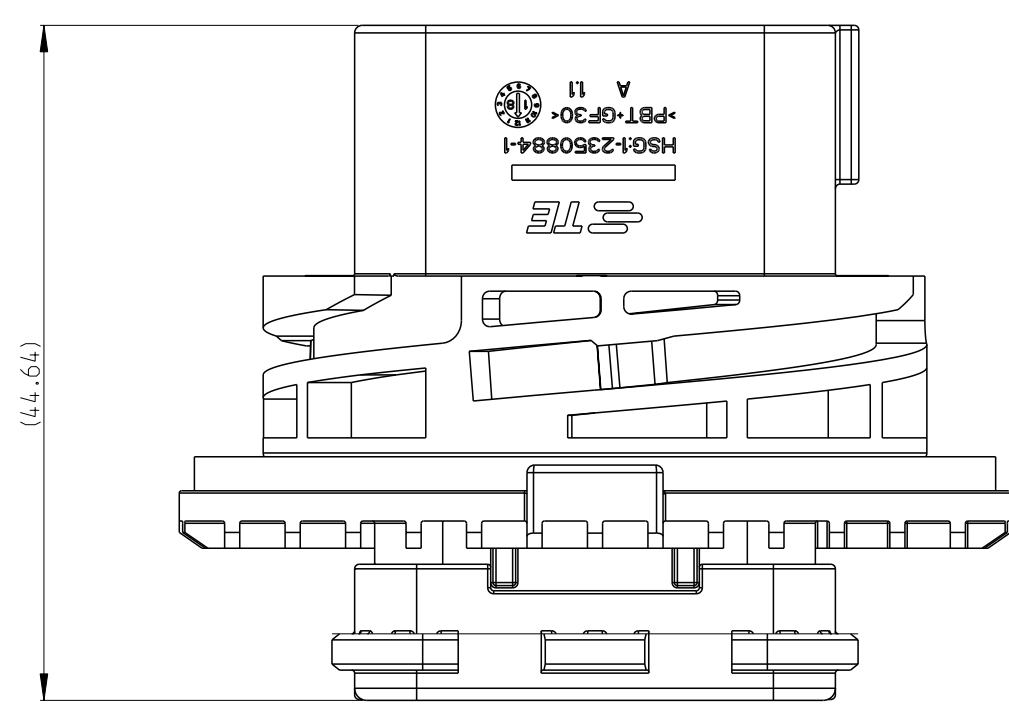


SECTION A-A

VIEW C



CODING A PN:1-2350891-1 2-2350891-1								CODING B PN:1-2350891-2 2-2350891-2								CODING C PN:1-2350891-3 2-2350891-3								CODING D PN:1-2350891-4 2-2350891-4																																																																																																																									
1	-	-	-	1	-	-	-	BLUE	PBT-GF30	REAR CAP	5	1	-	-	-	1	-	-	-	BLUE	VMQ	GROMMET	4	1	-	-	-	1	-	-	-	BLUE	PBT-GF30	HOUSING.CODE D	3	-	1	-	-	-	1	-	-	GREEN	PBT-GF30	HOUSING.CODE C	2	-	-	1	-	-	-	1	-	GRAY	PBT-GF30	HOUSING.CODE B	1	-	-	-	1	-	-	-	1	BLACK	PBT-GF30	HOUSING.CODE A	1	1	1	1	1	1	1	1	1	RED	EPDM	CUSHION	1	1	-	-	-	1	1	1	1	BLACK	VMQ	FACIAL SEAL	1	1	1	1	1	1	1	1	1	RED	PBT-GF30	TPA	1																																						
-	1	-	-	-	1	-	-	GREEN			VMQ	FACIAL SEAL	1	-	1	-	-	-	1	-			-	GREEN	PBT-GF30	HOUSING.CODE C	3	-	-	1	-	-				-	1	-	GRAY	PBT-GF30	HOUSING.CODE B	2	-	-				-	1	-	-	-	1	BLACK	PBT-GF30	HOUSING.CODE A				1	1	1	1	1	1	1	1	1				RED	EPDM	CUSHION	1	1	-	-	-	1				1	1	1	BLACK	VMQ	FACIAL SEAL	1	1	1				1	1	1	1	1	1	RED	PBT-GF30	TPA				1																																					
42.4	42.4	42.4	42.4	42.7	42.7	42.7	42.7	QTY. REQUEST PER ASSY						COLOR	MATERIAL	DESCRIPTION	ITEM NO	42.4	42.4	42.4			42.4	42.7				42.7	42.7	42.7	WEIGHT OF EACH ASSY(g)					42.4	42.4	42.4	42.4				42.7	42.7				42.7	42.7	REVISION OF EACH ASSY NO.				42.4							42.4	42.4	42.4	42.7	42.7	42.7	42.7	TE ASSEMBLY PN				42.4				42.4	42.4	42.4	42.7	42.7				42.7	42.7	THIS DRAWING IS A CONTROLLED DOCUMENT.					DWN C.WAN 02MAR2019	02MAR2019				NAME				02MAR2019	02MAR2019	PRODUCT SPEC							108-101662	APPLICATION SPEC				-	-	-	-	WEIGHT				-	-	-	-	CUSTOMER DRAWING				SCALE 2:1	SHEET 2 OF 2	REV A2													



VIEW C

printed on 19 Mar 2021 10:52 (China Standard Time) from TEL26590