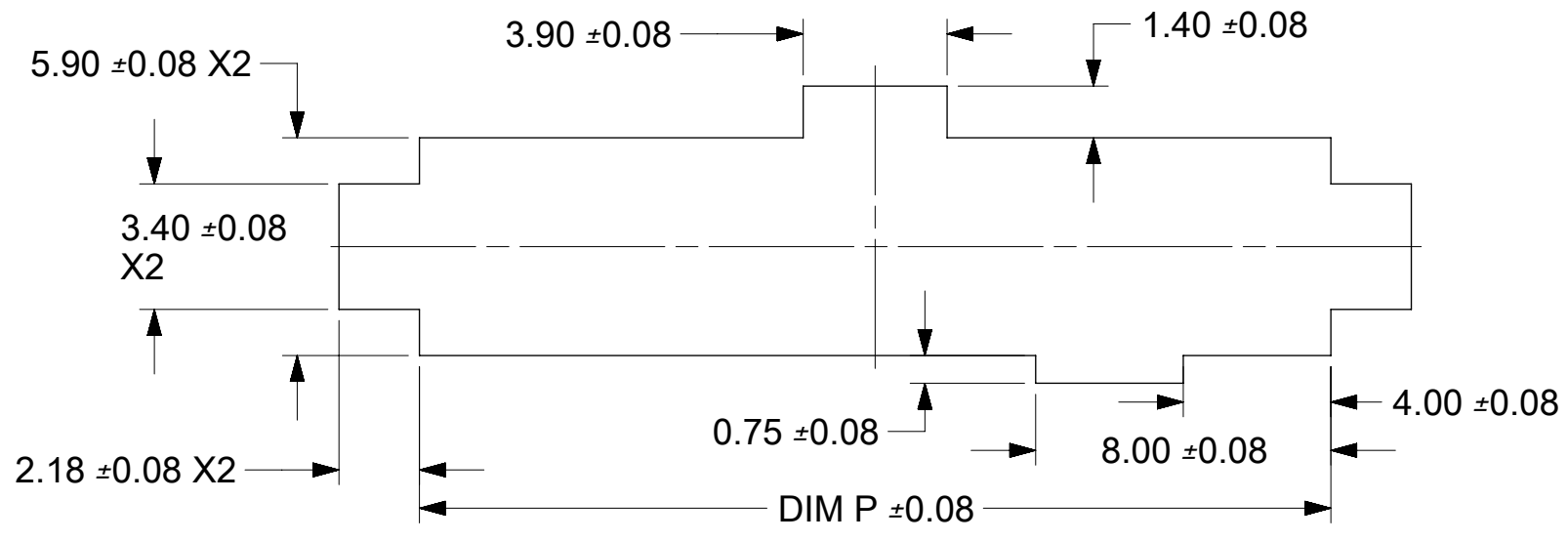
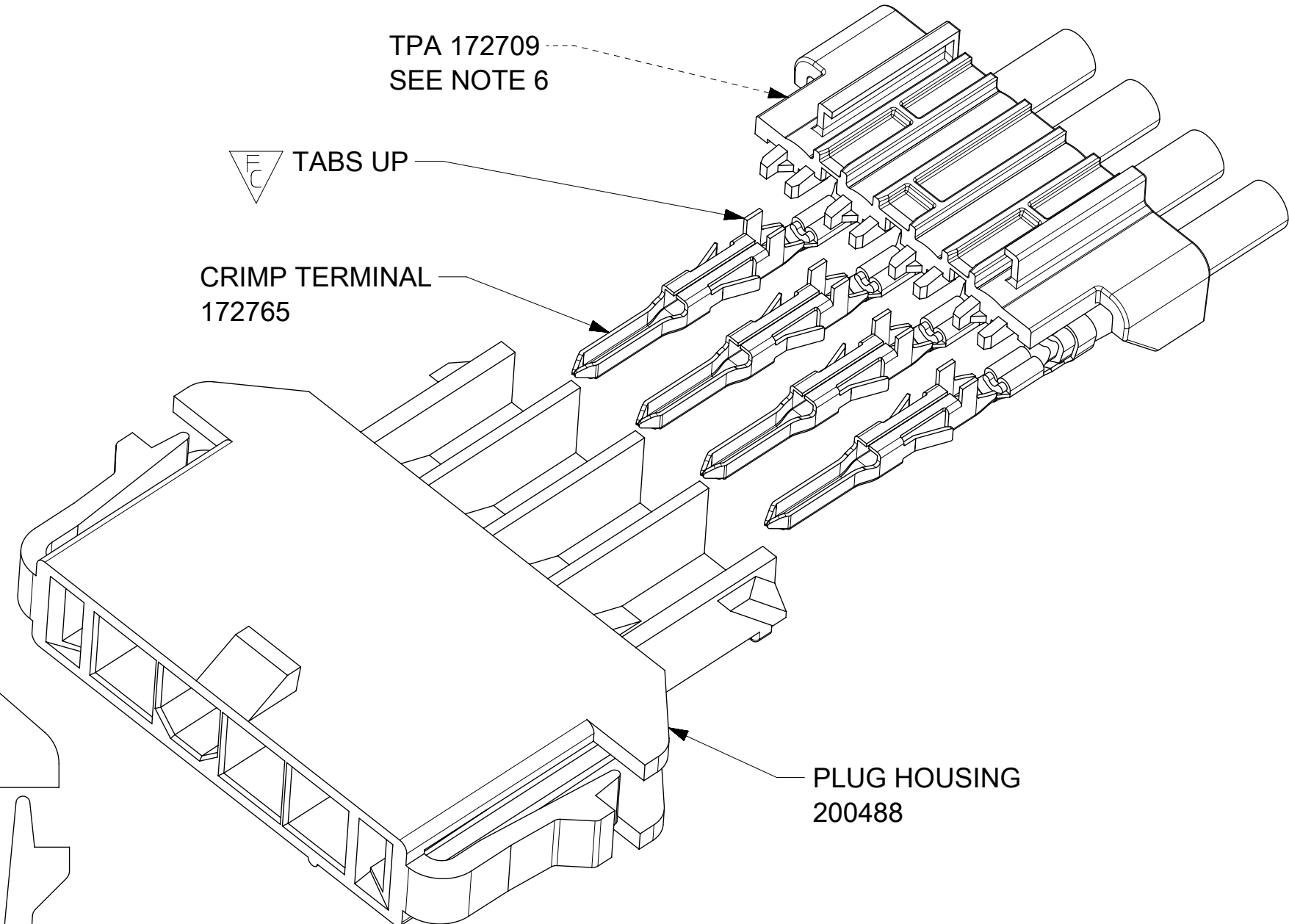
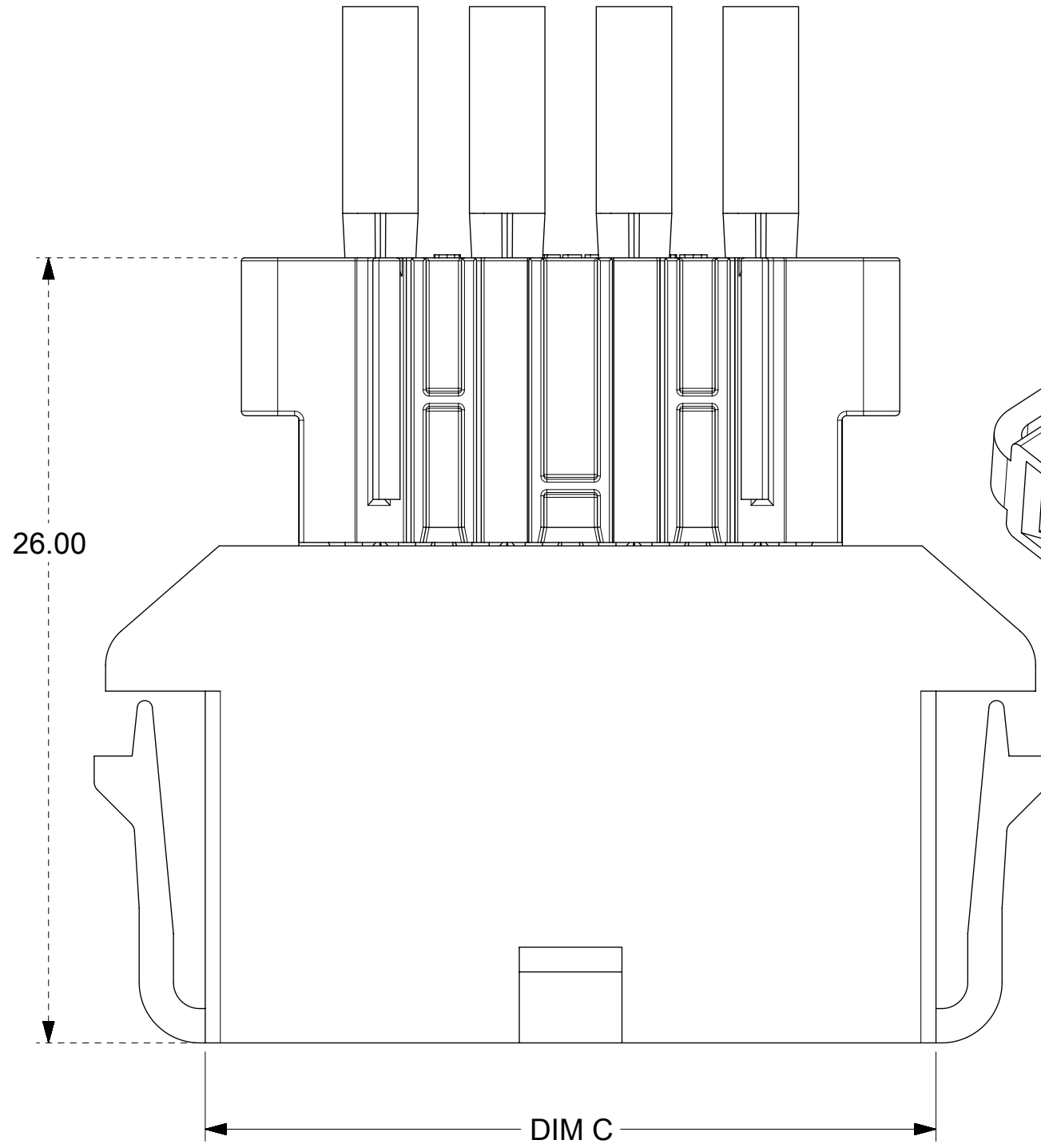
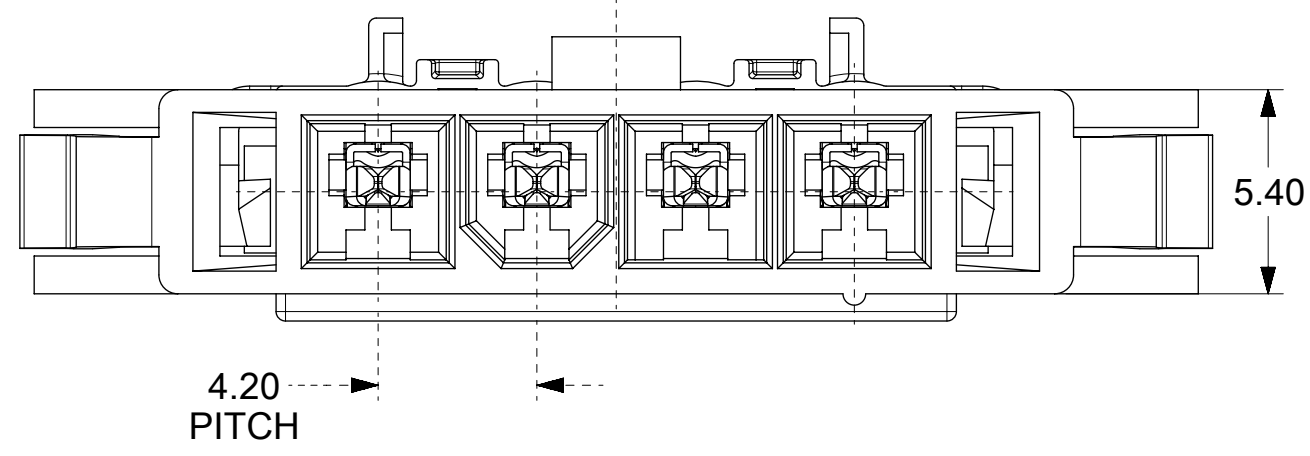
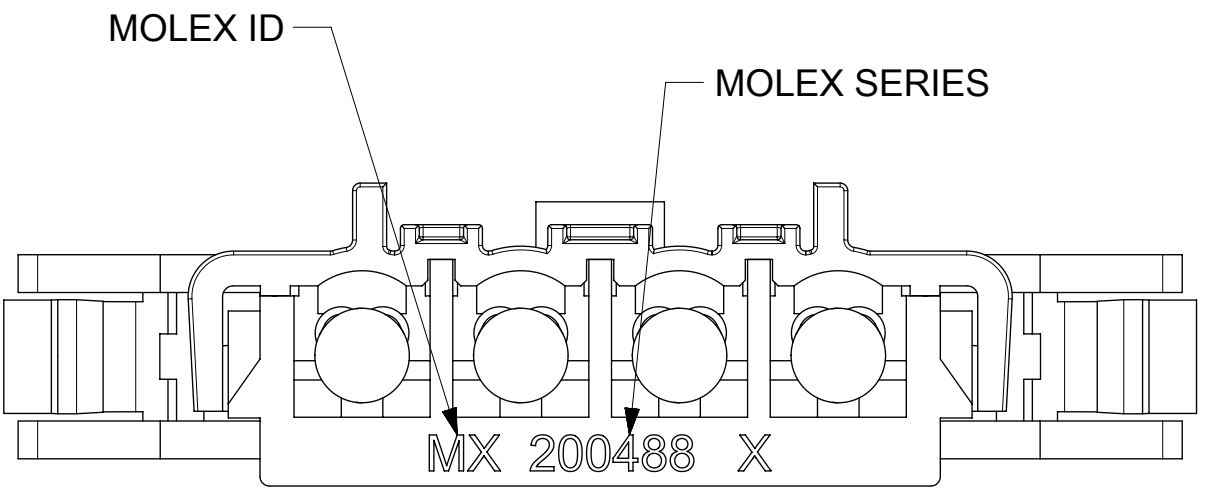
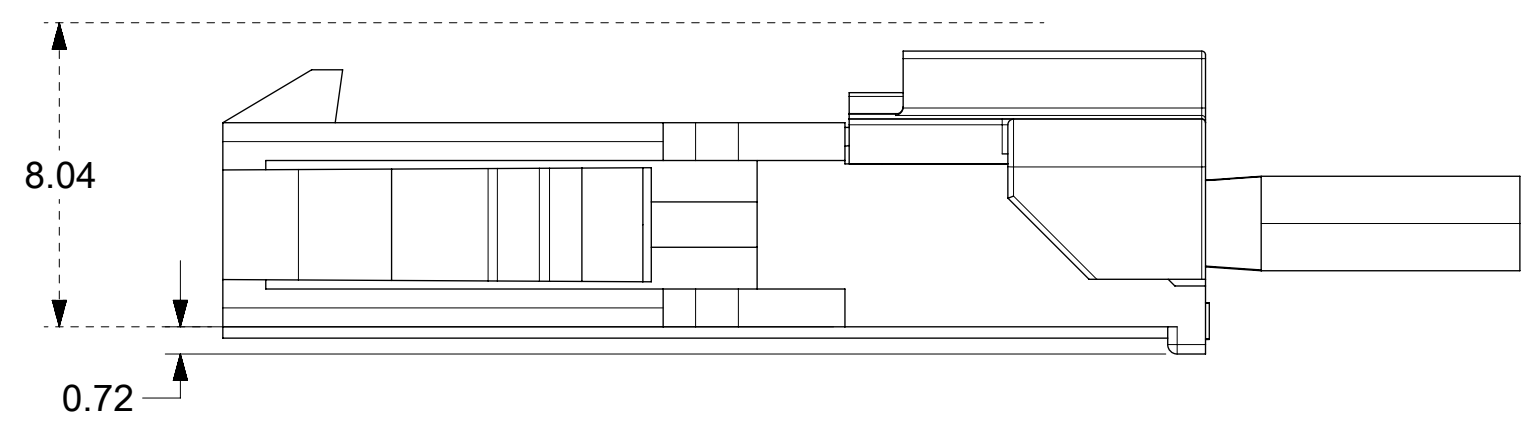


| PART NUMBER | CKTS | DIM C | DIM P | MATERIAL |
|-------------|------|-------|-------|----------|
| 2004880002  | 2    | 15.80 | 16.30 | A        |
| 2004880102  | 2    | 15.80 | 16.30 | B        |
| 2004880202  | 2    | 15.80 | 16.30 | C        |
| 2004880003  | 3    | 20.00 | 20.50 | A        |
| 2004880103  | 3    | 20.00 | 20.50 | B        |
| 2004880203  | 3    | 20.00 | 20.50 | C        |
| 2004880004  | 4    | 24.20 | 24.70 | A        |
| 2004880104  | 4    | 24.20 | 24.70 | B        |
| 2004880204  | 4    | 24.20 | 24.70 | C        |
| 2004880005  | 5    | 28.40 | 28.90 | A        |
| 2004880105  | 5    | 28.40 | 28.90 | B        |
| 2004880205  | 5    | 28.40 | 28.90 | C        |
| 2004880006  | 6    | 32.60 | 33.10 | A        |
| 2004880106  | 6    | 32.60 | 33.10 | B        |
| 2004880206  | 6    | 32.6  | 33.10 | C        |



RECOMMENDED PANEL CUTOUT  
MAX PANEL THICKNESS 1.60



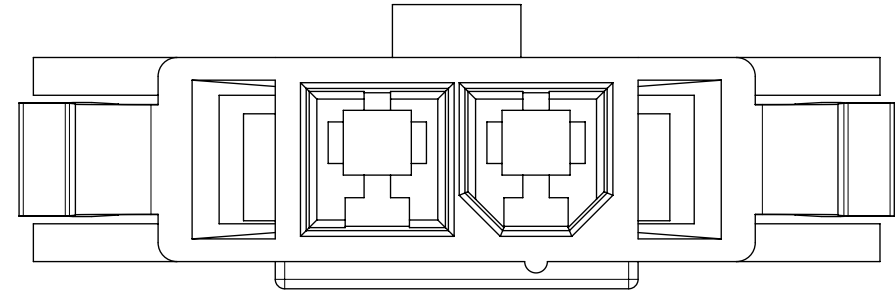
NOTES:

- 1. MATERIAL:  
'A' = NYLON V-0, LOW HALOGEN, COLOR: BLACK  
'B' = NYLON V-2, GLOW WIRE CAPABLE, COLOR: BLACK  
'C' = NYLON V-2; COLOR: BLACK
- 2. FINISH: NONE
- 3. PRODUCT SPECIFICATION: PS-172718-0000  
APPLICATION SPECIFICATION: AS-172718-0000
- 4. PACKAGING SPECIFICATION:  
2004880000-PK
- 5. THIS HOUSING TO BE USED WITH MALE TERMINAL SERIES 172765 AND TPA SERIES 172709.
- 6. THIS PRODUCT MUST BE USED WITH THE TPA INSTALLED.
- 7. THIS PART MATES WITH SERIES 5557 & 200453.
- 8. THIS PART CONFORMS TO CLASS 'B' REQUIREMENTS OF COSMETIC SPECIFICATION PS-45499-002.
- 9. FOR BLACK 'B' MATERIAL USE CLASS C GATE BLIMISH SPEC.

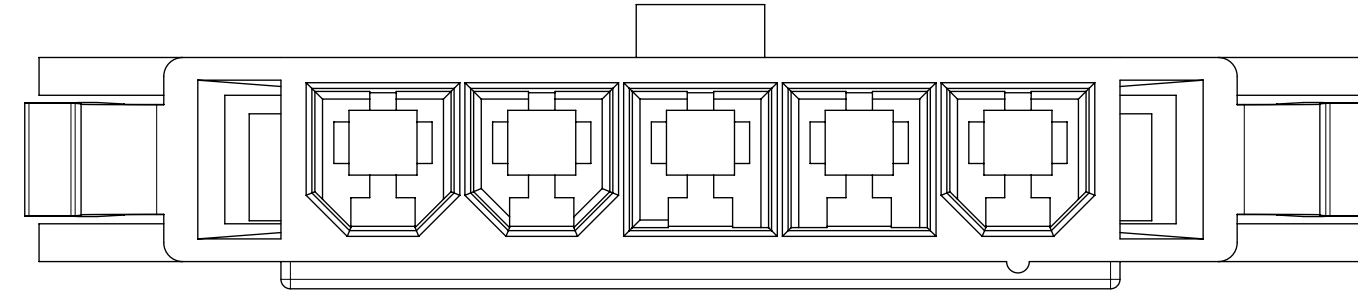
|  |   |  |   |   |  |
|--|---|--|---|---|--|
| <p>QUALITY SYMBOLS</p> <ul style="list-style-type: none"> <li>▽ = 0</li> <li>▽ = 2</li> <li>▽ = 0</li> <li>▽ = 0</li> <li>▽ = 0</li> <li>▽ = 0</li> <li>▽ = 0</li> <li>▽ = 0</li> <li>▽ = 0</li> </ul> | THIS DRAWING CONTAINS INFORMATION THAT IS PROPRIETARY TO MOLEX ELECTRONIC TECHNOLOGIES, LLC AND SHOULD NOT BE USED WITHOUT WRITTEN PERMISSION |  |   |   |  |
|  | <p>UPDATE NOTE 4</p> <p>EC NO: 167997<br/>DRWN: AZAHIROVIC<br/>CHKD: JBELL<br/>REV: APPR: FSMITH</p>  |  | <p>2017/11/14</p> <p>2017/12/19</p> <p>2018/01/08</p>   | <p>GENERAL TOLERANCES (UNLESS SPECIFIED)</p> <p>ANGULAR TOL ± 0.5 °</p> <p>4 PLACES ±</p> <p>3 PLACES ±</p> <p>2 PLACES ± 0.13</p> <p>1 PLACE ± 0.2</p> <p>0 PLACES ±</p> |  |
|  | <p>DIMENSION UNITS: mm</p> <p>SCALE: 5:1</p>  |  | <p>DRWN BY: TGREGORI</p> <p>DATE: 2016/10/18</p>  |   |  |
|  | <p>DRAFT WHERE APPLICABLE MUST REMAIN WITHIN DIMENSIONS</p>   |  | <p>CHKD BY: TGREGORI</p> <p>DATE: 2016/10/18</p>  |   |  |
|  | <p>DRAWING SIZE: C</p>  |  | <p>APPR BY: RHODGE</p> <p>DATE: 2016/10/20</p>  |   |  |
|  | <p>THIRD ANGLE PROJECTION</p>   |  | <p>SERIES: 200488</p> <p>MATERIAL NUMBER: SEE TABLE</p> <p>CUSTOMER: GENERAL MARKET</p>                     |   |  |
|  | <p>PRODUCT CUSTOMER DRAWING</p>   |  | <p>DOCUMENT NUMBER: 2004880000-SD</p> <p>DOC TYPE: PSD</p> <p>DOC PART: 000</p> <p>SHEET NUMBER: 1 OF 2</p> |   |  |
|  | <p>RELEASE STATUS: P1</p> <p>RELEASE DATE: 08.01.2018 22:26:31</p>  |  |   |   |  |
|  | <p>FORMAT: mshw@moex.com</p>  |  |   |   |  |

# POLARIZATION DETAIL

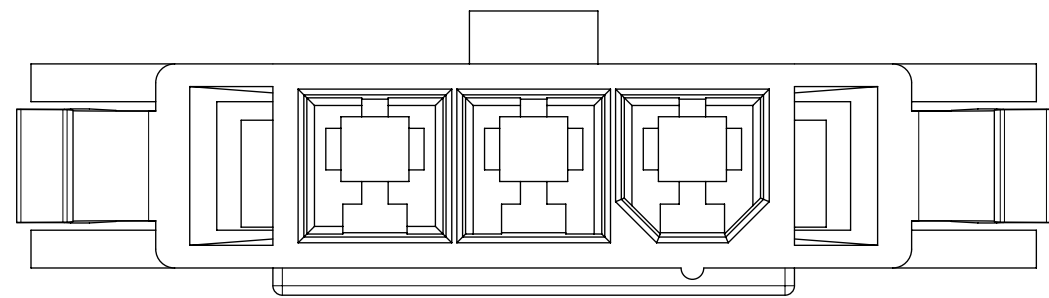
2 CKT



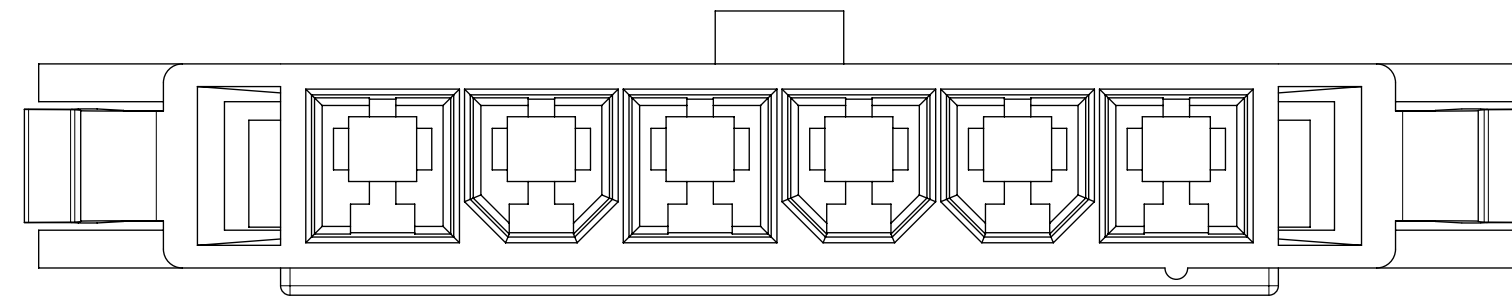
5 CKT



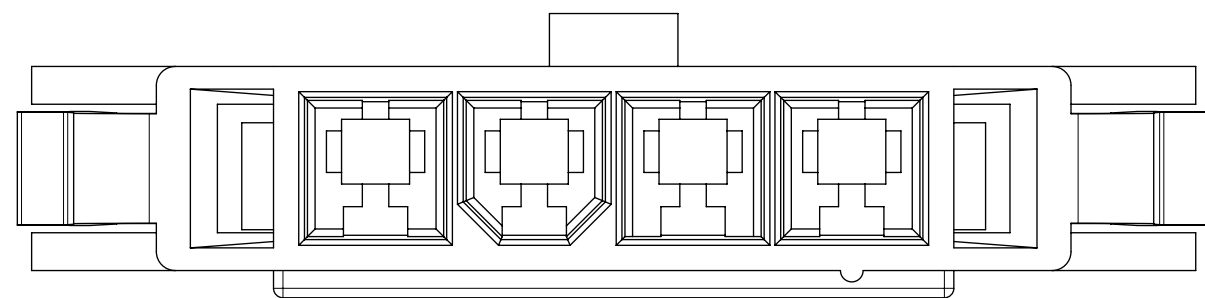
3 CKT



6 CKT



4 CKT



|                 |   |   |  |              |  |                        |  |            |  |  |  |  |  |
|-----------------|---|---|--|--------------|--|------------------------|--|------------|--|--|--|--|--|
| QUALITY SYMBOLS |   | THIS DRAWING CONTAINS INFORMATION THAT IS PROPRIETARY TO MOLEX ELECTRONIC TECHNOLOGIES, LLC AND SHOULD NOT BE USED WITHOUT WRITTEN PERMISSION |  |              |  |                        |  |            |  |  |  |  |  |
| ▽ = 0           | UPDATE NOTE 4<br>EC NO: 167997<br>DRWN: AZAHIROVIC<br>CHKD: JBELL<br>REV / APPR: FSMITH<br>2017/11/14<br>2017/12/19<br>2018/01/08 | GENERAL TOLERANCES (UNLESS SPECIFIED)   |  |              |  | DIMENSION UNITS        |  | SCALE      |  |  |  |  |  |
| ▽ = 0           |   | ANGULAR TOL ± 0.5 °   |  |              |  | mm                     |  | 5:1        |  |  |  |  |  |
| ▽ = 0           |   | 4 PLACES ±  |  |              |  | DRWN BY                |  | DATE       |  | HOUSING, SINGLE ROW PLUG PANEL MOUNT<br>MINI-FIT TPA2                                    |  |  |  |
| ▼ = 0           |   | 3 PLACES ±  |  |              |  | TGREGORI               |  | 2016/10/18 |  |  |  |  |  |
| ▽ = 0           |   | 2 PLACES ± 0.13   |  |              |  | CHKD BY                |  | DATE       |  | PRODUCT CUSTOMER DRAWING   |  |  |  |
| ▽ = 0           |   | 1 PLACE ± 0.2   |  |              |  | TGREGORI               |  | 2016/10/18 |  |  |  |  |  |
| ⊠ = 0           |   | 0 PLACES ±  |  |              |  | APPR BY                |  | DATE       |  | SERIES: 200488    MATERIAL NUMBER: SEE TABLE    CUSTOMER: GENERAL MARKET                 |  |  |  |
| ■ = 0           |   | DRAFT WHERE APPLICABLE MUST REMAIN WITHIN DIMENSIONS  |  |              |  | RHODGE                 |  | 2016/10/20 |  |  |  |  |  |
| ▽ = 0           |   | A3  |  | DRAWING SIZE |  | THIRD ANGLE PROJECTION |  | C          |  | DOCUMENT NUMBER: 2004880000-SD    DOC TYPE: PSD    DOC PART: 000    SHEET NUMBER: 2 OF 2 |  |  |  |
|                 |   |   |  |              |  |                        |  |            |  |  |  |  |  |