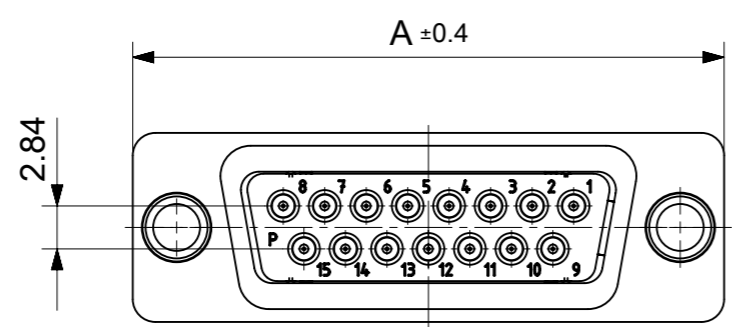
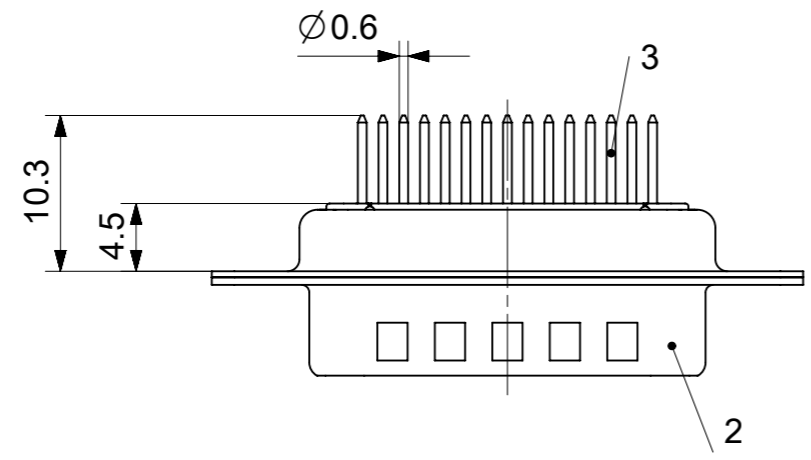
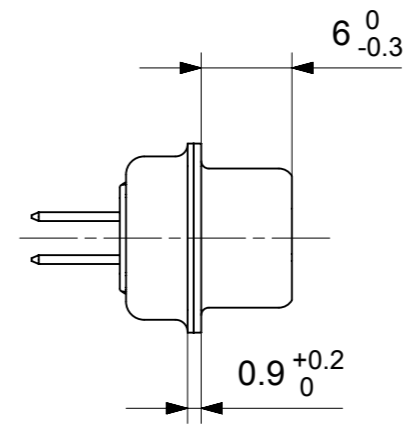
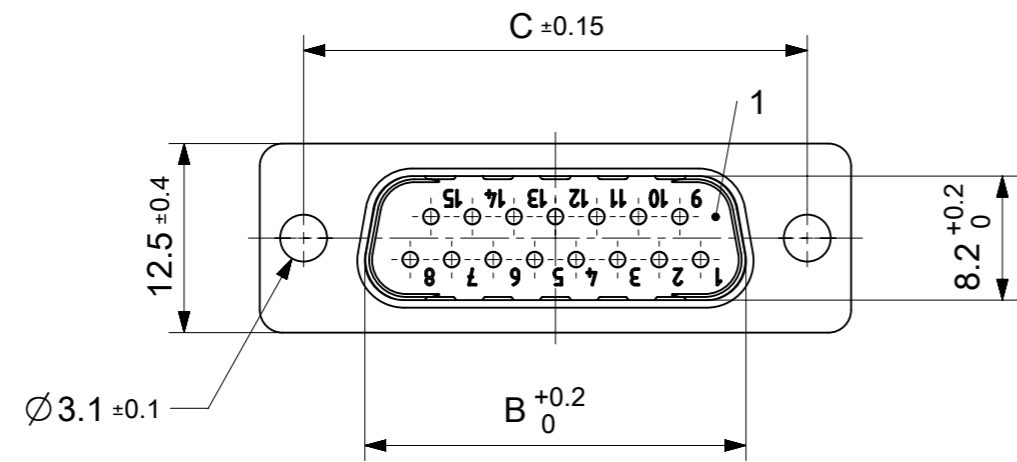


RoHS compliant
by exemption



FCT Part number:
Fxx*1)P1G1A
e.g. F15P1G1A
*1) xx No. of contacts 09, 15, 25 or 37

Material Number	xx*1)	A[mm]	B[mm]	C[mm]	*E[mm]
1731090641	09	30.8	16.9	25	Ø1
1731090699	15	39.1	25.2	33.3	
1731090709	25	53	38.9	47.04	
1731090719	37	69.3	55.3	63.5	

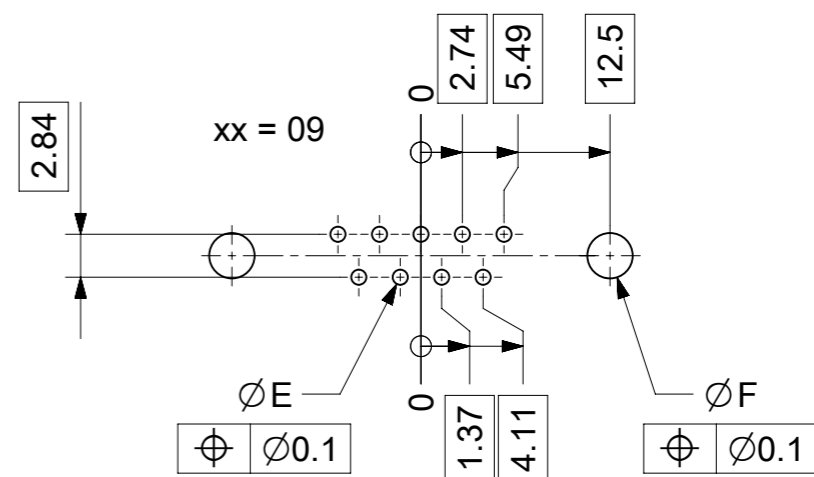
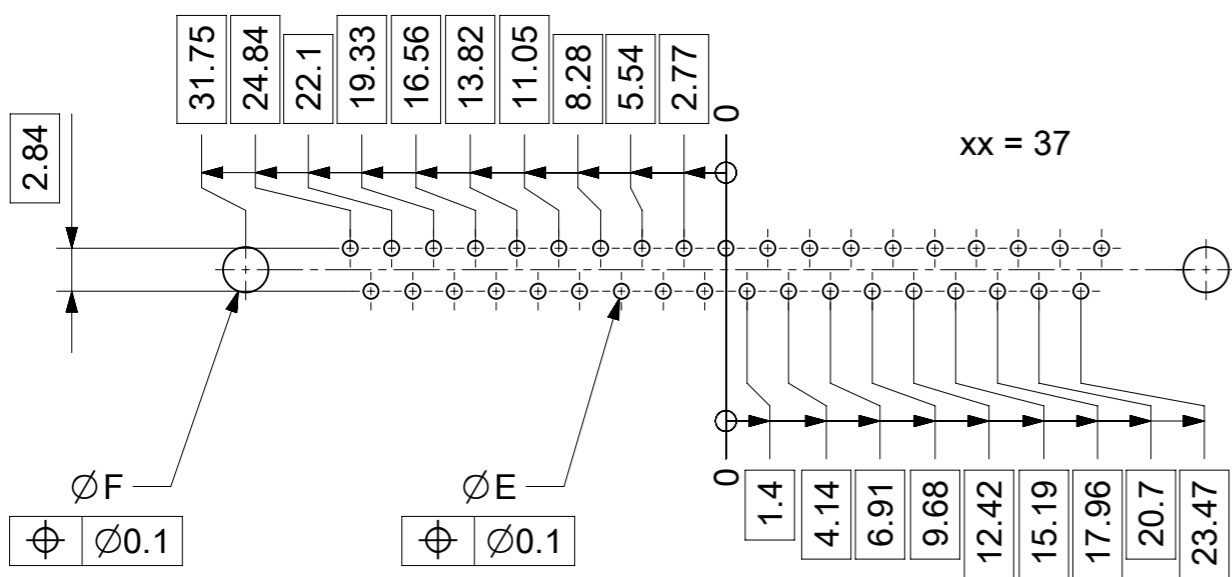
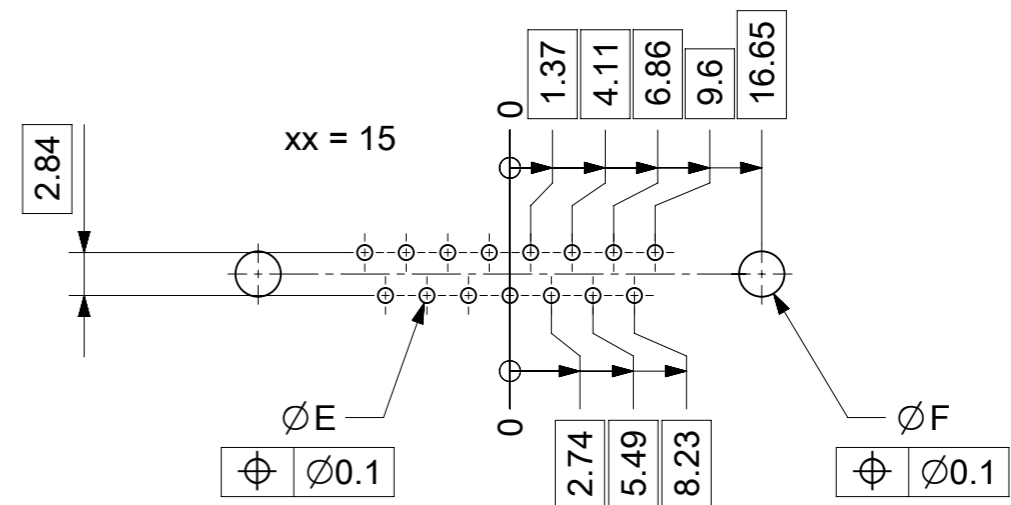
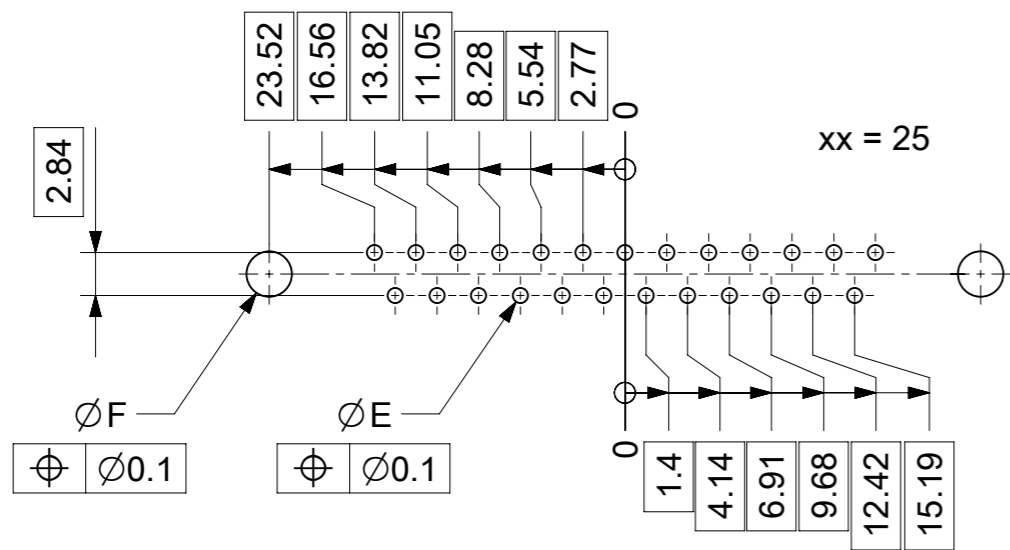
*PCB hole patterns ØE see document 2195600023

3	xx	Signal contact	P1 / Brass	AuroPur
2	1	Shell	Steel	tin plated
1	1	Insulator	PBT (-55°C to +125°C) acc. UL94V-0	white
No.	Pc.	Part	Type Description/Material	Surface plating/ Color/Class

MEASUREMENTS WITHOUT TOLERANCE ACC TO ISO 2768-m

REPLACEMENT FOR DOCUMENT NUMBER: FxxP1G1A

FUNCTIONAL SYMBOLS	THIS DRAWING CONTAINS INFORMATION THAT IS PROPRIETARY TO MOLEX ELECTRONIC TECHNOLOGIES, LLC AND SHOULD NOT BE USED WITHOUT WRITTEN PERMISSION	CURRENT REV DESC:		molex
$\nabla_A = 0$ $\nabla_E = 0$ $\nabla_P = 0$	DIMENSION UNITS: mm SCALE: 2:1 GENERAL TOLERANCES (UNLESS SPECIFIED) ANGULAR TOL ± ° 4 PLACES ±	EC NO: 706086 DRWN: GOOLAM 2021/11/24 CHK'D: MTEUBEL 2022/05/11 APPR: MTEUBEL 2022/05/11		
DIVISIONAL SYMBOLS	3 PLACES ± 2 PLACES ± 1 PLACE ± 0 PLACES ±	INITIAL REVISION: DRWN: GOOLAM 2021/11/24 APPR: MTEUBEL 2022/05/11		PRODUCT CUSTOMER DRAWING
DRAFT WHERE APPLICABLE MUST REMAIN WITHIN DIMENSIONS		FIRST ANGLE PROJECTION	DRAWING: A3-SIZE	SERIES: 173109
DOCUMENT STATUS: P1		RELEASE DATE: 2022/05/11	MATERIAL NUMBER: SEE TABLE	CUSTOMER: GENERAL MARKET
11:11:29		SHEET NUMBER: 1 OF 1		REVISION: A



$\varnothing E$, $\varnothing F$ see data sheet incl. connector
 $\varnothing F$ connectors with accessories only

MEASUREMENTS WITHOUT TOLERANCE ACC TO ISO 2768-m				REPLACEMENT FOR DOCUMENT NUMBER: AM0023			
THIS DRAWING CONTAINS INFORMATION THAT IS PROPRIETARY TO MOLEX ELECTRONIC TECHNOLOGIES, LLC AND SHOULD NOT BE USED WITHOUT WRITTEN PERMISSION							
FUNCTIONAL SYMBOLS	DIMENSION UNITS	SCALE	CURRENT REV DESC:				
$\nabla_A = 0$	mm	2:1	EC NO: 713905				
$\nabla_E = 0$	GENERAL TOLERANCES (UNLESS SPECIFIED)		DRWN: SKANDB 2022/05/16				
$\nabla_P = 0$	ANGULAR TOL \pm °		CHK'D: MTEUBEL 2022/07/12				
DIVISIONAL SYMBOLS	4 PLACES \pm		APPR: MTEUBEL 2022/07/12				
	3 PLACES \pm		INITIAL REVISION:				
	2 PLACES \pm		DRWN: SKANDB 2022/05/16				
	1 PLACE \pm		APPR: MTEUBEL 2022/07/12				
	0 PLACES \pm		DOCUMENT NUMBER: 2195600023				
DRAFT WHERE APPLICABLE MUST REMAIN WITHIN DIMENSIONS		FIRST ANGLE PROJECTION	DRAWING	SERIES	MATERIAL NUMBER	CUSTOMER	SHEET NUMBER
			A3-SIZE	219560	219560	GENERAL MARKET	1 OF 1

molex

FCT PCB HOLE PATTERN STRAIGHT CONTACT
 NO. OF CONTACTS 09-37

PRODUCT CUSTOMER DRAWING