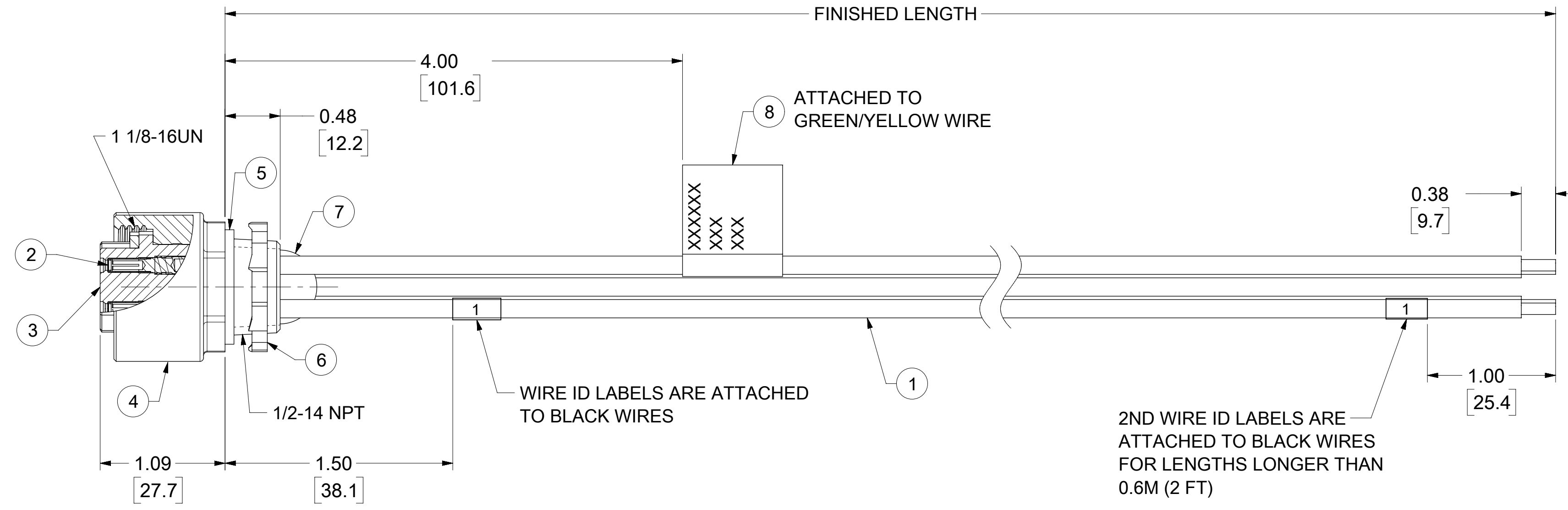
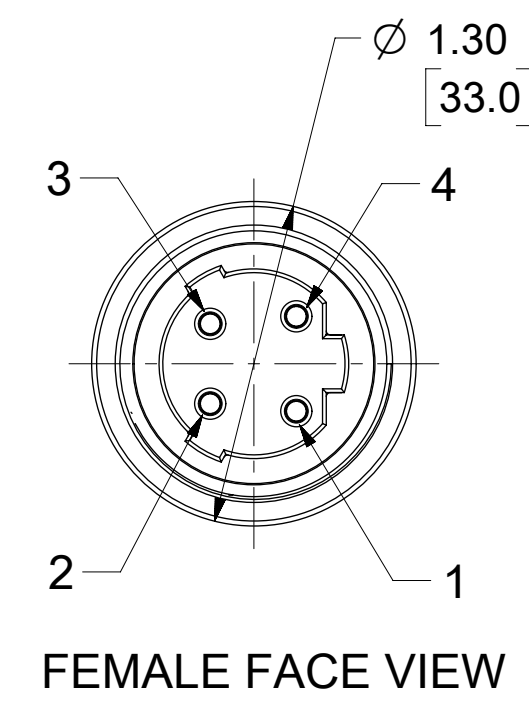
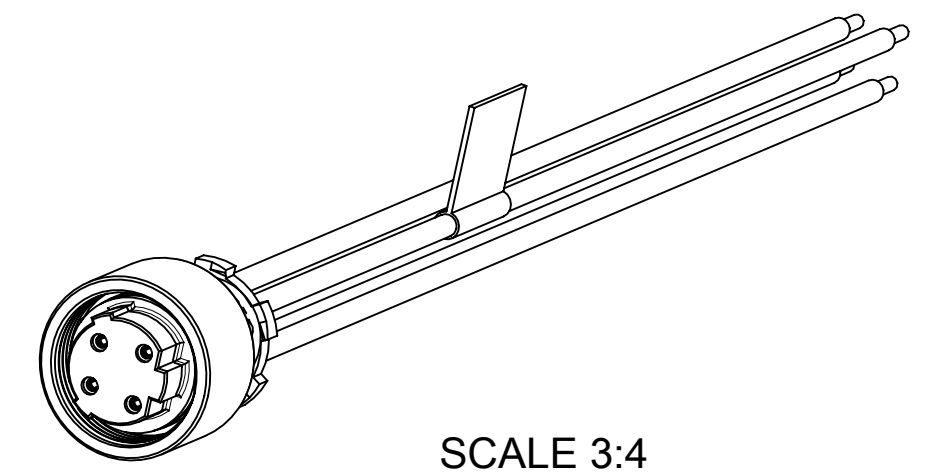


PART NO.	ENGINEERING NO.	FINISHED LENGTH
1300660320	3R4100A84M0033	0.3M (11.81 IN)
1300662019	3R4100A84M0203	2M (6 FT 6.74 IN)
1300662021	3R4100A84M0403	4M (13 FT 1.48 IN)

CABLE LENGTH TOLERANCES
 <.3M [1FT]: +19mm-0 [+0.75in-0]
 .3 - .9M [1 - 3FT]: +44.5mm-0 [+1.75in-0]
 .9 - 1.8M [3 - 6FT]: +55.6mm-0 [+2.19in-0]
 1.8 - 3.7M [6 - 12FT]: +88.9mm-0 [+3.50in-0]
 3.7 - 7.3M [12 - 24FT]: +165.1mm-0 [+6.50in-0]
 7.3-14.6M [24 - 48FT]: +317.5mm-0 [+12.50in-0]
 14.6 - 30.5M [48-100FT]: +622.3mm-0 [+24.50in-0]
 OVER 30M [100FT] +2% OF FINISHED LENGTH



- NOTES:**
- MATERIAL: AS NOTED
 - FINISH: AS NOTED
 - ELECTRICAL:
 VOLTAGE: 483V PER IEC60664 (B2)
 600V PER UL2237
 CURRENT: 25A
 - TEMP RATING: -20°C TO +105°C (B2)
 - PROTECTION: IP67 (WHEN MATED)
 - UL LISTED FILE: 258922
 - ALL DIMS ARE FOR REFERENCE UNLESS TOLERANCED OR NOTED OTHERWISE

WIRING DIAGRAM

1	BLACK #1
2	BLACK #2
3	BLACK #3
4	GREEN/YELLOW

PART NUMBER LEGEND (B2)

3R4100A84M0033

FINISHED LENGTH
 M001 = 0.1 METER
 M010 = 1 METER
 M100 = 10 METER

8	FLAG LABEL	VINYL	YELLOW
7	POTTING MATERIAL	EPOXY	BLACK
6	LOCK NUT	STEEL	ZINC PLATED
5	GASKET	NITRILE	BLACK
4	RECEPTACLE SHELL	Cu ALLOY	NICKEL PLATED
3	FEMALE INSERT	TPE	BLACK
2	SOCKET CONTACT	Cu ALLOY	GOLD OVER NICKEL
1	#12-4 AWG, WIRE, 1015/TEW	PVC	SEE WIRING DIAGRAM
ITEM	DESCRIPTION	MATERIAL	FINISH

FUNCTIONAL SYMBOLS										THIS DRAWING CONTAINS INFORMATION THAT IS PROPRIETARY TO MOLEX ELECTRONIC TECHNOLOGIES, LLC AND SHOULD NOT BE USED WITHOUT WRITTEN PERMISSION													
DIMENSION UNITS					SCALE					CURRENT REV DESC: UPDATED IEC VOLT, TEMP RATING, MATERIAL TABLE, BOM TABLE & TOL. TABLE													
INCH/MM					1.3:1																		
GENERAL TOLERANCES (UNLESS SPECIFIED)										EC NO: 718076													
4 PLACES ±					MM					DRWN: VHANDI 2020/09/30													
3 PLACES ±					INCH					CHK'D: RSTONE 2022/08/18													
2 PLACES ±										APPR: BWOODMAN 2022/08/22													
1 PLACE ±										INITIAL REVISION:													
0 PLACES ±										DRWN: TWOLDEGEBRIE 2016/07/11													
ANGULAR TOL ± °										APPR: BWOODMAN 2016/11/14													
DRAFT WHERE APPLICABLE MUST REMAIN WITHIN DIMENSIONS					THIRD ANGLE PROJECTION					DRAWING SERIES													
					C-SIZE					130066													
DOCUMENT STATUS			P1			RELEASE DATE			2022/08/22 20:40:27			DOCUMENT NUMBER			DOC TYPE			DOC PART			REVISION		
1300660320			PSD			000			B2			MATERIAL NUMBER			CUSTOMER			SHEET NUMBER					
SEE TABLE			GENERAL MARKET			1 OF 1																	