

4

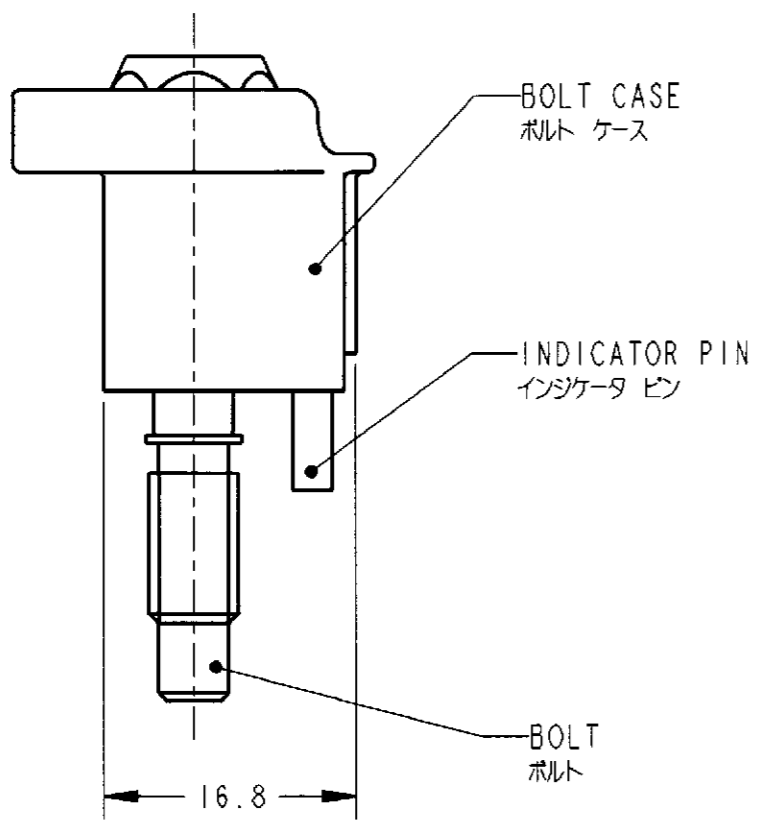
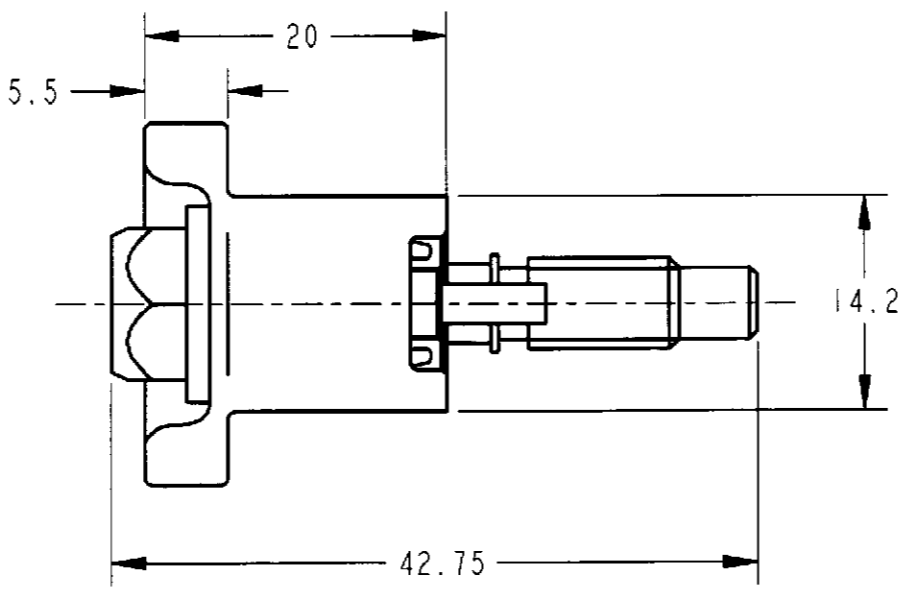
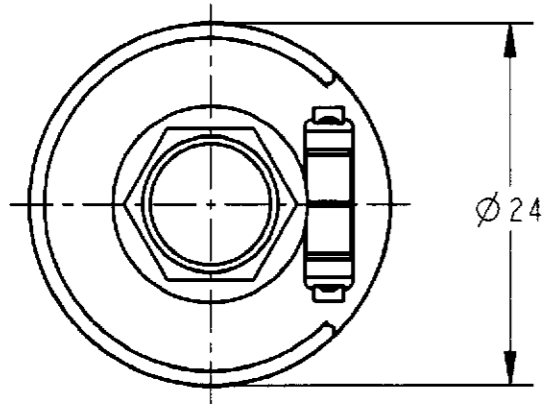
3

2

1

THIS DRAWING IS UNPUBLISHED. RELEASED FOR PUBLICATION .19
 © COPYRIGHT 19 BY AMP INCORPORATED. ALL RIGHTS RESERVED.

REVISIONS						
LOC	DISC	P	LTR	DESCRIPTION	ECN	DATE
J	-		0	作成 RELEASED	FJ00-1876-98	30SEP98



1. PARTS NUMBER OF APPLICABLE PLUG HOUSING ; SEE TABLE 1
 1. 適用プラグハウジング型番: 表1参照

TABLE 1

NO.	PARTS NUMBER 型番	NAME 名称
1	177698-1	48POSITION PLUG HOUSING ASSEMBLY
2	177699-1	64POSITION PLUG HOUSING ASSEMBLY
3	177700-1	76POSITION PLUG HOUSING ASSEMBLY
4	178080-1	88POSITION PLUG HOUSING ASSEMBLY
5	178081-6	104POSITION PLUG HOUSING ASSEMBLY
6	917937-1	120POSITION PLUG HOUSING ASSEMBLY

1123473-1	NATURAL 自然色	ORANGE オレンジ色
PARTS NUMBER 型番	BOLT CASE COLOR ボルトケース色	INDICATOR PIN COLOR インジケータピン色

THIS DRAWING IS A CONTROLLED DOCUMENT FOR AMP INCORPORATED. IT IS SUBJECT TO CHANGE AND THE CONTROLLING ENGINEERING ORGANIZATION SHOULD BE CONTACTED FOR THE LATEST REVISION.		DWN E. SASAKI 30SEP98	AMP (JAPAN), LTD. Kawasaki, Japan	
DIMENSIONS: 単位: ㎜	TOLERANCES UNLESS OTHERWISE SPECIFIED: 一般公差 = ± 0.5	CHK //	NAME M. ISUKAKOSHI	
	0-PLC ±	APVD 30SEP98	PRODUCT SPEC 108-5402	
	1-PLC ±0.1	INSTRUCTION SHEET 取扱説明書	411-5722	
MATERIAL 材料	FINISH 仕上	WEIGHT 16g	SIZE A3	CAGE CODE 00779
BOLT CASE;SPS INDICATOR PIN;PBT BOLT;STEEL	-	CUSTOMER DRAWING	DRAWING NO C=1123473	SCALE 2:1
			SHEET 1	OF 1
			REV 0	