

5

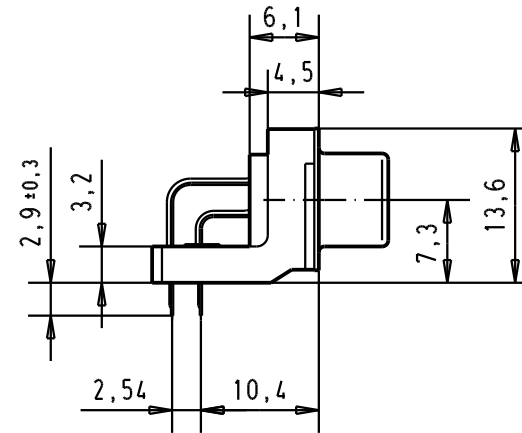
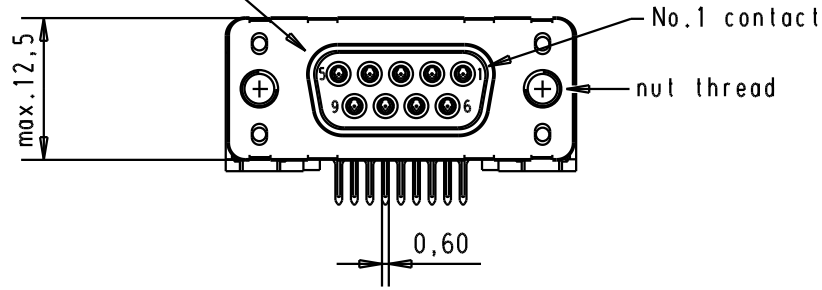
4

3

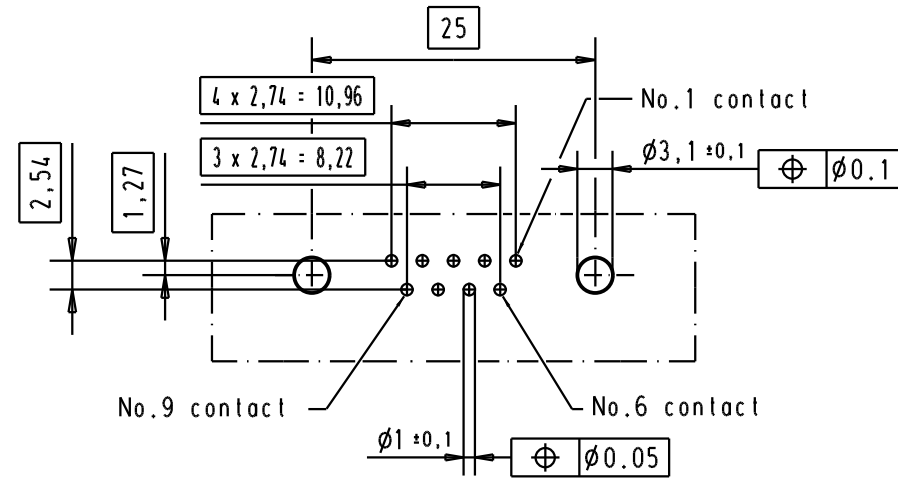
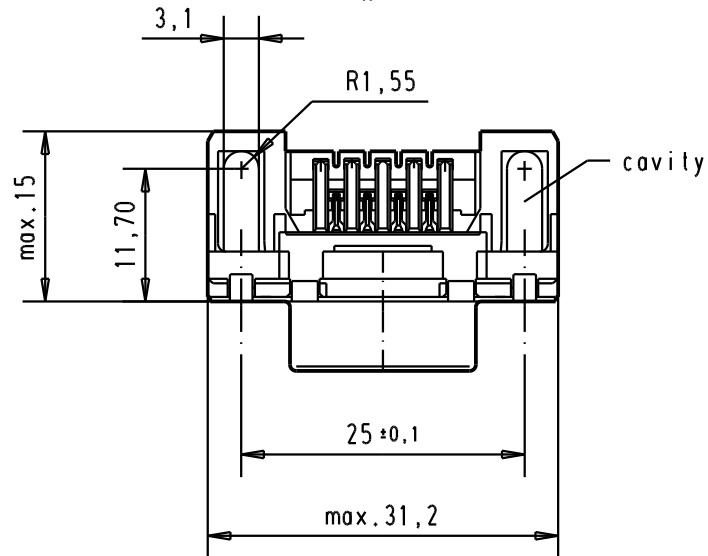
2

1



Mating face according to : MIL-C-24308 / DIN 41652 / CECC 75301-802



Printed board layout component side



A

Part number	Nut thread	Performance level	Mod.	Dat.	Name	Dat.	Name	 All Dim. in mm Orig. Size DIN A 4		D-Sub 09 poles standard angle female, solder pin with nut and hole	Maßstab/ Scale 1.5:1
09 66 112 3601	M3	1									
09 66 112 6601	M3	2				Detail.	27/nov/00	ALSPACE			
09 66 112 7601	M3	3				Insp.					
09 66 112 3602	4-40 UNC	1	31892	05/05/04	JH	Stand.					
09 66 112 6602	4-40 UNC	2	29773	18-APR-02	CV	HARTING EURL F-95972 Paris					
09 66 112 7602	4-40 UNC	3	27960	27/nov/00	ALSPACE						
								TB 0966112x60x		Blatt/ Page 2	
								Sub.			