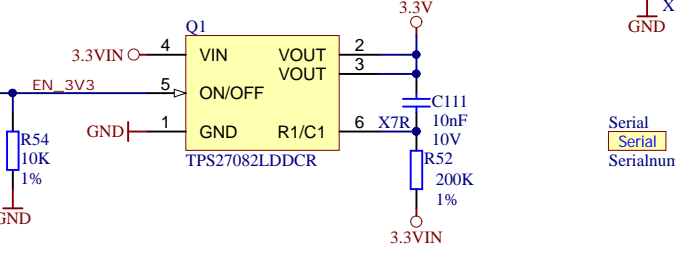
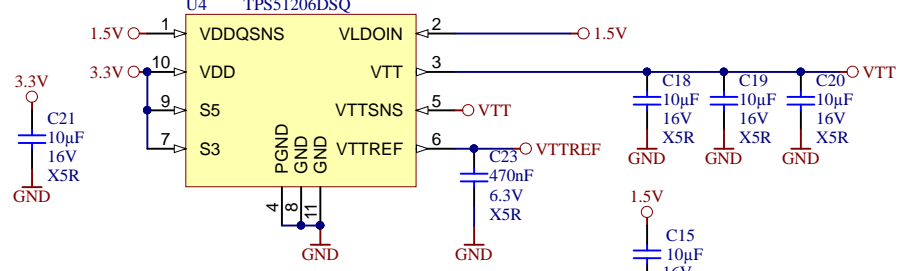
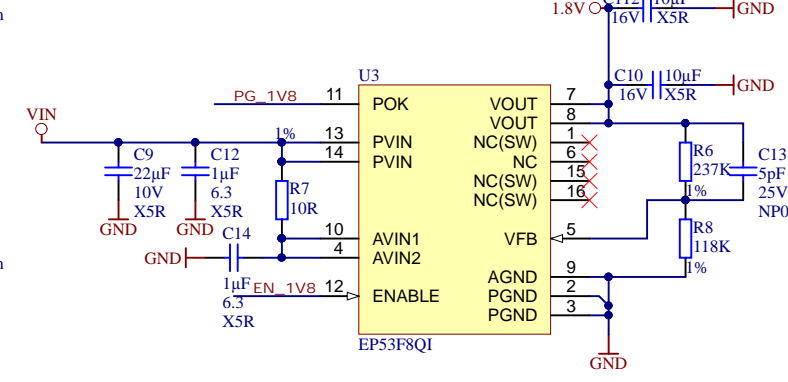
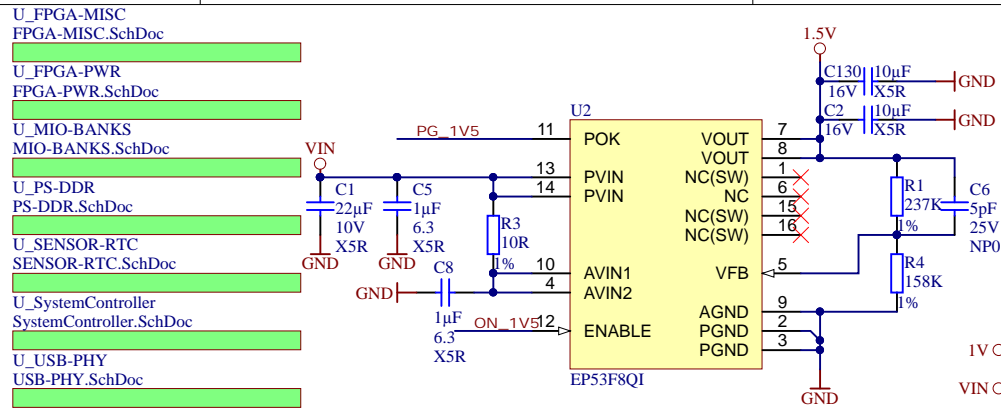
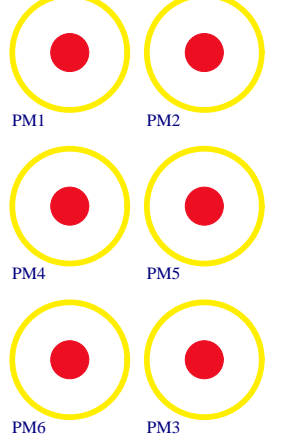
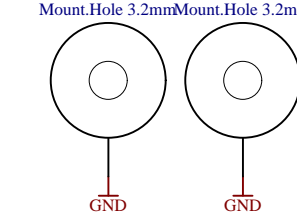
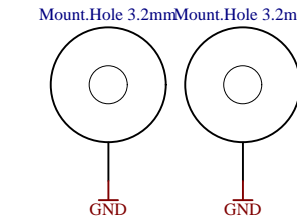
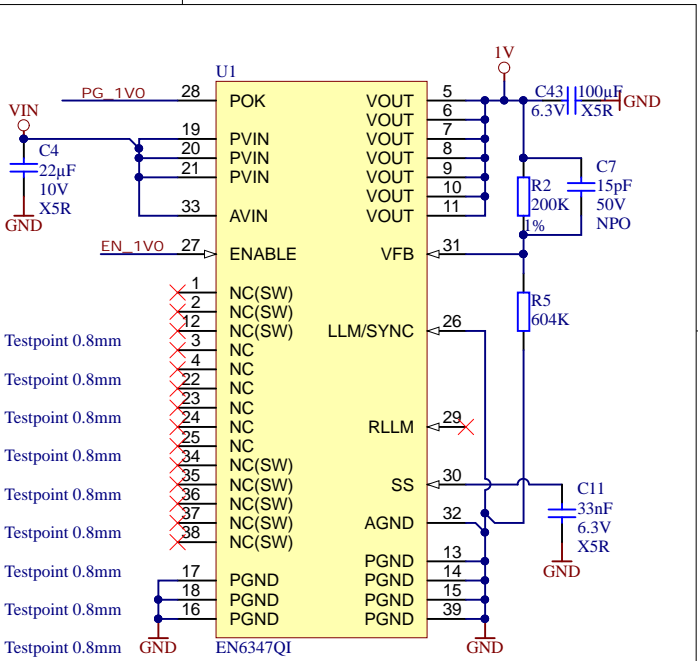


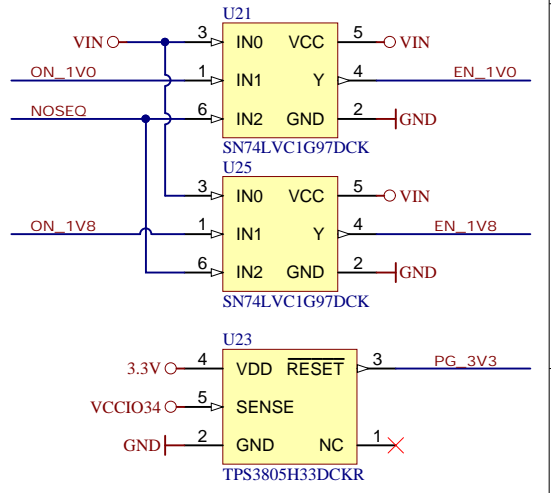
U_B2B-Connectors	U_FPGA-MISC
B2B-Connectors.SchDoc	FPGA-MISC.SchDoc
U_B13	U_FPGA-PWR
B13.SchDoc	FPGA-PWR.SchDoc
U_B33-B34	U_MIO-BANKS
B33-B34.SchDoc	MIO-BANKS.SchDoc
U_B35	U_PS-DDR
B35.SchDoc	PS-DDR.SchDoc
U_DDR3-RAM	U_SENSOR-RTC
DDR3-RAM.SchDoc	SENSOR-RTC.SchDoc
U_eMMC	U_SystemController
eMMC.SchDoc	SystemController.SchDoc
U_ETH-PHY	U_USB-PHY
ETH-PHY.SchDoc	USB-PHY.SchDoc



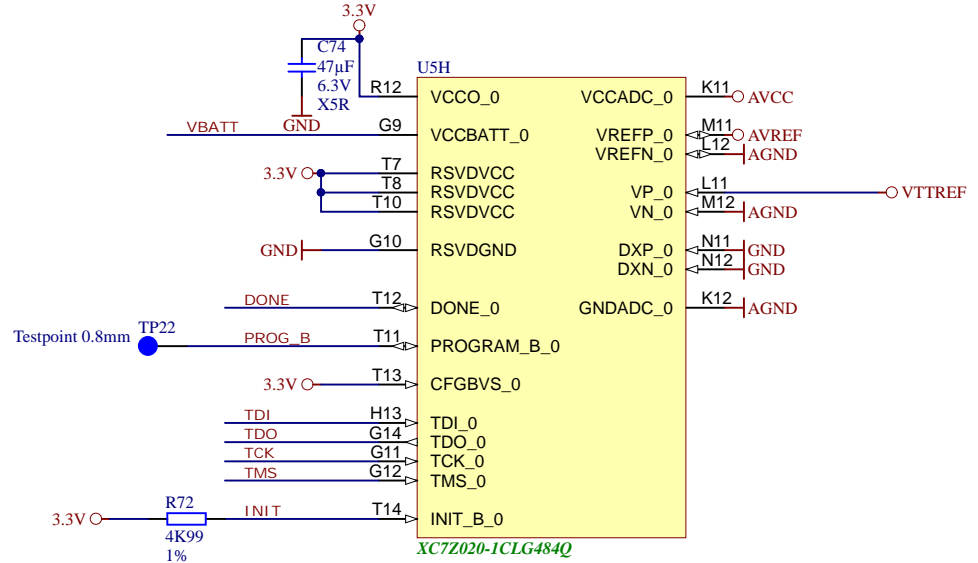
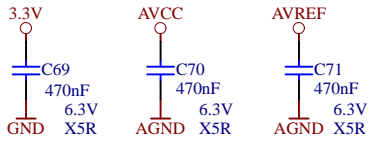
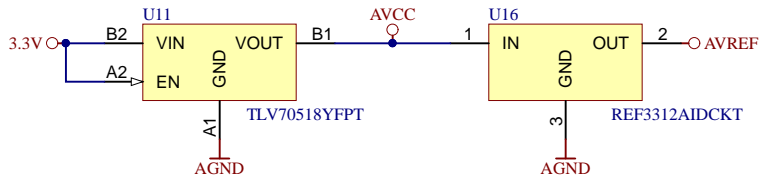
Serial
Serial
Serialnumber 6,3 x 6,3mm



- 1V TP1 Testpoint 0.8mm
- VIN TP2 Testpoint 0.8mm
- 1.5V TP3 Testpoint 0.8mm
- 1.8V TP4 Testpoint 0.8mm
- VTT TP5 Testpoint 0.8mm
- VTTREF TP6 Testpoint 0.8mm
- 3.3VIN TP7 Testpoint 0.8mm
- VCCIO33 TP8 Testpoint 0.8mm
- VCCIO34 TP9 Testpoint 0.8mm
- VCCIO35 TP10 Testpoint 0.8mm
- AVCC TP11 Testpoint 0.8mm
- AVREF TP12 Testpoint 0.8mm
- AGND TP13 Testpoint 0.8mm
- AGND TP14 Testpoint 0.8mm
- GND TP15 Testpoint 0.8mm
- GND TP16 Testpoint 0.8mm
- GND TP17 Testpoint 0.8mm
- GND TP18 Testpoint 0.8mm
- GND TP19 Testpoint 0.8mm
- GND TP20 Testpoint 0.8mm



Title: GigaZee - Power		
A4	Number: TE0720 TE0720-1QFL	Rev. 03
Date: 2015-10-12	Copyright: 2013 Trenz Electronic GmbH	Page1 of 15
Filename: TE0720.SchDoc		



Title: GigaZee - B0		
A4	Number: TE0720 TE0720-1QFL	Rev. 03
Date: 2015-10-12	Copyright: 2013 Trenz Electronic GmbH	Page3 of 15
Filename: FPGA-MISC.SchDoc		

A

B

C

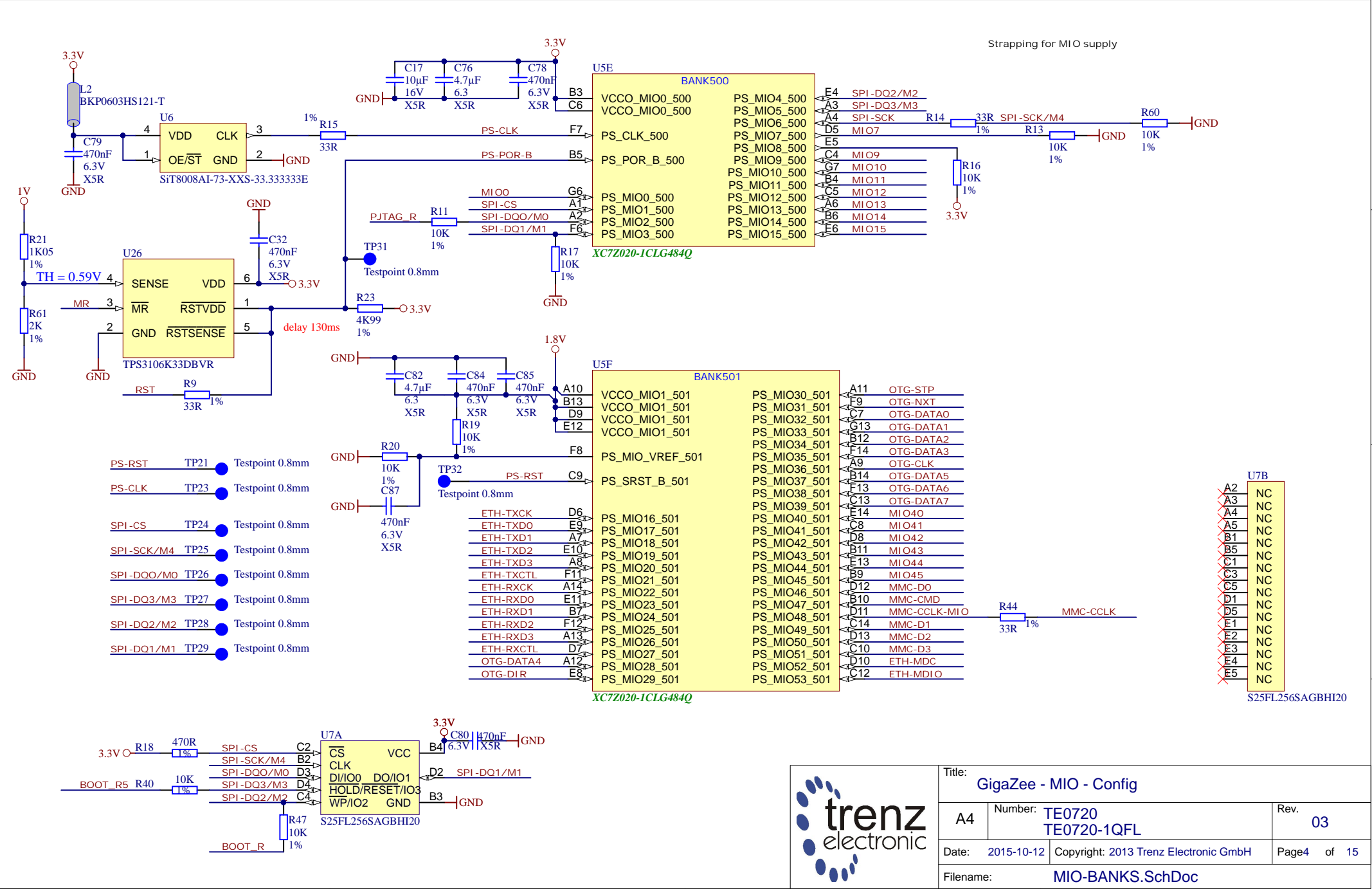
D

A

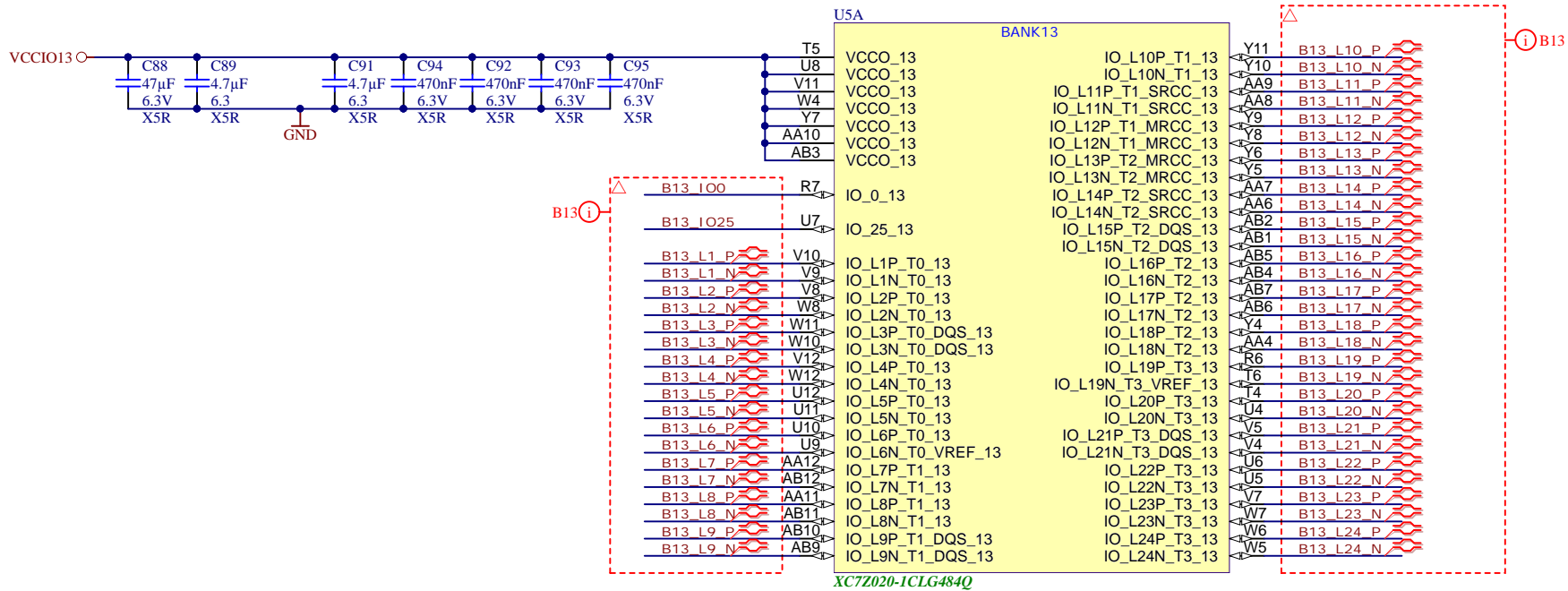
B

C

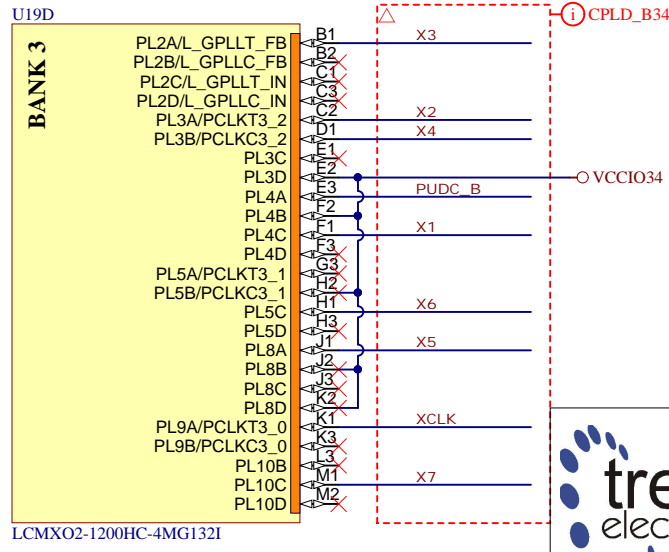
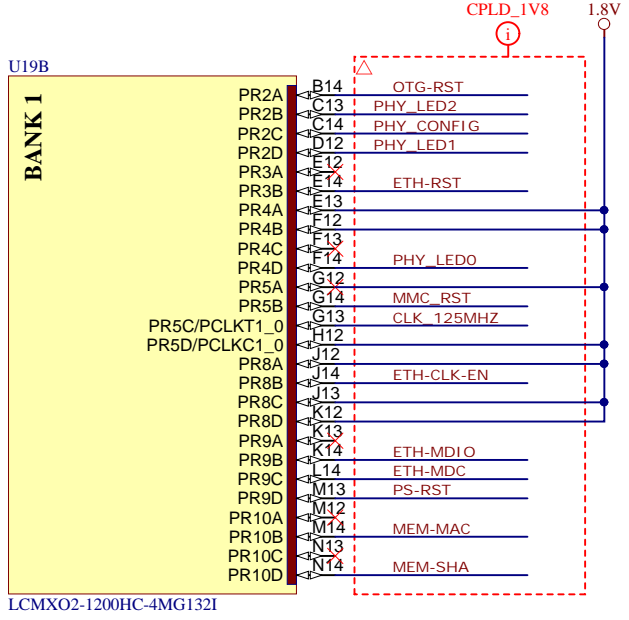
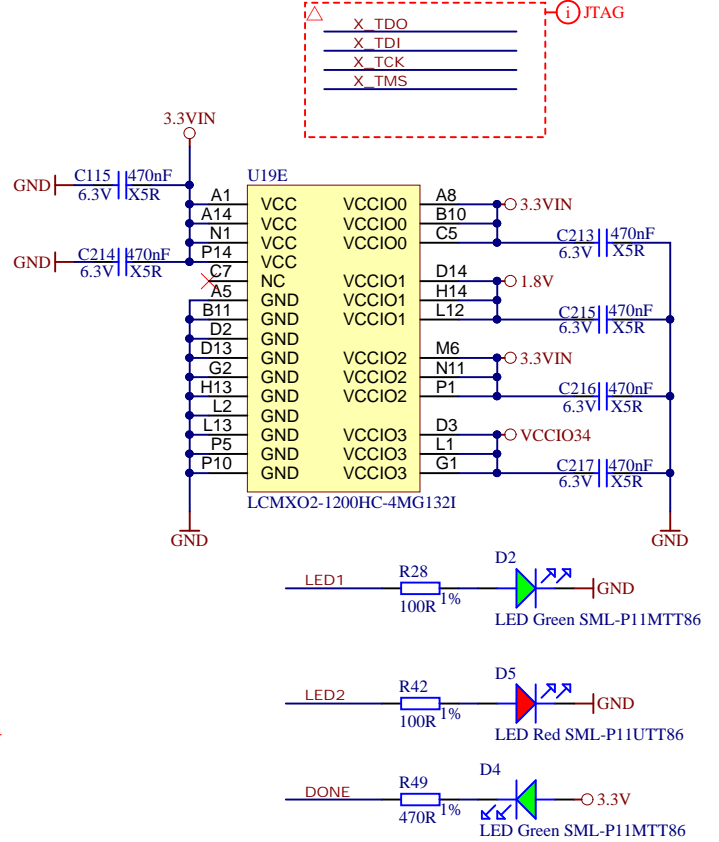
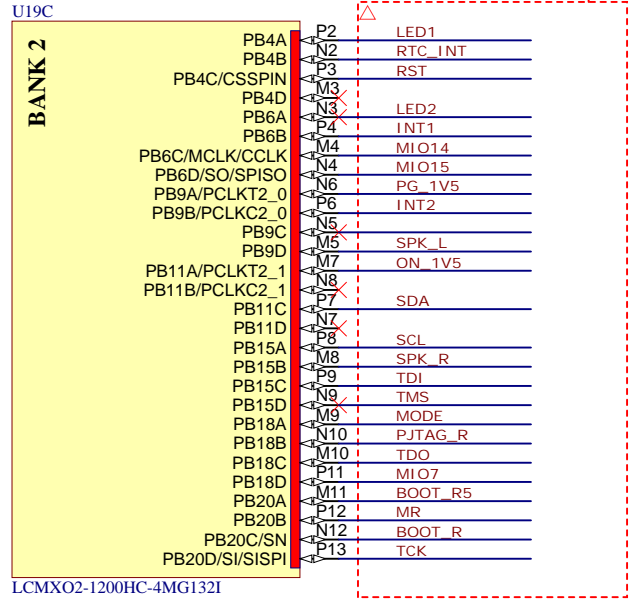
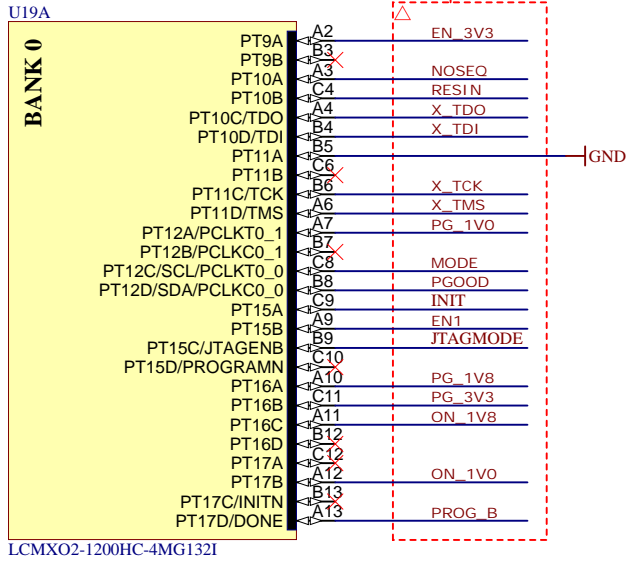
D



Title: GigaZee - MIO - Config		
A4	Number: TE0720 TE0720-1QFL	Rev. 03
Date: 2015-10-12	Copyright: 2013 Trenz Electronic GmbH	Page4 of 15
Filename: MIO-BANKS.SchDoc		



Title: GigaZee - B13		
A4	Number: TE0720 TE0720-1QFL	Rev. 03
Date: 2015-10-12	Copyright: 2013 Trenz Electronic GmbH	Page5 of 15
Filename: B13.SchDoc		



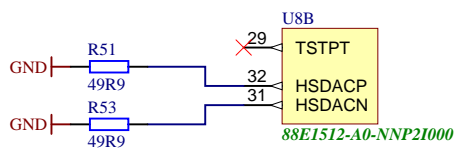
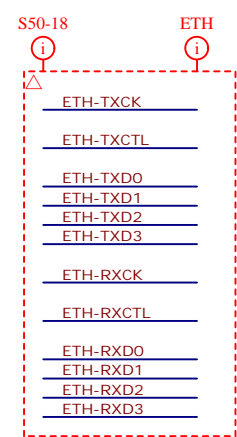
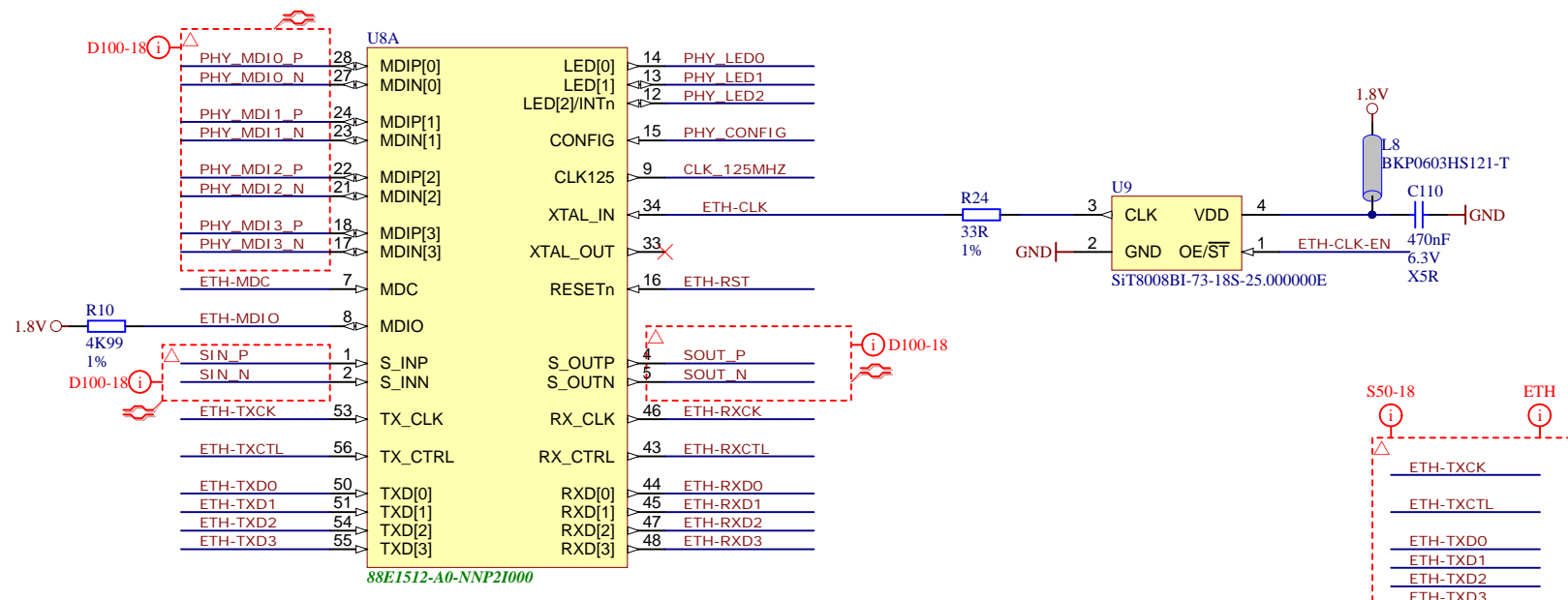
Title: GigaZee - System Controller		
A4	Number: TE0720 TE0720-1QFL	Rev. 03
Date: 2015-10-12	Copyright: 2013 Trenz Electronic GmbH	Page6 of 15
Filename: SystemController.SchDoc		


A

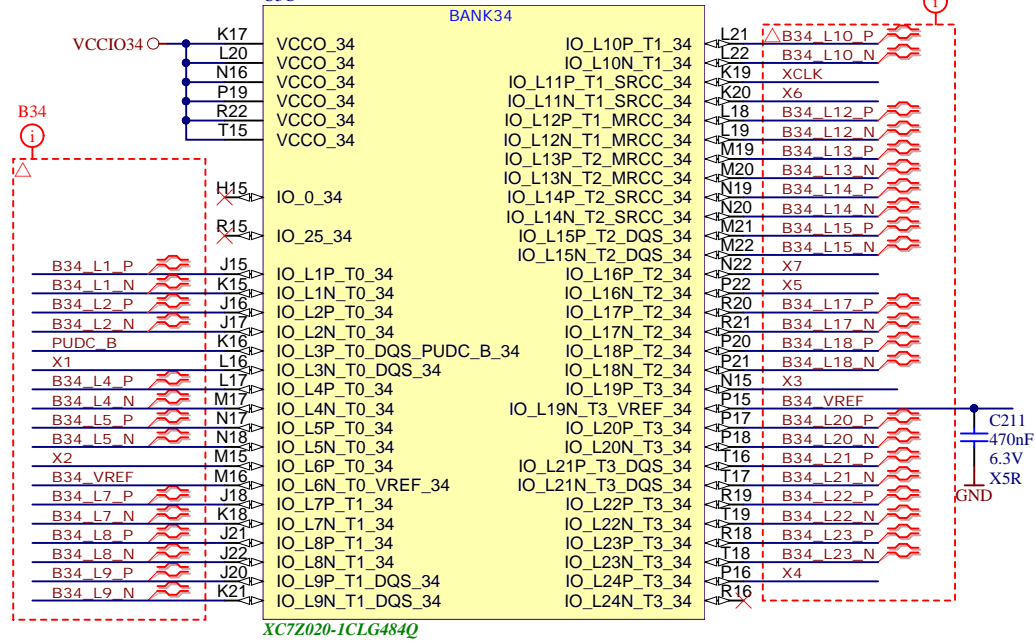
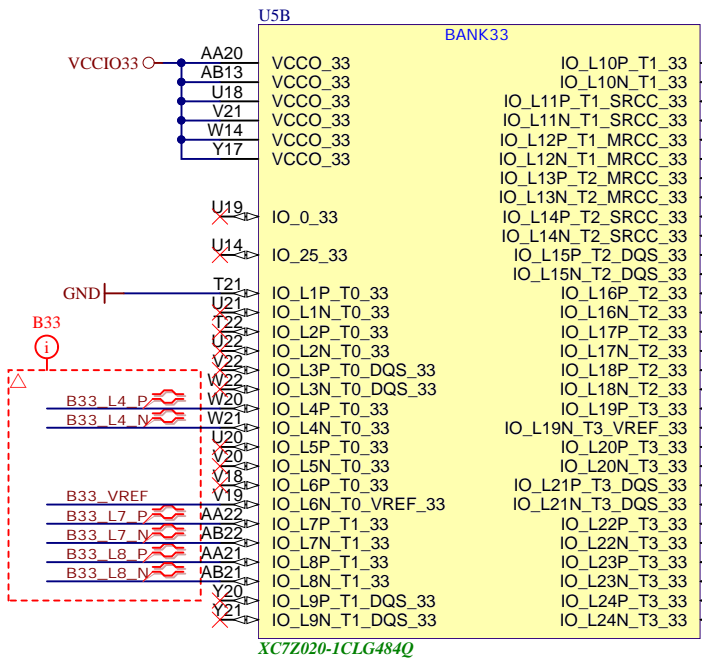
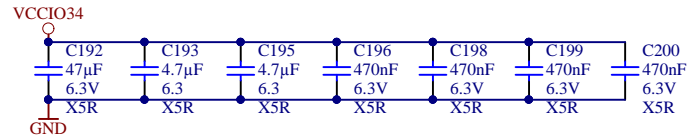
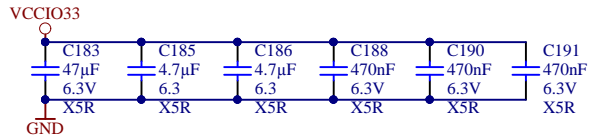
B

C

D



		Title: GigaZee - Ethernet	
		A4	Number: TE0720 TE0720-1QFL
Date: 2015-10-12		Copyright: 2013 Trenz Electronic GmbH	
Page 7		of 15	
Filename: ETH-PHY.SchDoc			

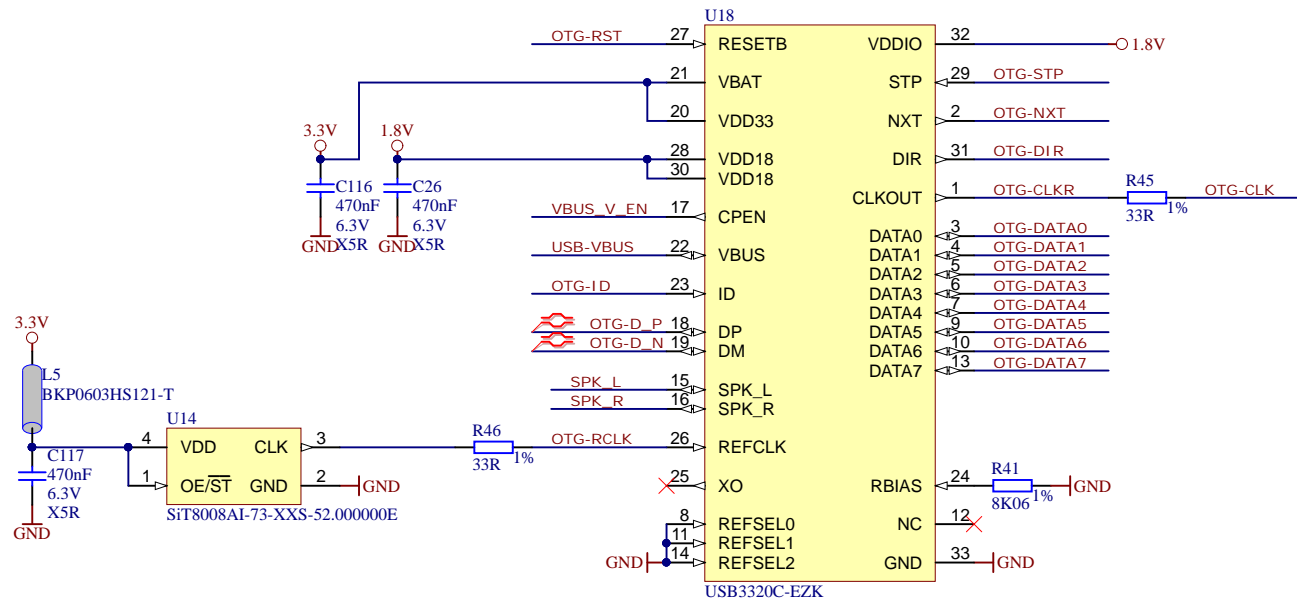


XC7Z020-1CLG484Q

XC7Z020-1CLG484Q



Title: GigaZee - B33 - B34		
A4	Number: TE0720 TE0720-1QFL	Rev. 03
Date: 2015-10-12	Copyright: 2013 Trenz Electronic GmbH	Page8 of 15
Filename: B33-B34.SchDoc		



	Title: GigaZee - USB		
	A4	Number: TE0720 TE0720-1QFL	Rev. 03
	Date: 2015-10-12	Copyright: 2013 Trenz Electronic GmbH	Page 10 of 15
	Filename: USB-PHY.SchDoc		

A

B

C

D

A

B

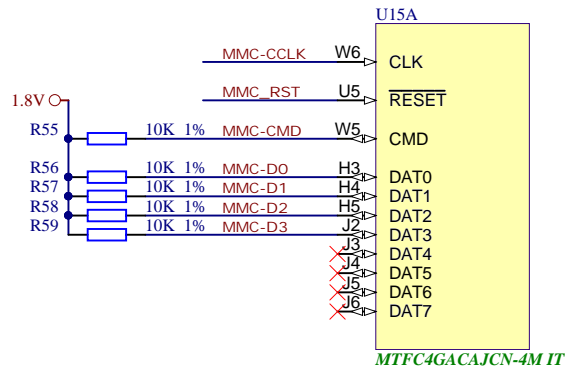
C

D

U15D

A4	NC	NC	R2
A6	NC	NC	R3
A9	NC	NC	R12
A11	NC	NC	R13
B2	NC	NC	R14
B13	NC	NC	T1
D1	NC	NC	T2
D14	NC	NC	T3
H1	NC	NC	T12
H2	NC	NC	T13
H8	NC	NC	T14
H9	NC	NC	U1
H10	NC	NC	U2
H11	NC	NC	U3
H12	NC	NC	U12
H13	NC	NC	U13
H14	NC	NC	U14
J1	NC	NC	V1
J7	NC	NC	V2
J8	NC	NC	V3
J9	NC	NC	V12
J10	NC	NC	V13
J11	NC	NC	V14
J12	NC	NC	W1
J13	NC	NC	W2
J14	NC	NC	W3
K1	NC	NC	W7
K3	NC	NC	W8
K7	NC	NC	W9
K8	NC	NC	W10
K9	NC	NC	W11
K10	NC	NC	W12
K11	NC	NC	W13
K12	NC	NC	W14
K13	NC	NC	Y1
K14	NC	NC	Y3
L1	NC	NC	Y6
L2	NC	NC	Y7
L3	NC	NC	Y8
L4	NC	NC	Y9
L12	NC	NC	Y10
L13	NC	NC	Y11
L14	NC	NC	Y12
M1	NC	NC	Y13
M2	NC	NC	Y14
M3	NC	NC	AA1
M12	NC	NC	AA2
M13	NC	NC	AA8
M14	NC	NC	AA9
N1	NC	NC	AA11
N2	NC	NC	AA12
N3	NC	NC	AA13
N12	NC	NC	AA14
N13	NC	NC	AE1
N14	NC	NC	AE14
P1	NC	NC	AG2
P2	NC	NC	AG13
P12	NC	NC	AH4
P13	NC	NC	AH6
P14	NC	NC	AH9
R1	NC	NC	AH11

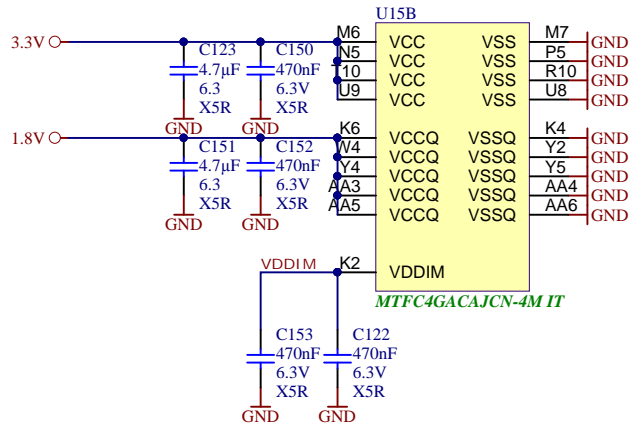
MTFC4GACAJCN-4M IT



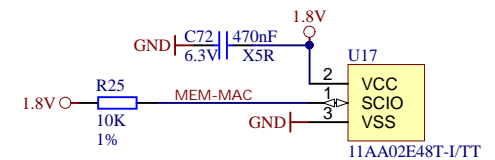
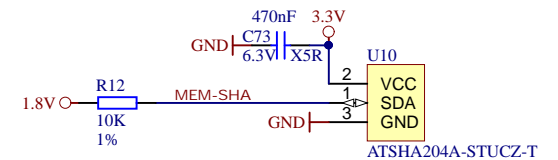
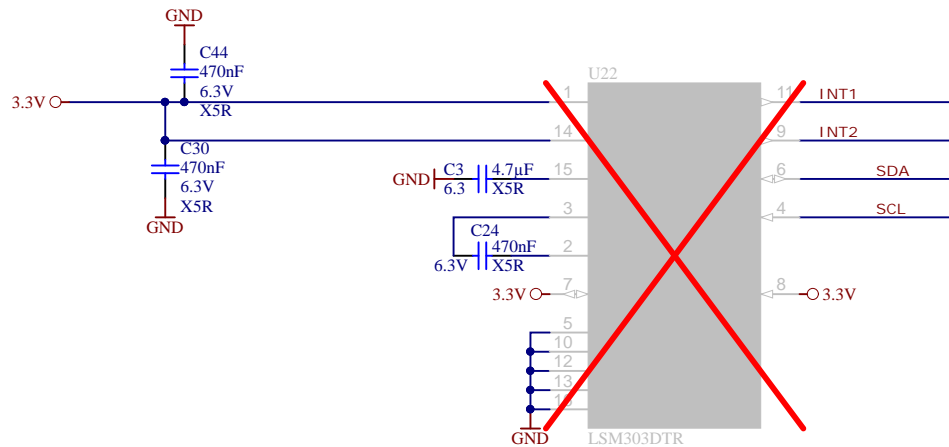
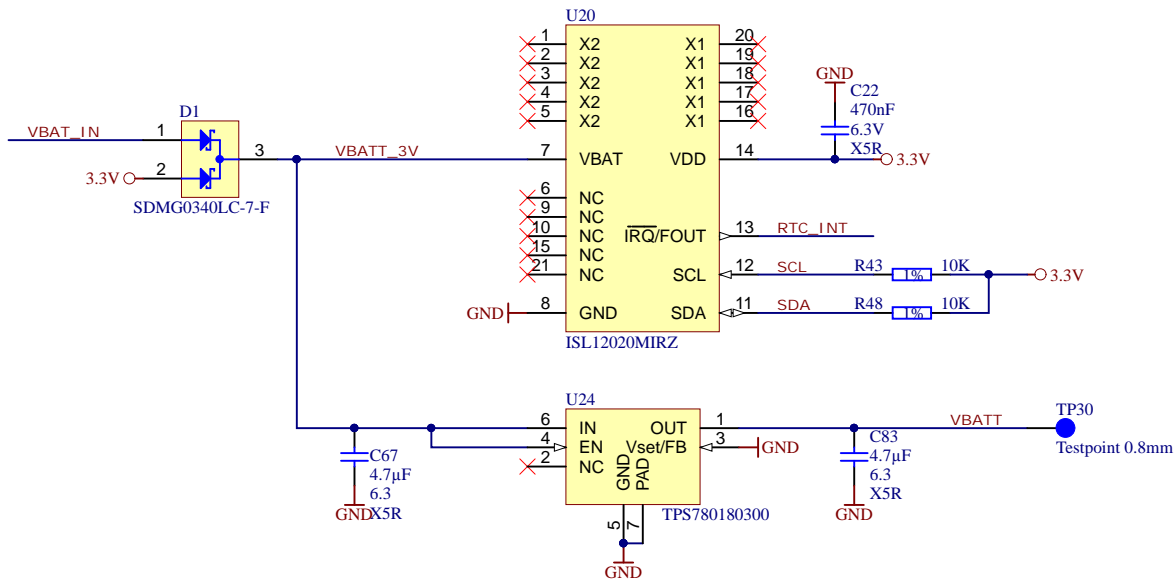
U15C

H6	RFU
H7	RFU
K5	RFU
M5	RFU
M8	RFU
M9	RFU
M10	RFU
N10	RFU
P3	RFU
P10	RFU
R5	RFU
T5	RFU
U6	RFU
U7	RFU
U10	RFU
AA7	RFU
AA10	RFU

MTFC4GACAJCN-4M IT



Title: GigaZee - eNAND		
A4	Number: TE0720 TE0720-1QFL	Rev. 03
Date: 2015-10-12	Copyright: 2013 Trenz Electronic GmbH	Page 11 of 15
Filename: eMMC.SchDoc		



	Title: GigaZee - RTC, MEMS, SHA, MAC		
	A4	Number: TE0720 TE0720-1QFL	Rev. 03
	Date: 2015-10-12	Copyright: 2013 Trenz Electronic GmbH	Page 12 of 15
	Filename: SENSOR-RTC.SchDoc		

A

A

B

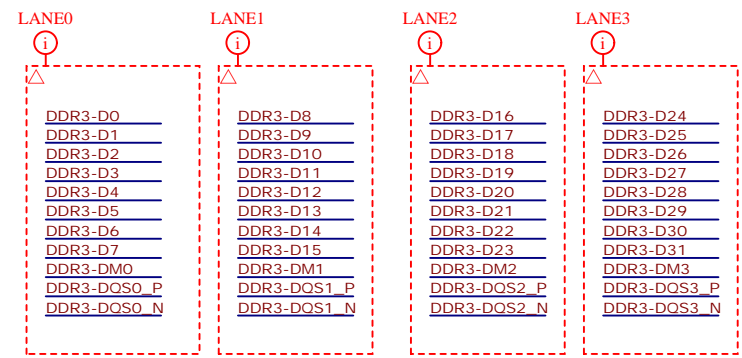
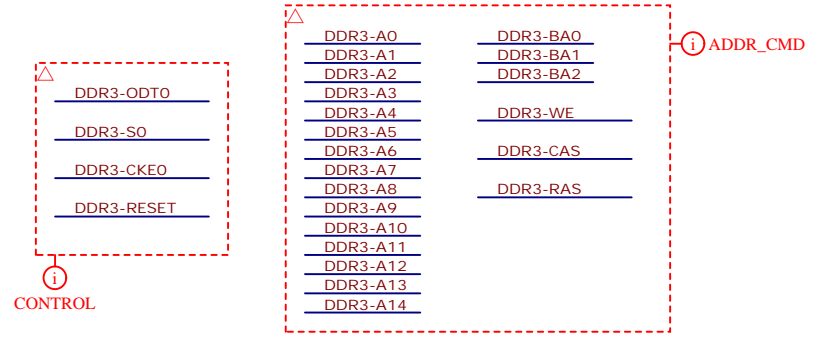
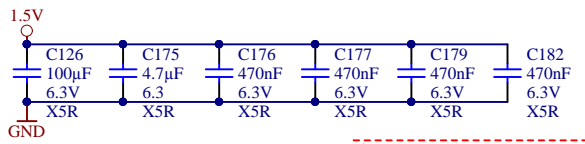
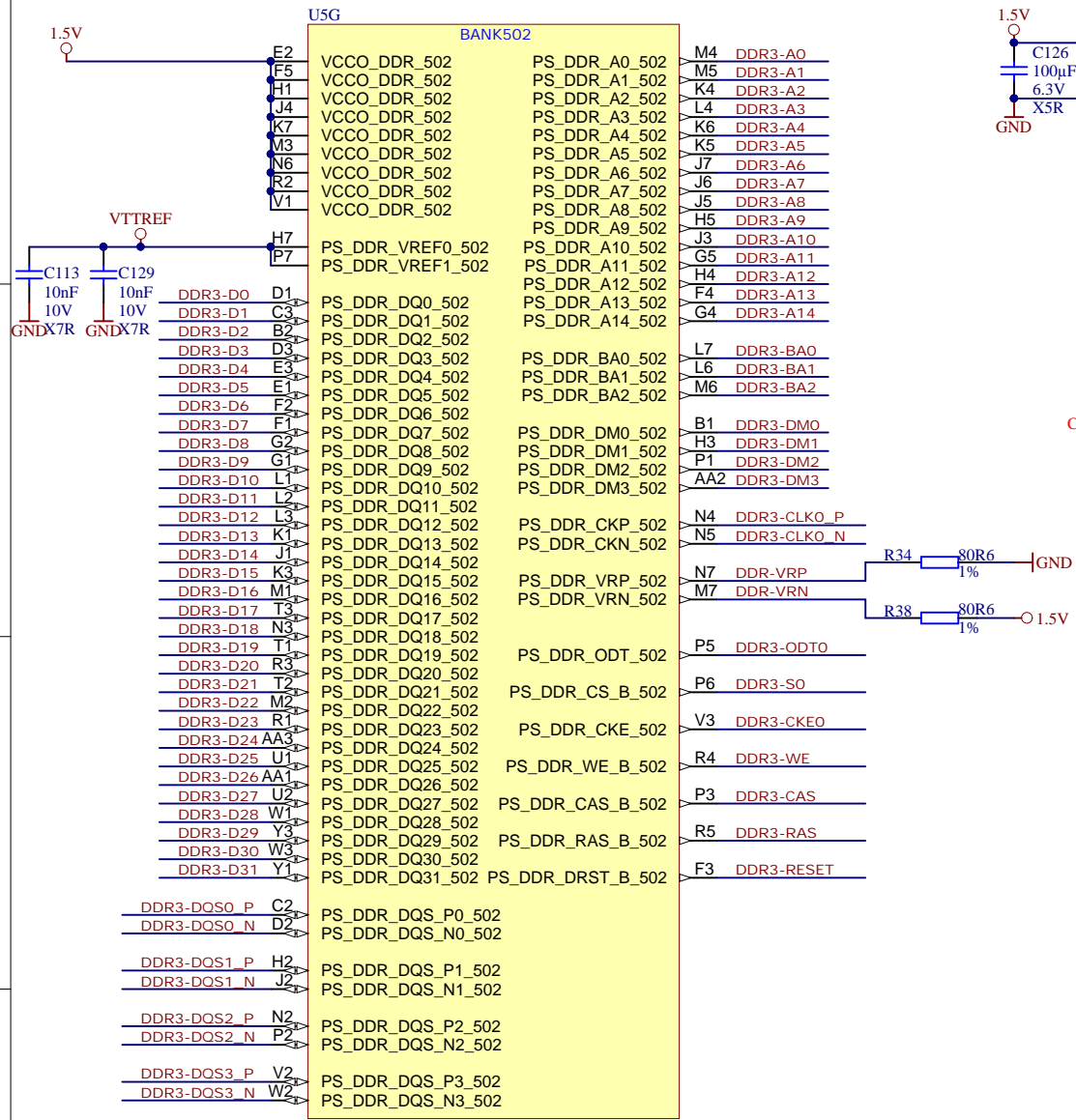
B

C

C

D

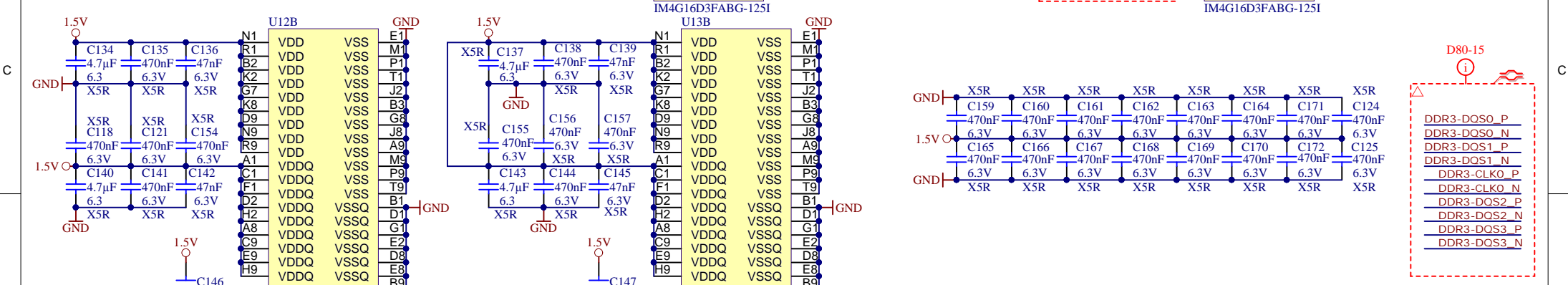
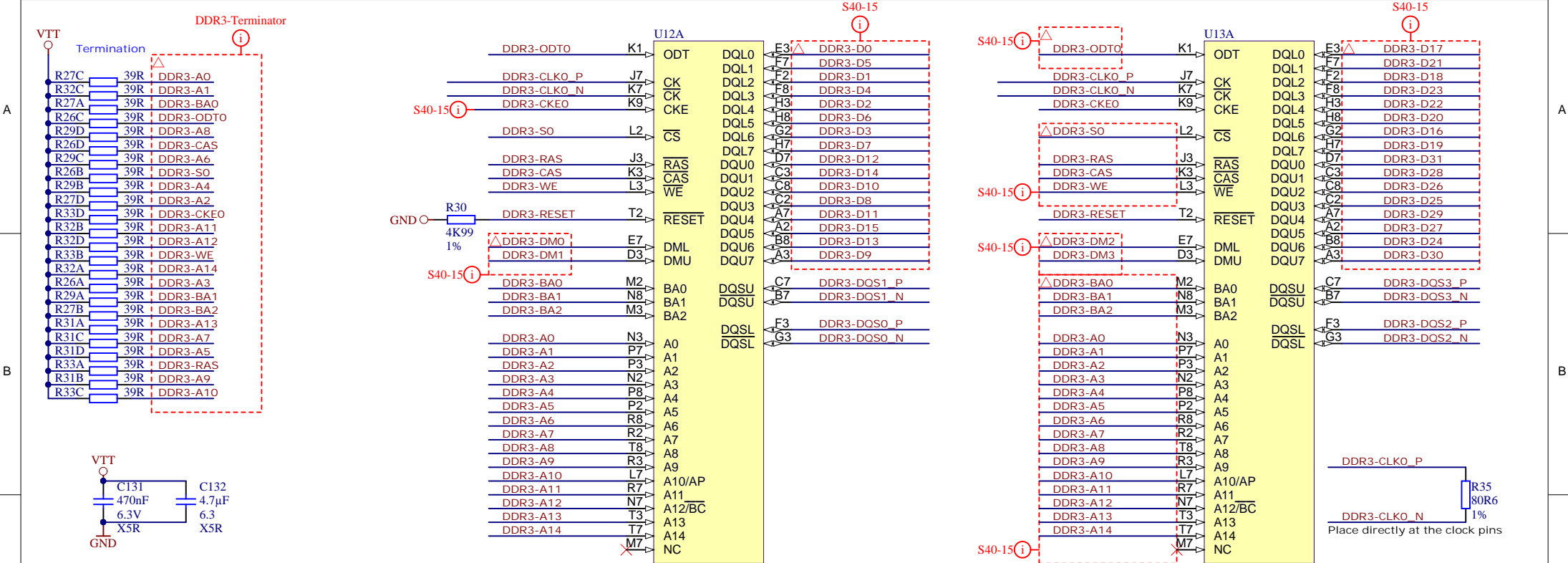
D



XC7Z020-1CLG484Q



Title: GigaZee - B502		
A4	Number: TE0720 TE0720-1QFL	Rev. 03
Date: 2015-10-12	Copyright: 2013 Trenz Electronic GmbH	Page13 of 15
Filename: PS-DDR.SchDoc		



Title: GigaZee - DDR3		
A4	Number: TE0720 TE0720-1QFL	Rev. 03
Date: 2015-10-12	Copyright: 2013 Trenz Electronic GmbH	Page 14 of 15
Filename: DDR3-RAM.SchDoc		

B35 48 IO, 24 LVDS Pairs
 MIO0 8 IO, 3.3V
 MIO1 6 IO 1.8V
 ETH MDI Copper

B34 36 IO, 18 LVDS Pairs
 USB OTG
 ETH SGMII

B33 18 IO, 9 LVDS Pairs
 B13 48 IO, 24 LVDS Pairs
 B13 2 IO

A

A

B

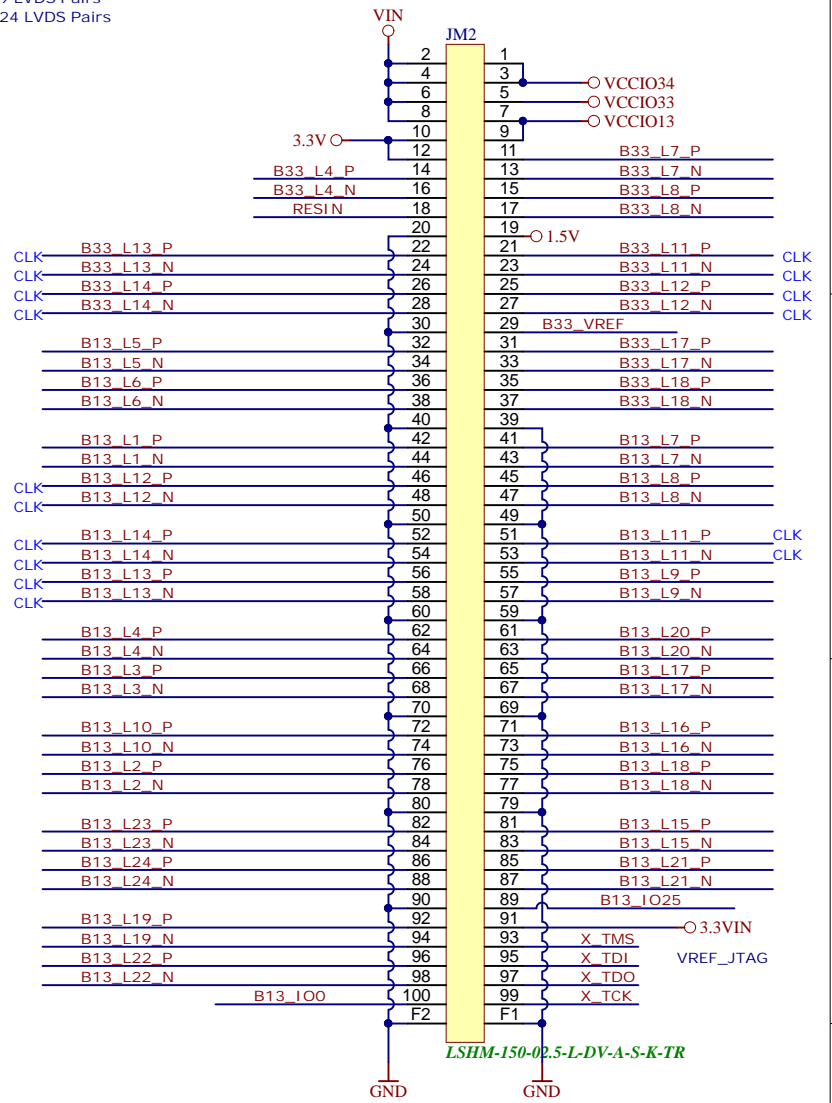
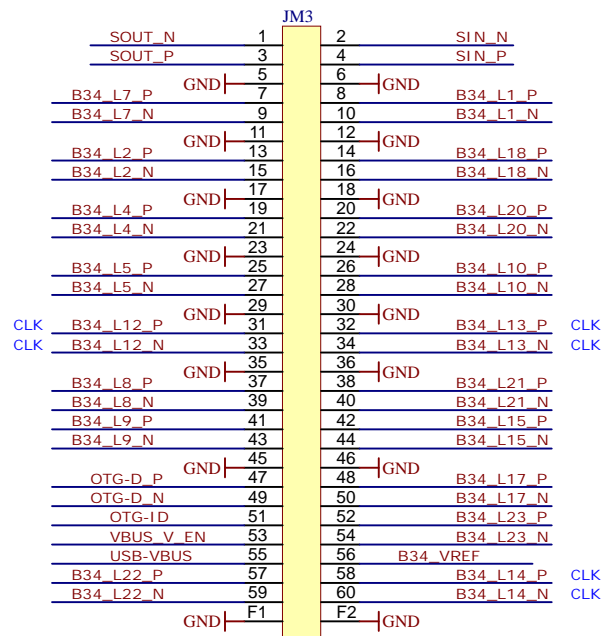
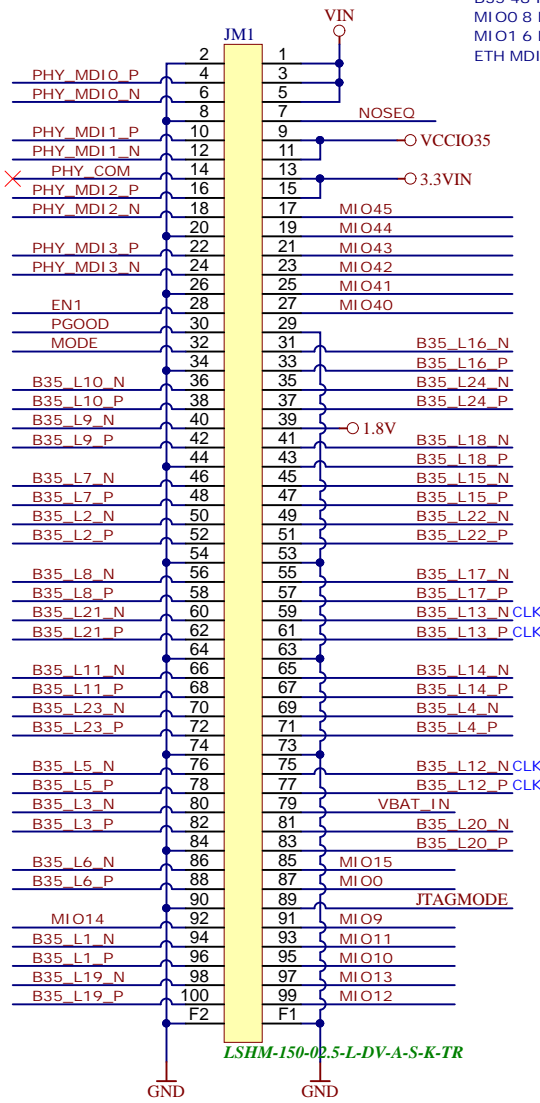
B

C

C

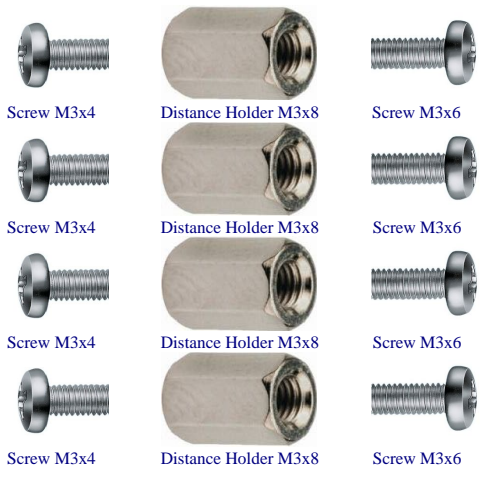
D

D



LSHM-130-02.5-L-DV-A-S-K-TR

Top of Board



Title: GigaZee - B2B Connector		
A4	Number: TE0720 TE0720-1QFL	Rev. 03
Date: 2015-10-12	Copyright: 2013 Trenz Electronic GmbH	Page 15 of 15
Filename: B2B-Connectors.SchDoc		