



Features ▶▶▶

- Automatic MDI/MDI-X crossover for plug-and-play
- Store-and-forward architecture
- Each port supports both 10/100 Mbps speed auto negotiation
- Full duplex IEEE 802.3x and half duplex backpressure flow control
- Rugged RJ-45 connector for anti-vibration and shock
- IP67 grade protection approval

Introduction

The NS-205-IP67 is designed for industrial applications in harsh environments. The rugged RJ-45 ensure tight, robust connections, and guarantee reliable operation, even for applications that are subject to high vibration and shock.

The Ethernet switch support IEEE 802.3/802.3u/802/3x with 10/100M, full/half-duplex, MDI/MDI-X auto-sensing, and provide an economical solution for your industrial Ethernet network.

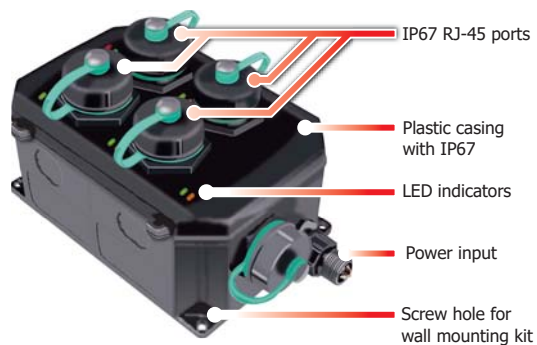
Comparison Table of 5/8-port IP67 Ethernet Switch

Mode Name	NS-205-IP67	NS-208PSE-IP67	NS-208-IP67
PoE	-	802.3af x 8	-
Input Voltage Range	+10 Vdc ~ +30 Vdc (1 kV Isolated)	+46 Vdc ~ +53 Vdc	+12 Vdc ~ +53 Vdc
Installation	Wall Mounting	Wall Mounting	
Dimensions (W x L x H) (Unit: mm)	85 x 137 x 76	190 x 155 x 104	

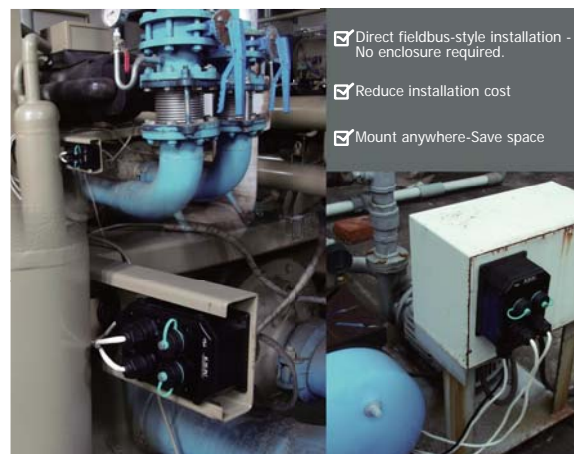
Specifications

Technology	
Standards	IEEE 802.3, 802.3u, 802.3x, 10/100 Base-T(X) auto negotiation speed, F/H duplex mode, and auto MDI/MDI-X connection
Processing Type	Store & forward; wire speed switching
MAC Addresses	1024
Memory Bandwidth	1.4 Gbps
Frame Buffer Memory	256 Kbit
Flow Control	IEEE 802.3x flow control, back pressure flow control
Interface	
LED Indicators	PWR, 10/100M, Link/Act
Ethernet Isolation	1500 V _{rms} 1 minute
Connector	Rugged RJ-45
Power Input	
Input Voltage Range	+10 V _{DC} ~ +30 V _{DC} (1 kV Isolated)
Power Consumption	0.12 A @ 24 V _{DC}
Protection	Power reverse polarity protection
Connector	IP67 PWR Plug
Mechanical	
Casing	Plastic (Flammability UL 94V-0)
Environmental Rating	Protection rating IP67 for Operating Temperature -10 °C ~ +60 °C
	Protection rating IP66 for Operating Temperature -40 °C ~ +75 °C
Dimensions (W x L x H)	85 mm x 137 mm x 76 mm
Installation	Wall mounting
Environment	
Operating Temperature	-10 °C ~ +60 °C (Protection rating IP67)
	-40 °C ~ +75 °C (Protection rating IP66)
Storage Temperature	-10 °C ~ +60 °C (Protection rating IP67)
	-40 °C ~ +75 °C (Protection rating IP66)
Ambient Relative Humidity	100% RH for Operating Temperature -10 °C ~ +60 °C
	10% ~ 90% RH, non-condensing for Operating Temperature -40 °C ~ +75 °C

Appearance



Applications



Industrial
IP67

5-port
Unmanaged
Ethernet Switch

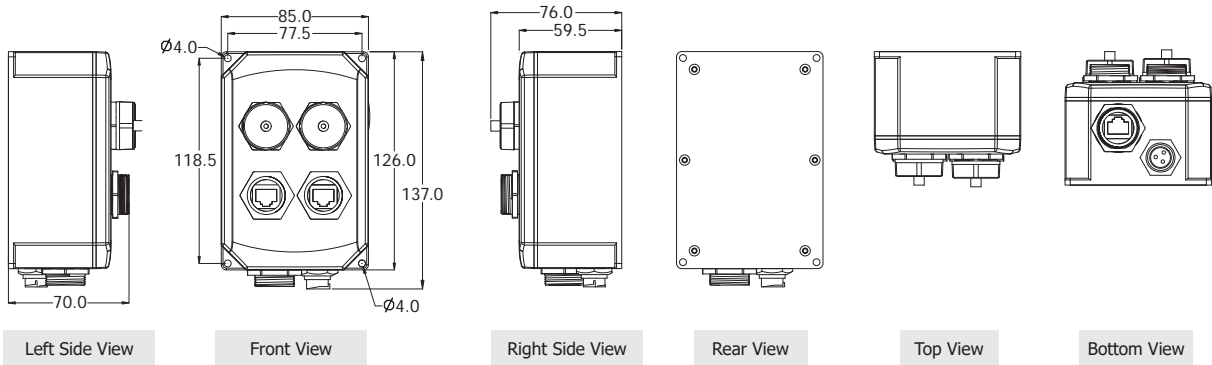
• **NS-205-IP67**



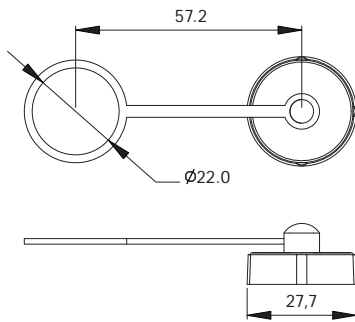
IP67 grade protection approval
Rugged RJ-45 connector for anti-vibration and shock

Dimensions (Units: mm)

NS-205-IP67

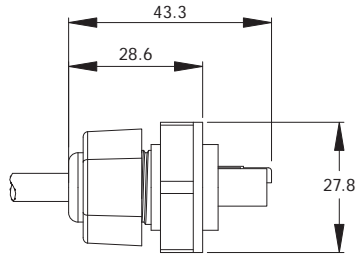


IP67 Ethernet Cap with Tether



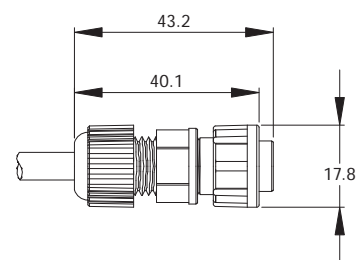
IP67 Ethernet Plug

Cable Dia:
Max. 7.0 mm
Min. 5.5 mm



IP67 PWR Plug

Cable Dia:
Max. 6.5 mm
Min. 5.0 mm



Ordering Information

NS-205-IP67 CR

Industrial 5-port unmanaged IP67 Ethernet switch (RoHS)

Includes 4SASO-0001 (IP67 RJ-45 Plug) x 5, 4SASO-0004 (Cap with Tether) x 5 and 4SIO1K0000016 (IP67 Power Plug) x 1

Accessories

