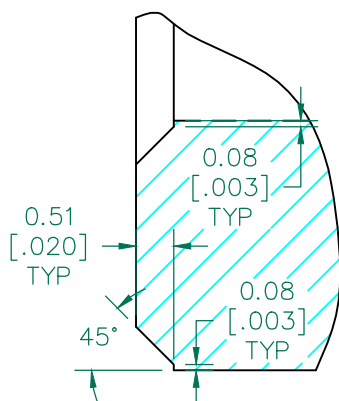


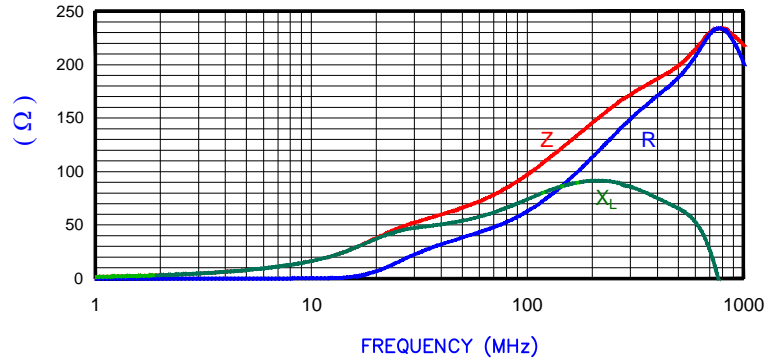
SEE  
DETAIL "A"  
SECTION A-A



DETAIL "A"  
CHAMFER  
SCALE=10:1

NET IMPEDANCE ( Z )			
Frequency	300 MHz	500 MHz	1 GHz
Nominal (REF)	170 Ω	198 Ω	220 Ω
Minimum	- Ω	184 Ω	- Ω

NET Z,R AND X vs. FREQUENCY  
(REF. ONLY)



AGILENT E4991A Impedance/Material Analyzer  
HP 16092A-Test Fixture REF #4101

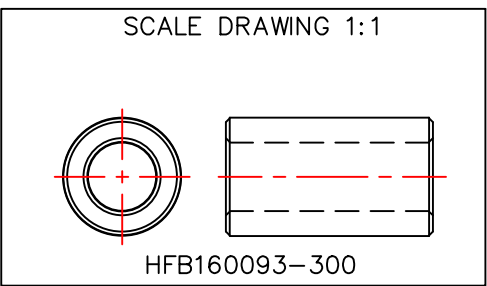
FERRITE CORE DIMENSIONS (SPEC):

A	16.00 [0.630]	±	0.30 [0.012]
B	9.25 [0.364]	±	0.20 [0.008]
C	27.99 [1.102]	±	0.76 [0.030]

WEIGHT/1000 18.54 kgs [40.89 Lbs]

NOTES: UNLESS OTHERWISE SPECIFIED

1. COSMETIC SPECIFICATION REFER TO WI-QA-038.



DIMENSIONS ARE IN mm [INCHES].				This print is the property of Laird Tech. and is loaned in confidence subject to return upon request and with the understanding that no copies shall be made without the written consent of Laird Tech. All rights to design or invention are reserved.		<b>Laird</b>	
C	CHANGE CHAMFER	01/26/16	QIU	PROJECT/PART NUMBER: <b>HFB160093-300</b>		REV <b>C</b>	DRAWN BY: JRK
B	UPDATE COMPANY LOGO	01/07/13	QIU	DATE: 05/17/04	SCALE: 2:1	MATERIAL: HF	
A	ORIGINAL DRAFT	05/17/04	JRK	CAD # HFB160093-300-C	TOOL # B0631		
REV	DESCRIPTION	DATE	INT				