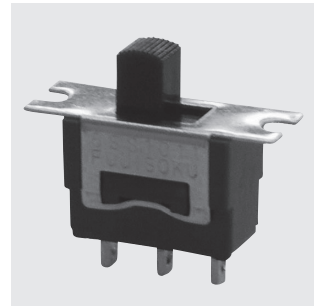


8SS

Sub-miniature Slide Switch

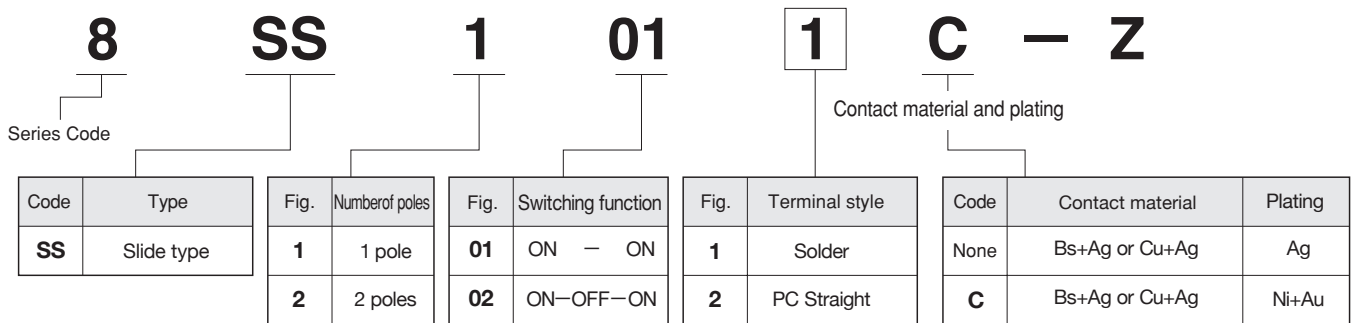


RoHS Compliant

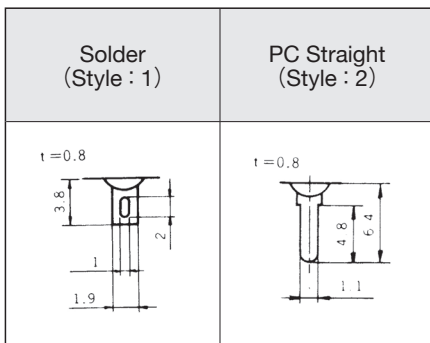
Specifications

Contact specs.		Silver contacts	Gold-plated contacts
Rating	Max.	125VAC 6A 30VDC 4A	20VDC 25mA 125VAC 6A
	Min.	5VAC/DC 100mA	20mVAC/DC 1μA
Initial contact resistance		10mΩ max. (2~4VDC 1A)	20mΩ max. (200μVAC 1.5mA)
Initial dielectric strength		1,000VAC 1 minute	
Initial insulation resistance		1,000MΩ min. (500VDC)	
Electrical life	ON — ON	30,000 cycles	
	ON — OFF — ON	20,000 cycles	
Mechanical life		100,000 cycles	
Switch timing		-30~+85°C	
Operating temperature range		-40~+85°C	

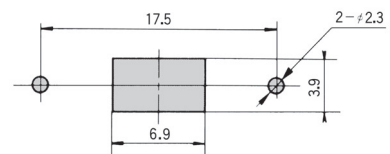
Part Numbering



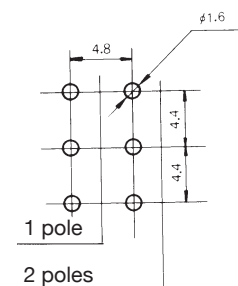
Terminal Styles



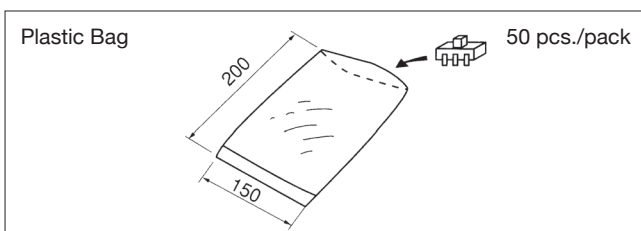
Panel Cut-Out Dimensions



PC Hole Layouts

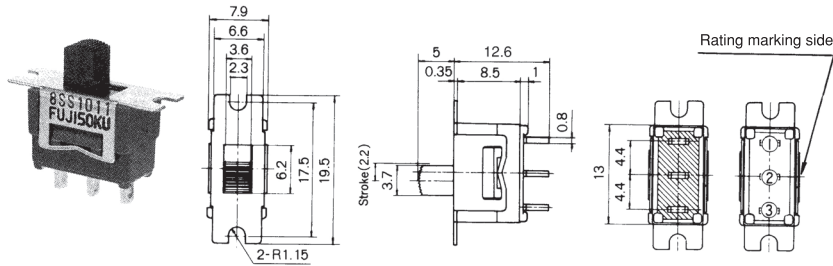


Packaging Specifications



SPDT

Solder terminals



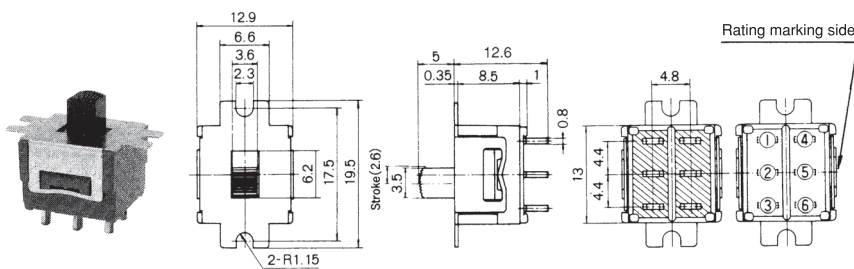
S/D

The terminal numbers are not shown on the switch.

Switching function	Viewed from rating marking side		
Part No.			
8SS1011-Z	ON	-	ON
★8SS1011C-Z	ON	OFF	ON
★8SS1021-Z	ON	OFF	ON
★8SS1021C-Z	ON	OFF	ON
Connecting terminals	2-1	-	2-3

DPDT

Solder terminals



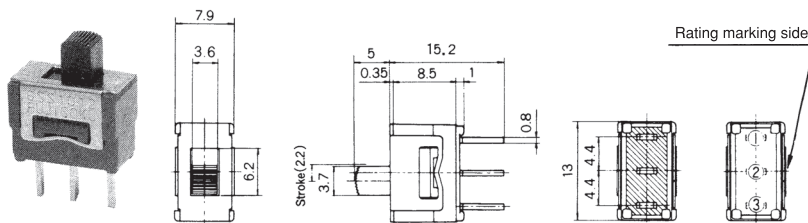
S/D

The terminal numbers are not shown on the switch.

Switching function	Viewed from rating marking side		
Part No.			
8SS2011-Z	ON	-	ON
★8SS2011C-Z	ON	OFF	ON
★8SS2021-Z	ON	OFF	ON
★8SS2021C-Z	ON	OFF	ON
Connecting terminals	2-1 5-4	-	2-3 5-6

SPDT

PC Straight



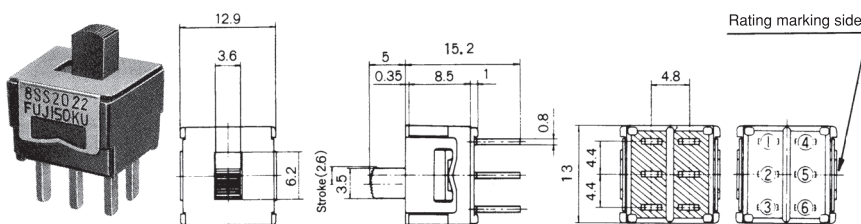
P/C

The terminal numbers are not shown on the switch.

Switching function	Viewed from rating marking side		
Part No.			
8SS1012-Z	ON	-	ON
▲8SS1012C-Z	ON	OFF	ON
★8SS1022-Z	ON	OFF	ON
★8SS1022C-Z	ON	OFF	ON
Connecting terminals	2-1	-	2-3

DPDT

PC Straight



P/C

The terminal numbers are not shown on the switch.

Switching function	Viewed from rating marking side		
Part No.			
8SS2012-Z	ON	-	ON
★8SS2012C-Z	ON	OFF	ON
★8SS2022-Z	ON	OFF	ON
★8SS2022C-Z	ON	OFF	ON
Connecting terminals	2-1 5-4	-	2-3 5-6