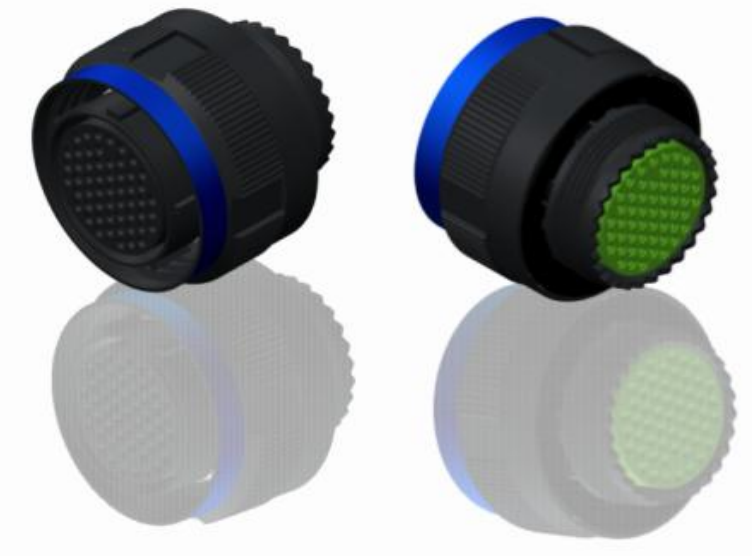
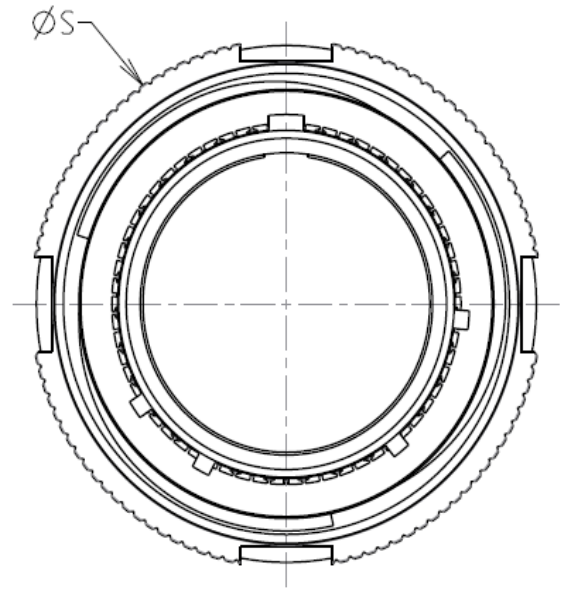
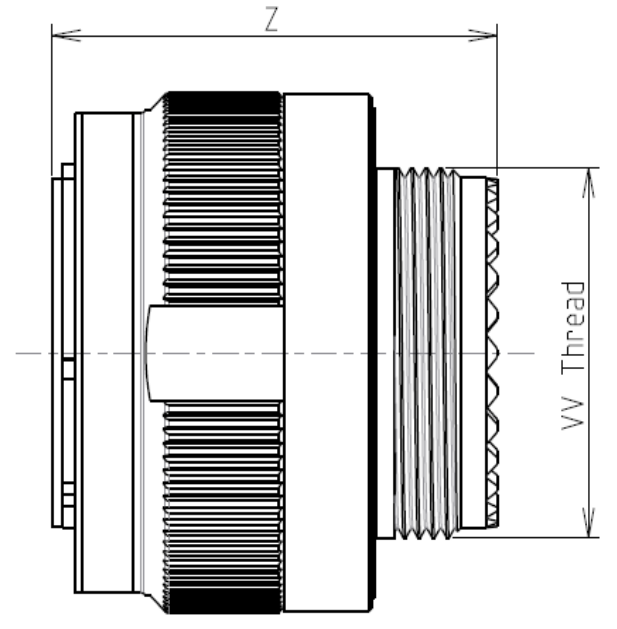


H G F E D C B A



LAYOUT SHOWN AS EXAMPLE

Keying Shown as example

**CHARACTERISTICS**

- Standard : Based on MIL-DTL-38999 Series III
- Shell Material : Aluminium
- Shell Plating : Black Zinc Nickel
- Insulator : Thermoplastic
- Contacts : Copper Alloy
- Seals & Grommet : Silicon Elastomer
- Contact Plating : Gold over copper Alloy 0.8µm minimum
- Durability : 500 Mating cycles
- Delivered with Souriau contacts and Accessories
- Temperature Range : -65°C to +175°C
- Salt Spray : 500 hours

| Connector dimension |          |
|---------------------|----------|
| Dim                 | Nominal  |
| ØS                  | 48 Max   |
| Z                   | 31 Max   |
| VV THREAD           | M37x1-6g |

SOURIAU shall not be liable for any non-conformity or damage due to a use of the Products which does not comply with the Specifications issued by either of the Parties or by a third party (professional recommendation, technical notice.)

| Country | Jurisdiction & Control List |
|---------|-----------------------------|
| FR      | Not Listed                  |

**PN: 8D525Z17BC**

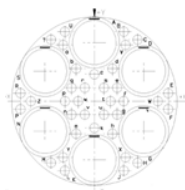
|              |   |                                |   |
|--------------|---|--------------------------------|---|
| A            | 17-10-2016  | First Release                  |   |
| ISS          | DATE  | Latest modification - by       | MOD N°  |
| Designed By: |   | Date:                          | <b>CUSTOMER DRAWING</b>   |
| <b>TITLE</b> | <b>Aluminium Plug 8D series</b>                                     |                                |   |
| SCALE        |   | General linear Tolerances: ±-- | NPRDS / PROJECT<br><b>859</b>   |
| NA           | <b>SOURIAU</b> <a href="http://WWW.SOURIAU.COM">WWW.SOURIAU.COM</a> |                                | This document is the property of SOURIAU it must not be reproduced or communicated without permission |
| FORMAT       | <b>A3</b>   |                                | <b>SOURIAU DRG N° 8D525Z17BC-C</b>  |
|              |   |                                | SHEET<br>1/2  |

|                |                         |   |   |    |   |    |   |   |                                    |
|----------------|-------------------------|---|---|----|---|----|---|---|------------------------------------|
| BASIC SERIES:  | 8D                      | 5 | - | 25 | Z | 17 | B | C | ORIENTATION : C                    |
| SHELL TYPE :   | Plug with RFI Shielding |   |   |    |   |    |   |   |                                    |
| CONTACT TYPE : | Standard Crimp Contact  |   |   |    |   |    |   |   |                                    |
| SHELL SIZE :   | 25                      |   |   |    |   |    |   |   |                                    |
| PLATING :      | Z = Black Zinc Nickel   |   |   |    |   |    |   |   |                                    |
|                |                         |   |   |    |   |    |   |   | CONTACT TYPE : SOCKET(500 Matings) |
|                |                         |   |   |    |   |    |   |   | CONTACT LAYOUT : 25-17             |

H G F E D C B A

Contact Layout

17



36#22D  
6#8 Triax

| 25-17 |        |        |     |        |        |
|-------|--------|--------|-----|--------|--------|
| Ctc   | X      | Y      | Ctc | X      | Y      |
| A     | 0      | 11.1   | Y   | -6.02  | -10.64 |
| B     | 5.69   | 13.16  | Z   | -12.24 | 0      |
| C     | 8.36   | 11.66  | a   | -6.02  | 10.64  |
| D     | 9.52   | 5.71   | b   | -3.5   | 6.17   |
| E     | 14.25  | 1.52   | c   | 0      | 5.08   |
| F     | 14.25  | -1.52  | d   | 3.5    | 6.17   |
| G     | 9.52   | -5.71  | e   | 4.59   | 2.54   |
| H     | 8.36   | -11.66 | f   | 5.66   | 0      |
| J     | 5.69   | -13.16 | g   | 4.39   | -2.54  |
| K     | 0      | -11.1  | h   | 3.5    | -6.17  |
| L     | -5.69  | -13.16 | j   | 0      | -5.08  |
| M     | -8.36  | -11.66 | k   | -3.5   | -6.17  |
| N     | -9.52  | -5.71  | m   | -4.39  | -2.54  |
| P     | -14.25 | -1.52  | n   | -5.66  | 0      |
| R     | -14.25 | 1.52   | p   | -4.39  | 2.54   |
| S     | -9.52  | 5.71   | r   | -1.85  | 2.54   |
| T     | -8.36  | 11.66  | s   | 1.85   | 2.54   |
| U     | -5.69  | 13.16  | t   | 3.12   | 0      |
| V     | 6.02   | 10.64  | u   | 1.85   | -2.54  |
| W     | 12.24  | 0      | v   | -1.85  | -2.54  |
| X     | 6.02   | -10.64 | w   | -3.12  | 0      |

SOURIAU shall not be liable for any non-conformity or damage due to a use of the Products which does not comply with the Specifications issued by either of the Parties or by a third party (professional recommendation, technical notice.)

| Country | Jurisdiction & Control List |
|---------|-----------------------------|
| FR      | Not Listed                  |

PN: 8D525Z17BC

|                |                                    |                                |   |
|----------------|------------------------------------|--------------------------------|---|
| A              | 17-10-2016                         | First Release                  |   |
| ISS            | DATE                               | Latest modification - by       | MOD N°  |
| Designed By:   |                                    | Date:                          | <b>CUSTOMER DRAWING</b>   |
| <b>TITLE</b>   | Aluminium Plug 8D series           |                                |   |
| SCALE          |                                    | General linear Tolerances: ±-- | NPRDS / PROJECT<br><b>859</b>   |
| <b>SOURIAU</b> | <b>WWW.SOURIAU.COM</b>             |                                | This document is the property of SOURIAU it must not be reproduced or communicated without permission |
| FORMAT         | <b>SOURIAU DRG N° 8D525Z17BC-C</b> |                                | SHEET<br>2/2  |