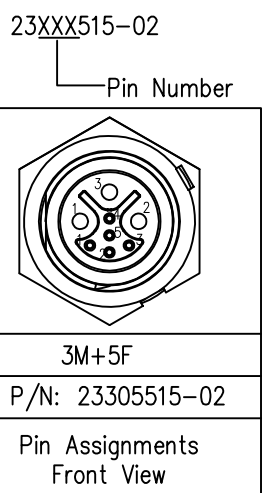
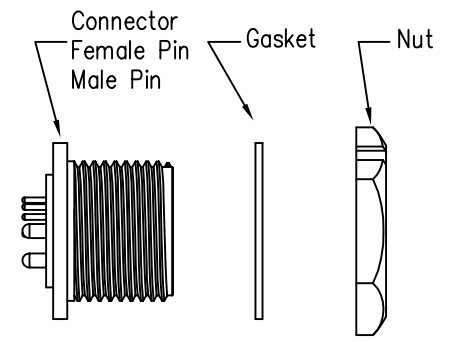
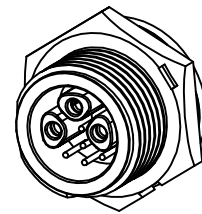
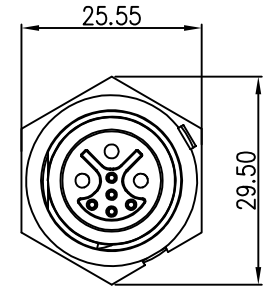
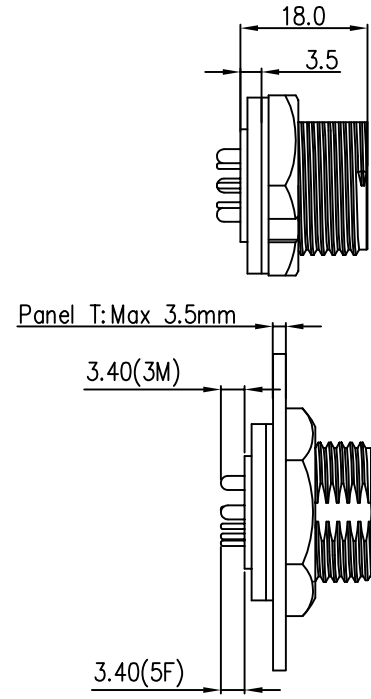
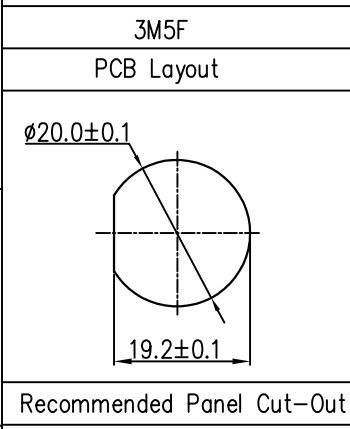
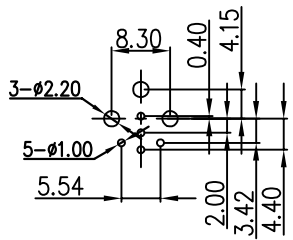


REV.	ECN NO.	DESCRIPTION	SIGN	DATE
C1	N/A	INITIAL DRAWING	Liu	2020/05/13



- Specification:
- 1.Operation Temperature: -45°C~105°C.
  - 2.Insulation Resistance: 100MΩ at DC500V.
  - 3.Contact Resistance: <10mΩ.
  - 4.Withstand Voltage: 1000V AC
  - 5.Operating Current: 15A+2A
  - 6.Operating Voltage: DC 125V+30V
  - 7.Waterproof Rate: IP67 (Mated)
  - 8.Housing: Nylon, Black
  - 9.Female Pin: Copper Alloy, Gold Plated
  - 10.Male Pin: Copper Alloy, Gold Plated
  - 11.Gasket: Silicon Gray
  - 12.Panel Nut: Nylon, Black
  - 13.Torque Rate: 0.8~1.0N·m
  - 14.RoHS Compliant.
  - 15.Mating Cap P/N: 806-00021-00

UNIT:mm	DESCRIPTION Middle Series 3M+5F Screw Type Front Mount Panel	PART NO 23305515-02	DRAWN BY Liu	DATE 2020/05/17
TOLERANCE .X ±0.25 .XX ±0.15 .XXX ±0.05 ANGLES ±1°	SCALE: 1:1 SHEET 1 OF 1	DWG NO	CHECKED BY Mo	DATE 2020/05/17
REV. C1	SIZE A4 * : Inspection Item	CUSTOMER	APPROVED BY Panson	DATE 2020/05/17

**CHOGORI**

THIS INFORMATION IS CONFIDENTIAL AND IS DISCLOSED TO YOU ON CONDITION THAT NO FURTHER DISCLOSURE IS MADE BY YOU TO OTHER THAN CHOGORI PERSONNEL WITHOUT AUTHORIZATION FROM CHOGORI CORP.