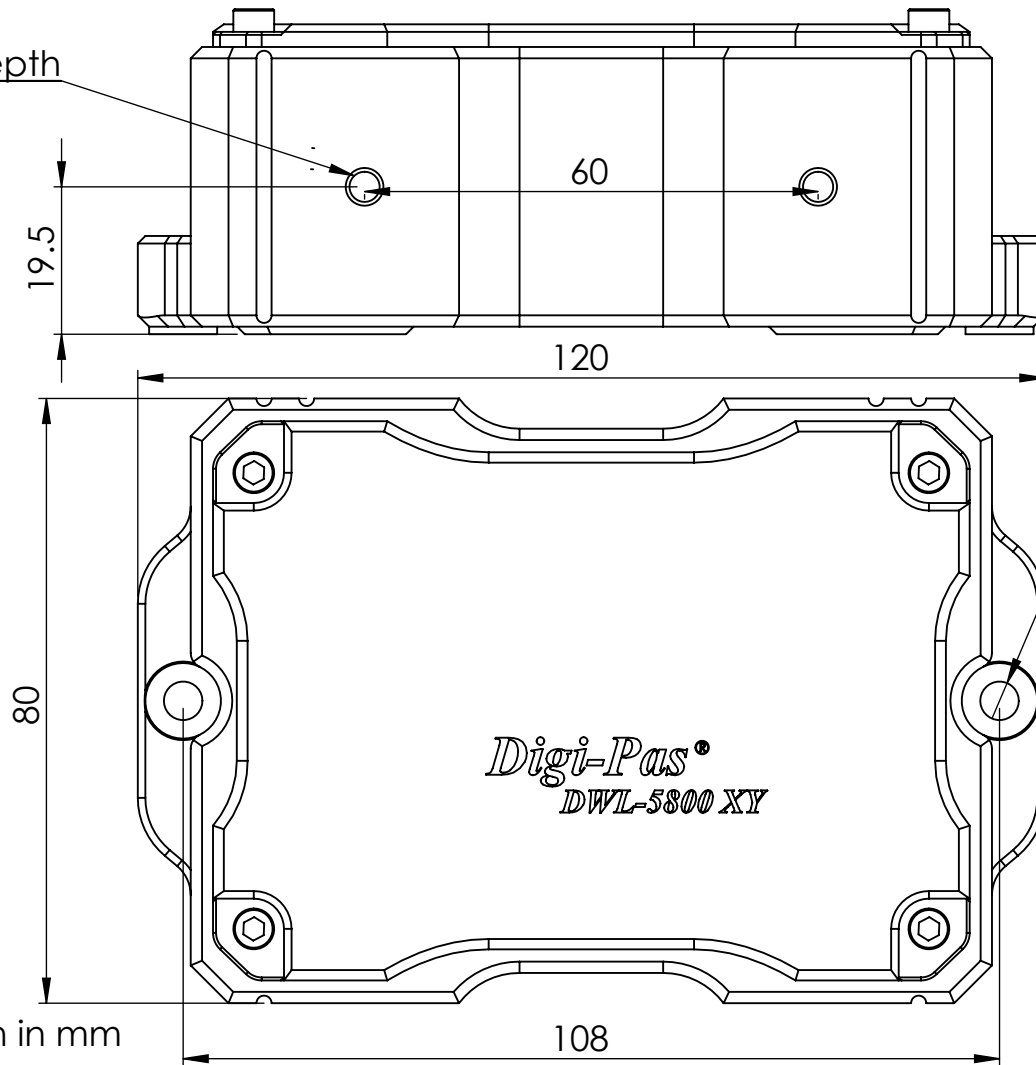
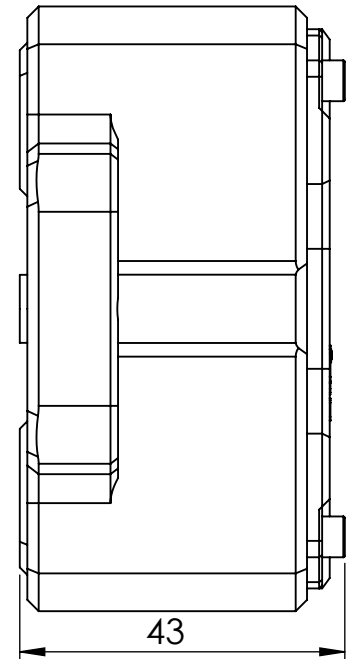


M4X8mm depth



Ø 5.1X 2 holes



All Dimension in mm

**PROPRIETARY AND CONFIDENTIAL**  
 THE INFORMATION CONTAINED IN THIS DRAWING IS THE SOLE PROPERTY OF JSB tech Pte Ltd. ANY REPRODUCTION IN PART OR AS A WHOLE WITHOUT THE WRITTEN PERMISSION OF JSB tech Pte Ltd IS PROHIBITED.

		UNLESS OTHERWISE SPECIFIED:	NAME	DATE	
		DIMENSIONS ARE IN mm FRACTIONAL ± ANGULAR: MACH ± BEND ± TWO PLACE DECIMAL ± THREE PLACE DECIMAL ±	DRAWN		
		INTERPRET GEOMETRIC TOLERANCING PER:	CHECKED		TITLE:
		MATERIAL	ENG APPR.		DWL5800XY_Dimension
		FINISH	MFG APPR.		SIZE DWG. NO. REV
NEXT ASSY	USED ON		Q.A.		<b>A</b>
APPLICATION		DO NOT SCALE DRAWING	COMMENTS:		SCALE: 1:1 WEIGHT: SHEET 1 OF 1