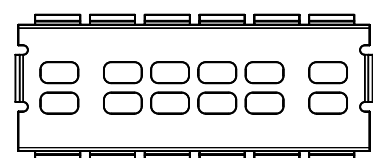
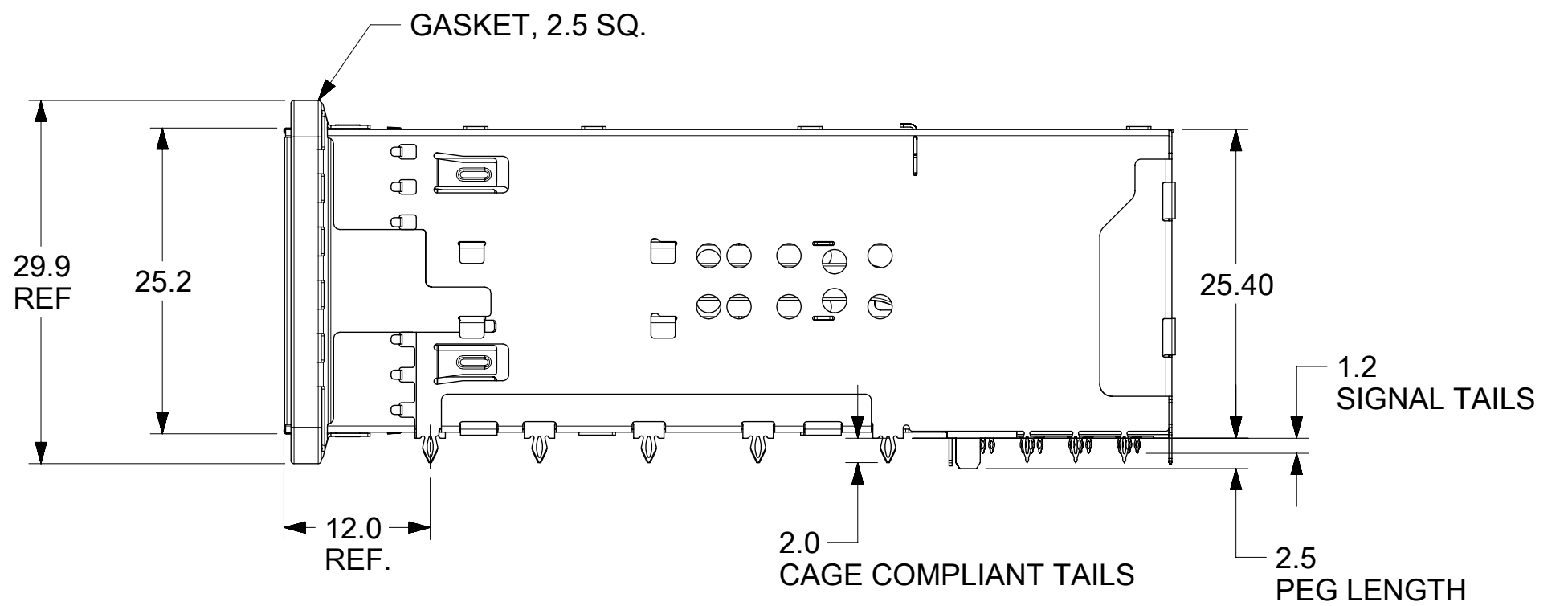
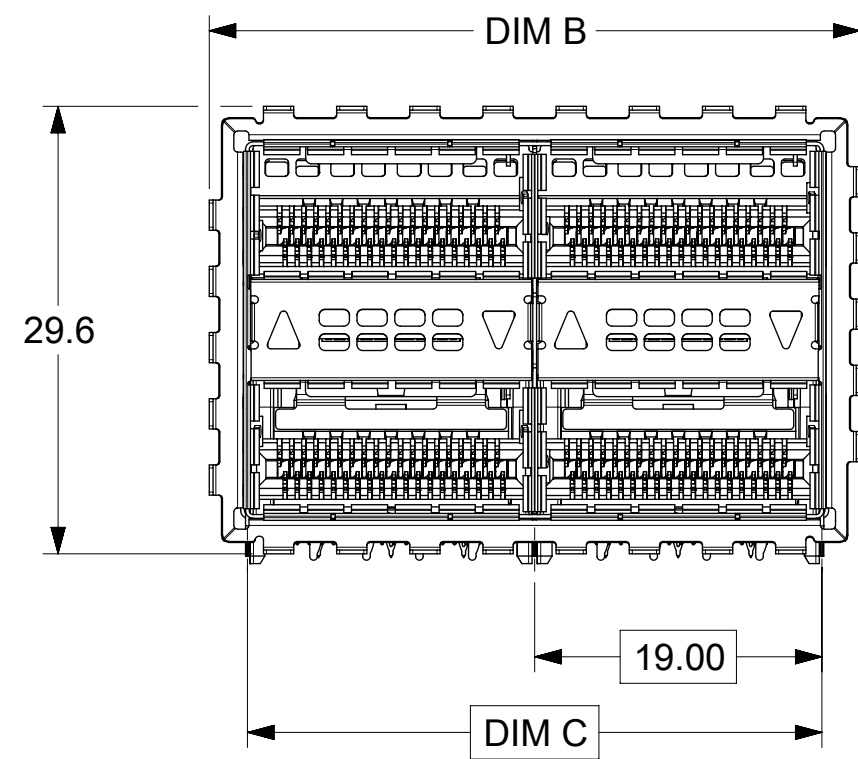
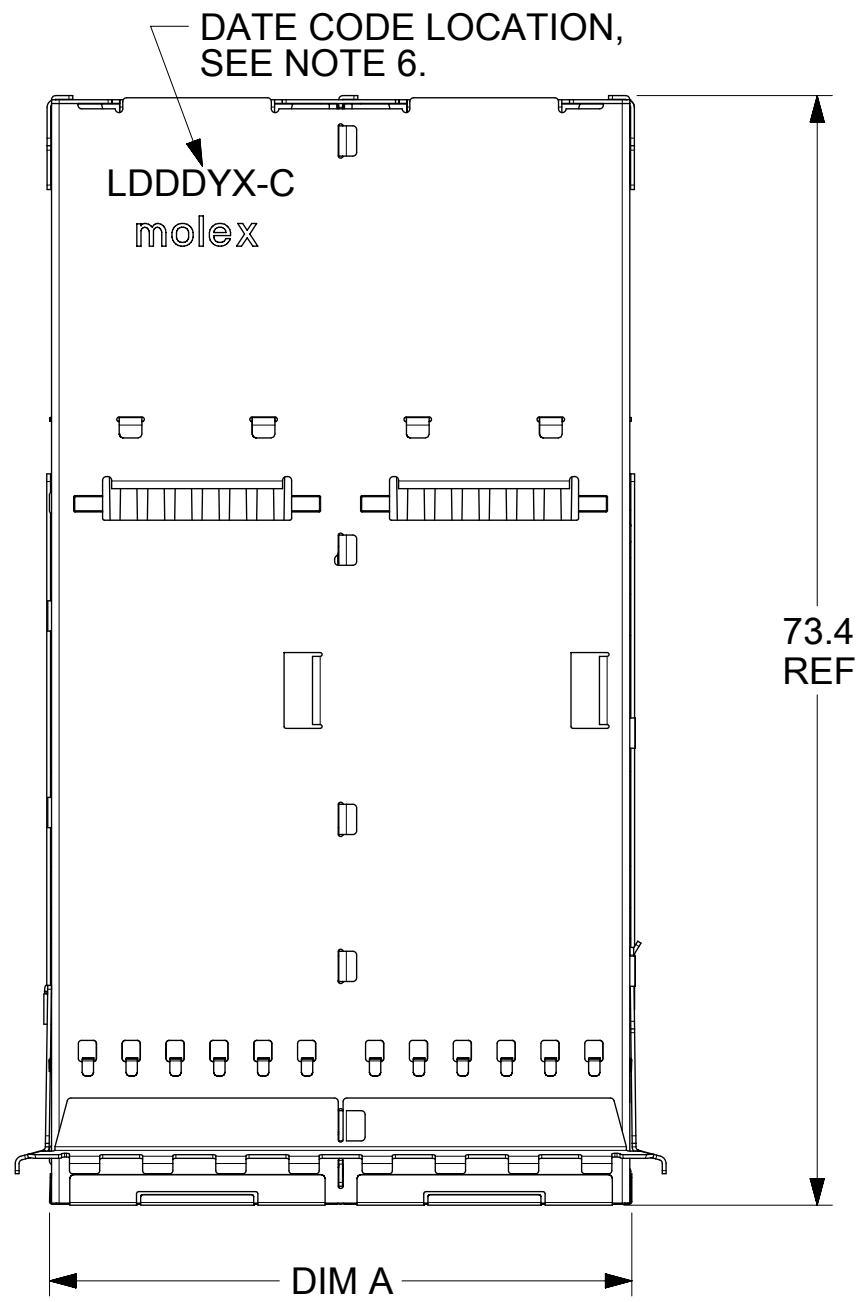
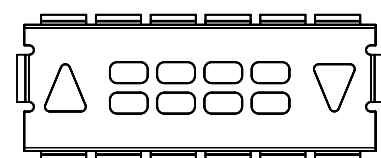


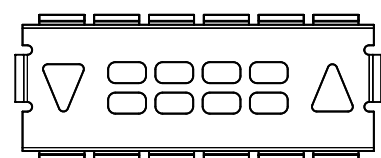
1715657202 SHOWN



P/N 171565-**01
AIRFLOW ONLY
NO LIGHTPIPE



P/N 171565-**02
UP / DOWN LIGHTPIPE
INDICATOR



P/N 171565-**03
DOWN / UP LIGHTPIPE
INDICATOR

PORT SIZE	PART NUMBER	DIM 'A'	DIM 'B'	DIM 'C'
2X1	171565-710*	19.5	24.1	19.00
2X2	171565-720*	38.5	43.1	38.00
2X3	171565-730*	57.5	62.1	57.00

* - DESIGNATES FRONT PLATE OPTIONS

NOTES:

1. MATERIAL:

CAGE: NICKEL SILVER, 0.25 THICK
EMI STRAPS: COPPER ALLOY, 0.08 THICK
GASKET: SILICONE
LIGHT PIPES (OPTIONAL): POLYCARBONATE
(PER TELCORDIA-GR-63-CORE-ISSUE3, SECTION 4.2.3.1; R4-43,
DISCRETE STRUCTURAL COMPONENTS CONSTITUTING A FUEL
LOAD OF 1 GRAM OR LESS ARE EXEMPT FROM THE REQUIREMENTS
OF R4-43 (91); UL 94V-0 RATING)
CONNECTOR HOUSING: HIGH PERFORMANCE THERMOPLASTIC, 94V-0
TERMINALS: HIGH PERFORMANCE COPPER ALLOY, 0.18 THICK

2. FINISH:

SPRING FINGERS: 0.5µm NICKEL OVERALL
GASKET: SILVER
TERMINALS: CONTACT AREA: 0.76µm MIN GOLD OVER 2.5µm MIN NICKEL.
COMPLIANT AREA: 0.76-1.52µm MATTE TIN OVER 1.27µm MIN NICKEL.

3. ALL SURFACES TO BE CLASS 'C' OR BETTER PER MOLEX COSMETIC SPECIFICATION PS-45499-002.

4. REFER TO PK-171565-0001 FOR PACKAGING SPECIFICATIONS.

5. CONNECTOR INTENDED TO MATE WITH PLUG CABLE SERIES 74757 AND 74758.

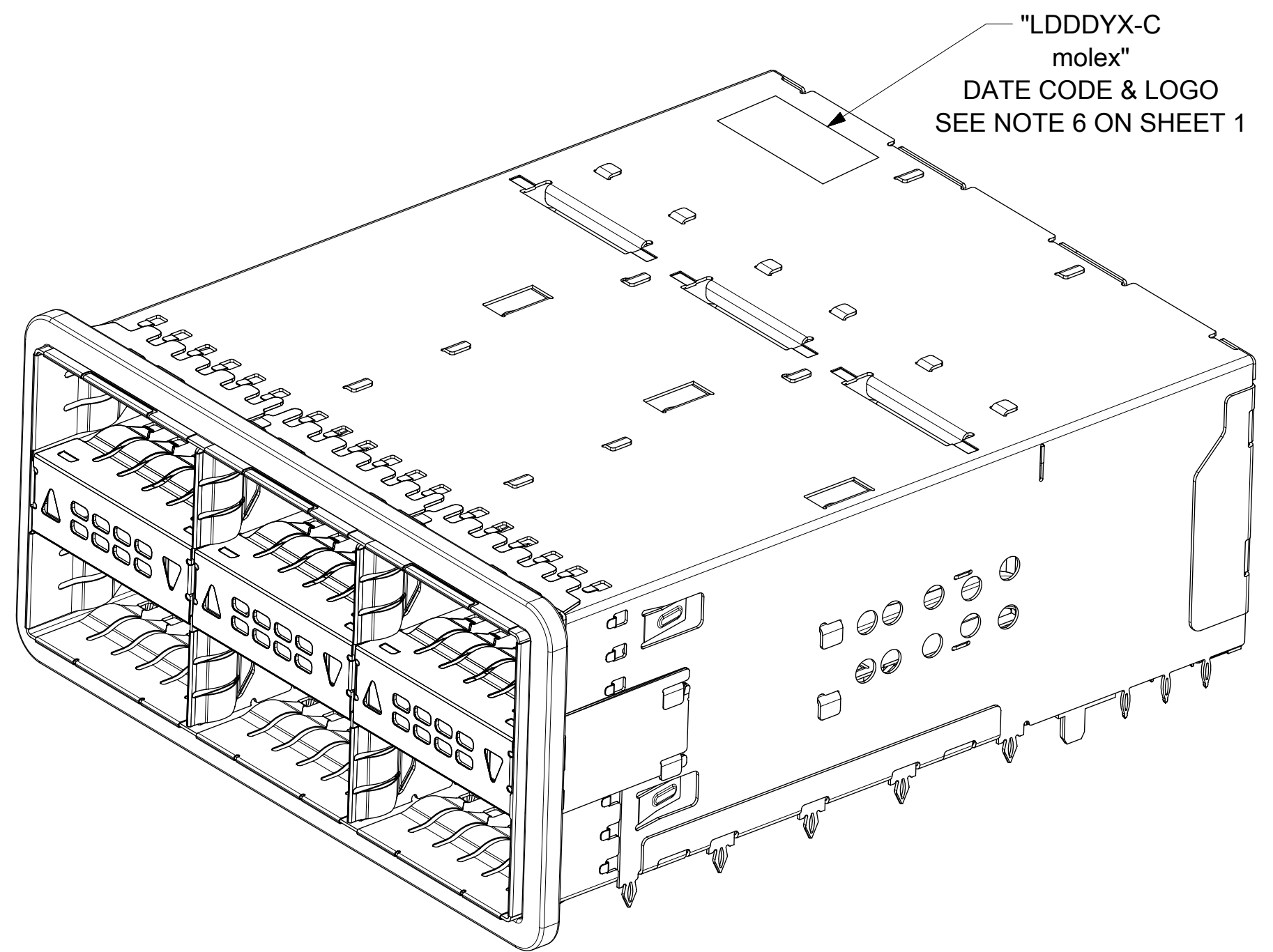
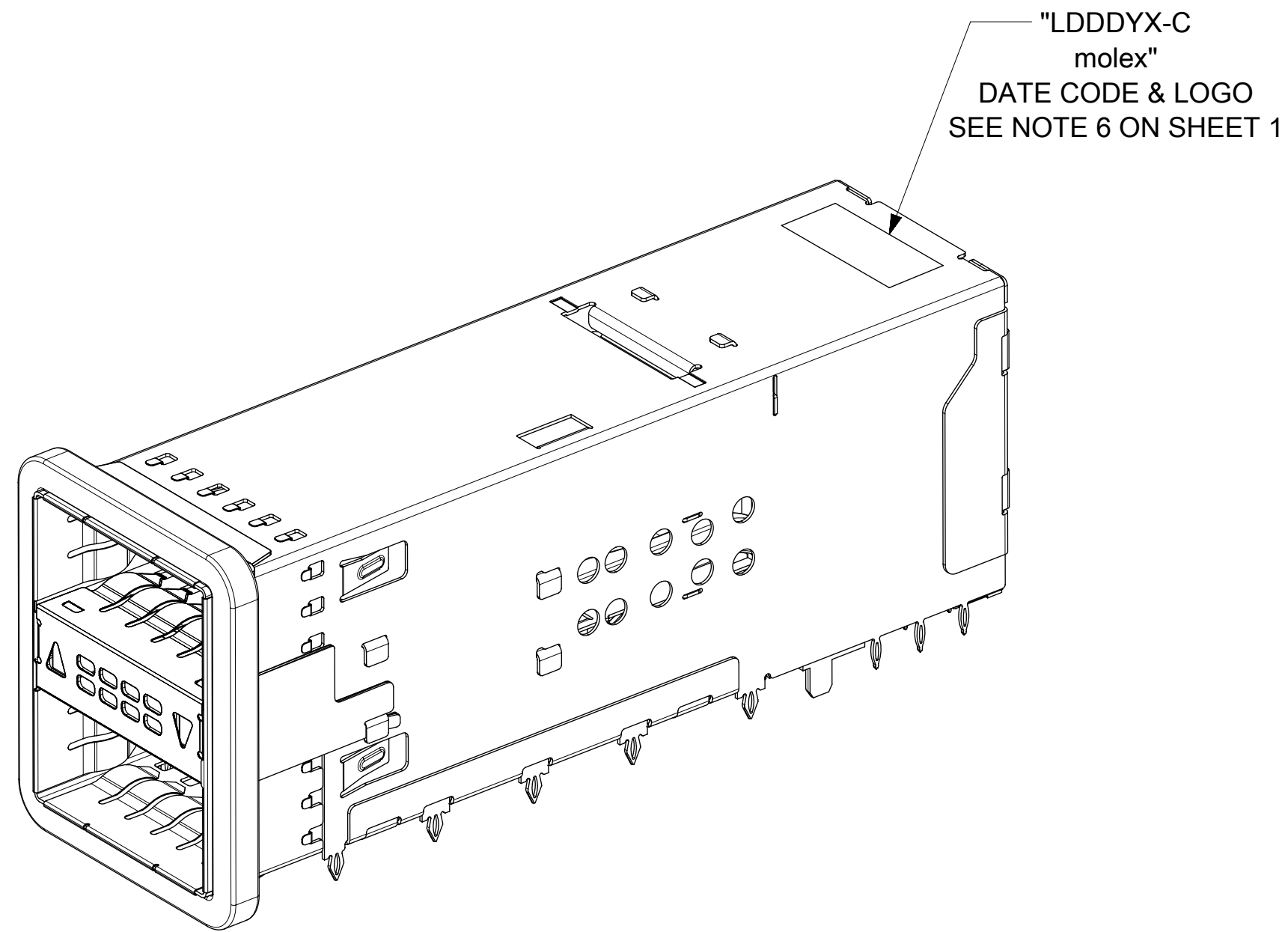
6. DATE CODE LOCATION SHOWN, DATE CODE FORMAT: LDDDYX-C


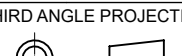
L: MOLEX INTERNAL CONTROL
DDD: DAY OF THE YEAR
Y: LAST DIGIT OF YEAR
X: MOLEX INTERNAL CONTROL
C: SUB-MODULE PER CUSTOMER'S REQUEST

FUNCTIONAL SYMBOLS	THIS DRAWING CONTAINS INFORMATION THAT IS PROPRIETARY TO MOLEX ELECTRONIC TECHNOLOGIES, LLC AND SHOULD NOT BE USED WITHOUT WRITTEN PERMISSION												
	DIMENSION UNITS		SCALE		CURRENT REV DESC: SEE REVISION HISTORY								
	mm		2:1		EC NO: 728470 DRWN: SYANG16 2022/11/14 CHK'D: BARWANKAR 2022/11/15 APPR: BARWANKAR 2022/11/15								
	GENERAL TOLERANCES (UNLESS SPECIFIED)												
DIVISIONAL SYMBOLS	4 PLACES ±		mm		INCH		INITIAL REVISION: DRWN: JKACHLIC 2012/08/23 APPR: MBANAKIS 2012/08/30						
	3 PLACES ±												
	2 PLACES ±		0.13		±								
	1 PLACE ±		0.25		±								
	0 PLACES ±												
ANGULAR TOL ±		0.5 °				DOCUMENT NUMBER: 1715657000 DOC TYPE: PSD DOC PART: ASY REVISION: A							
DRAFT WHERE APPLICABLE MUST REMAIN WITHIN DIMENSIONS		THIRD ANGLE PROJECTION		DRAWING		SERIES		MATERIAL NUMBER		CUSTOMER		SHEET NUMBER	
		C-SIZE		171565		SEE P/N TABLE		CISCO		1 OF 5			

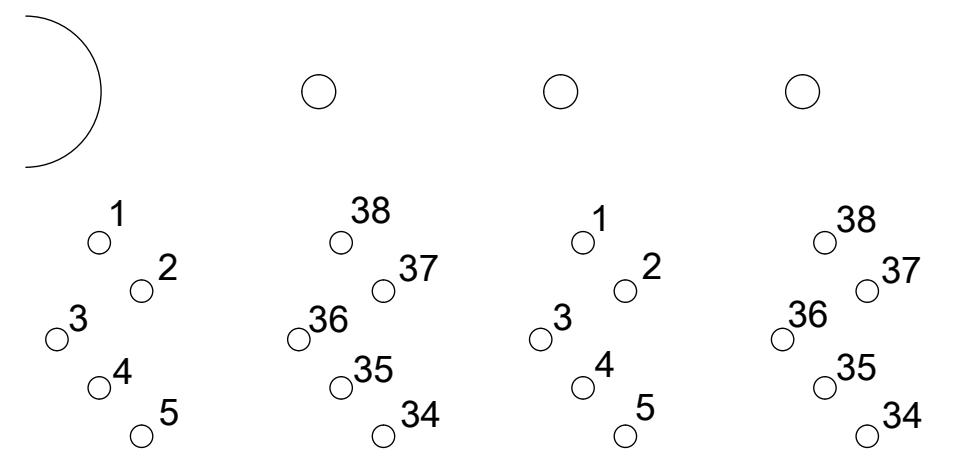
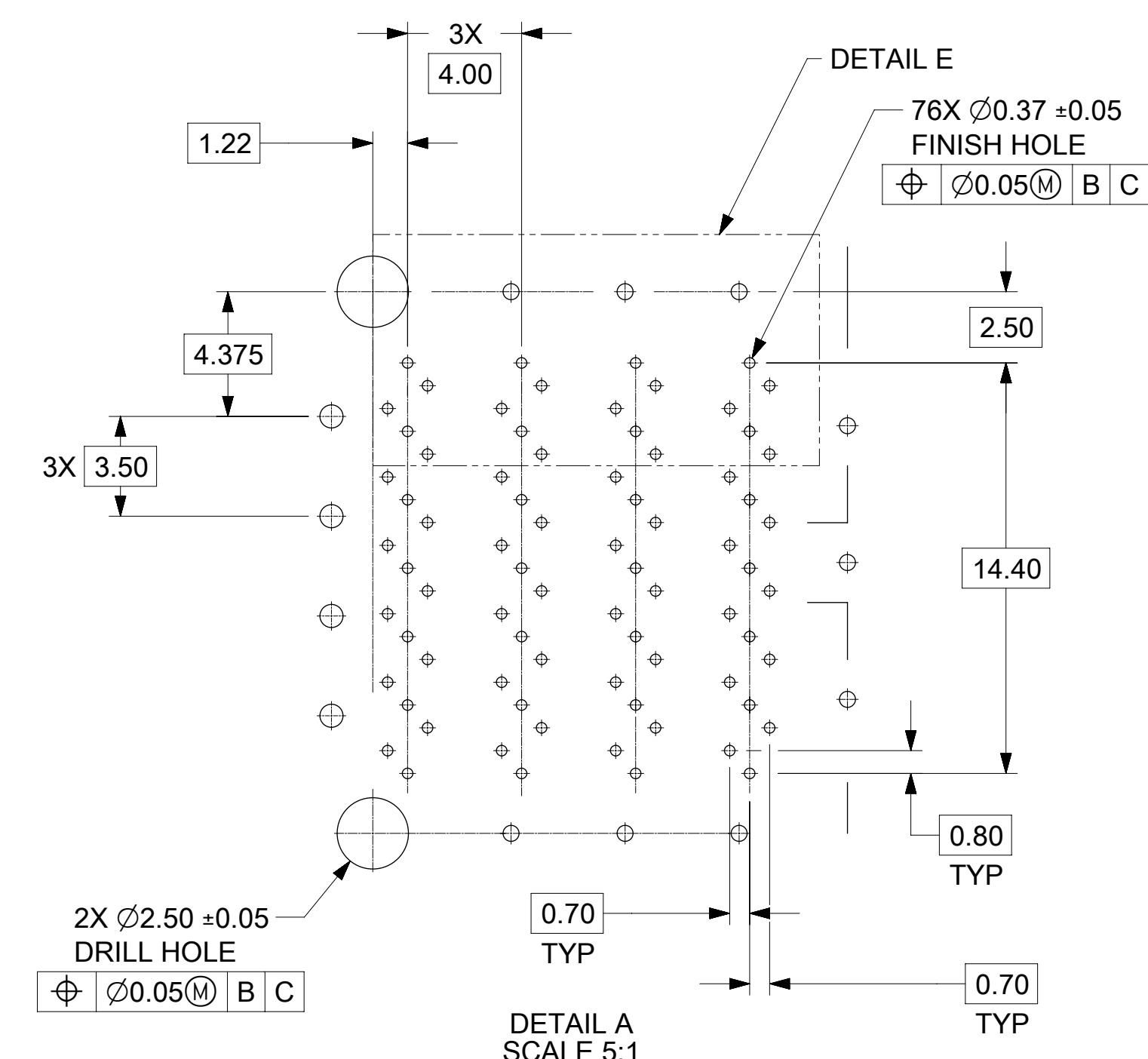
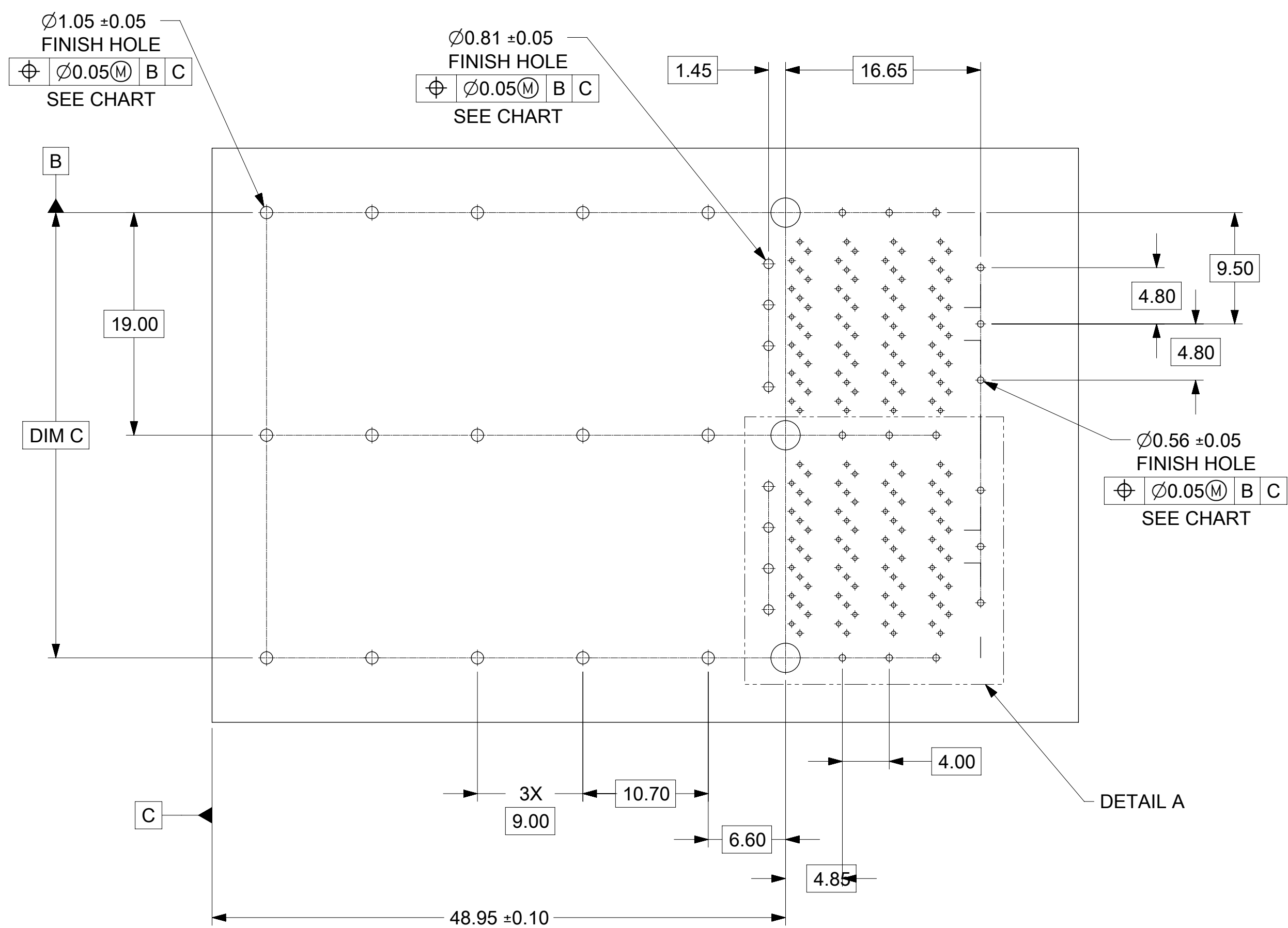
1715657102 SHOWN

1715657302 SHOWN



FUNCTIONAL SYMBOLS	THIS DRAWING CONTAINS INFORMATION THAT IS PROPRIETARY TO MOLEX ELECTRONIC TECHNOLOGIES, LLC AND SHOULD NOT BE USED WITHOUT WRITTEN PERMISSION													
	DIMENSION UNITS		SCALE		CURRENT REV DESC: SEE REVISION HISTORY									
$\frac{F}{A} = 0$	mm		2.5:1		EC NO: 728470 DRWN: SYANG16 CHK'D: BARWANKAR APPR: BARWANKAR								ZQSFP+ STACKED ASSY W/ELASTOMERIC GASKET	
$\frac{F}{C} = 0$	GENERAL TOLERANCES (UNLESS SPECIFIED)										2022/11/14			
DIVISIONAL SYMBOLS	4 PLACES		±	±	INITIAL REVISION: DRWN: DRAWN BY APPR: APPR BY						PRODUCT CUSTOMER DRAWING			
	3 PLACES		±	±										
	2 PLACES		± 0.13	±										
	1 PLACE		± 0.25	±										
	0 PLACES		±	±	0099/99/99		0099/99/99		DOCUMENT NUMBER		DOC TYPE	DOC PART	REVISION	
	ANGULAR TOL		± 0.5 °		THIRD ANGLE PROJECTION		DRAWING		SERIES		MATERIAL NUMBER	CUSTOMER		SHEET NUMBER
DRAFT WHERE APPLICABLE MUST REMAIN WITHIN DIMENSIONS						C-SIZE		171565		SEE P/N TABLE		CISCO		2 OF 5

DOCUMENT STATUS	P1	RELEASE DATE	2022/11/15	09:38:04
-----------------	----	--------------	------------	----------



LOWER PORT
UPPER PORT
DETAIL E
SCALE 8:1
PIN ASSIGNMENTS

PORT SIZE	DIM C	Ø1.05 PTH QUANTITY	Ø0.56 PTH QUANTITY	Ø0.81 PTH QUANTITY
2X1	19.00	10	9	4
2X2	38.00	15	15	8
2X3	57.00	20	21	12

FUNCTIONAL SYMBOLS FA = 0 FC = 0 FP = 0	THIS DRAWING CONTAINS INFORMATION THAT IS PROPRIETARY TO MOLEX ELECTRONIC TECHNOLOGIES, LLC AND SHOULD NOT BE USED WITHOUT WRITTEN PERMISSION									
	DIMENSION UNITS		SCALE		CURRENT REV DESC: SEE REVISION HISTORY					
	mm		3:1		<p>EC NO: 728470 DRWN: SYANG16 CHK'D: BARWANKAR APPR: BARWANKAR</p> <p>INITIAL REVISION: DRWN: JKACHLIC APPR: MBANAKIS</p>					
	GENERAL TOLERANCES (UNLESS SPECIFIED)									
DIVISIONAL SYMBOLS		MM	INCH	2022/11/14		2022/11/15		2022/11/15		
4 PLACES ±		±	±	2012/08/23		2012/08/30		2012/08/30		
3 PLACES ±		±	±	2012/08/23		2012/08/30		2012/08/30		
2 PLACES ±		± 0.13	±	2012/08/23		2012/08/30		2012/08/30		
1 PLACE ±		± 0.25	±	2012/08/23		2012/08/30		2012/08/30		
0 PLACES ±		±	±	2012/08/23		2012/08/30		2012/08/30		
ANGULAR TOL ±		± 0.5 °		2012/08/23		2012/08/30		2012/08/30		
DRAFT WHERE APPLICABLE MUST REMAIN WITHIN DIMENSIONS		THIRD ANGLE PROJECTION		DRAWING		SERIES		MATERIAL NUMBER		
				C-SIZE		171565		SEE P/N TABLE		
				CUSTOMER		CISCO		SHEET NUMBER		
								3 OF 5		

molex

ZQSFP+ STACKED ASSY
W/ELASTOMERIC GASKET

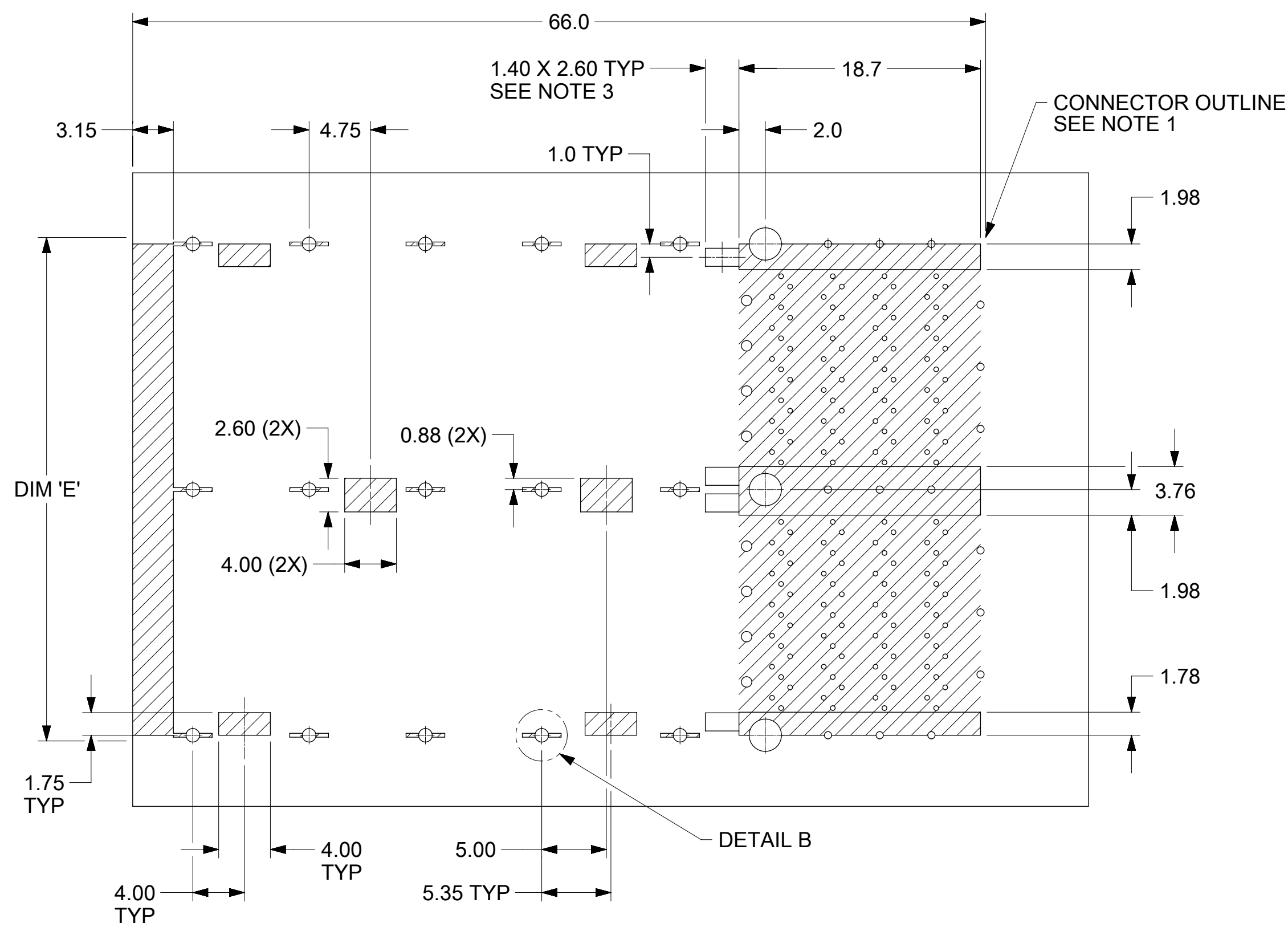
PRODUCT CUSTOMER DRAWING

DOCUMENT NUMBER
1715657000

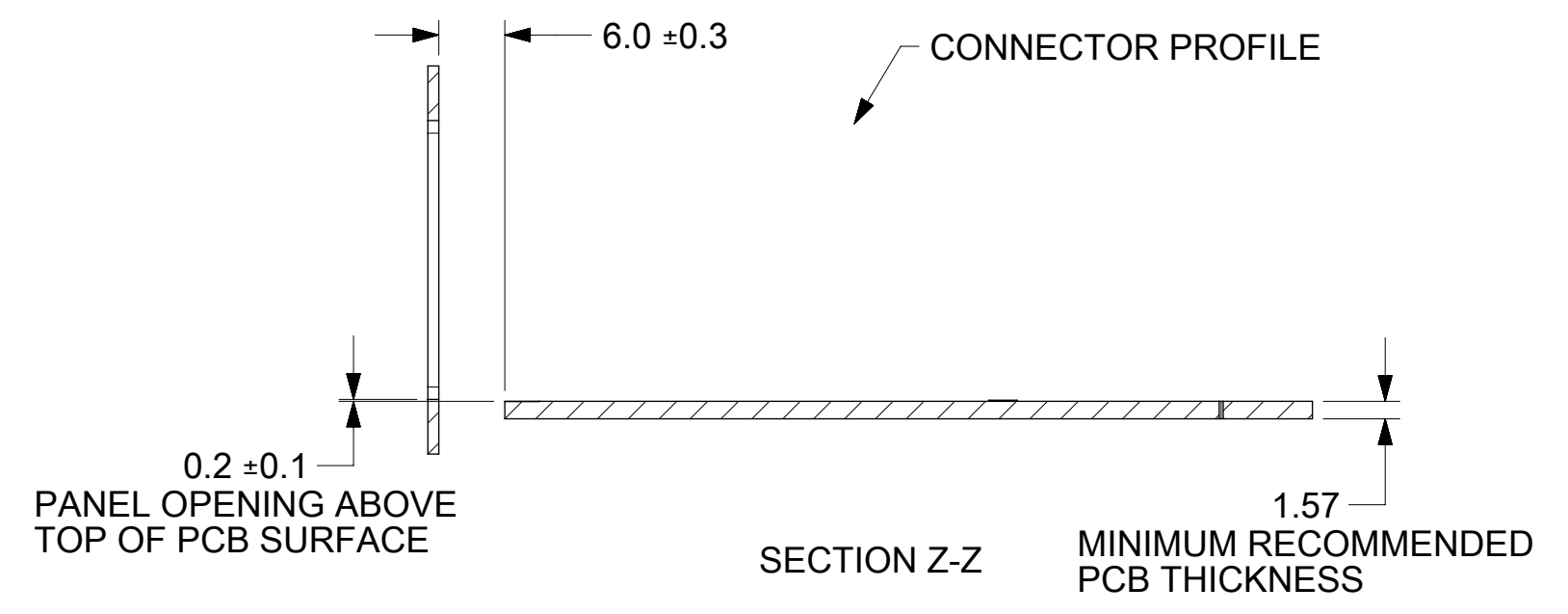
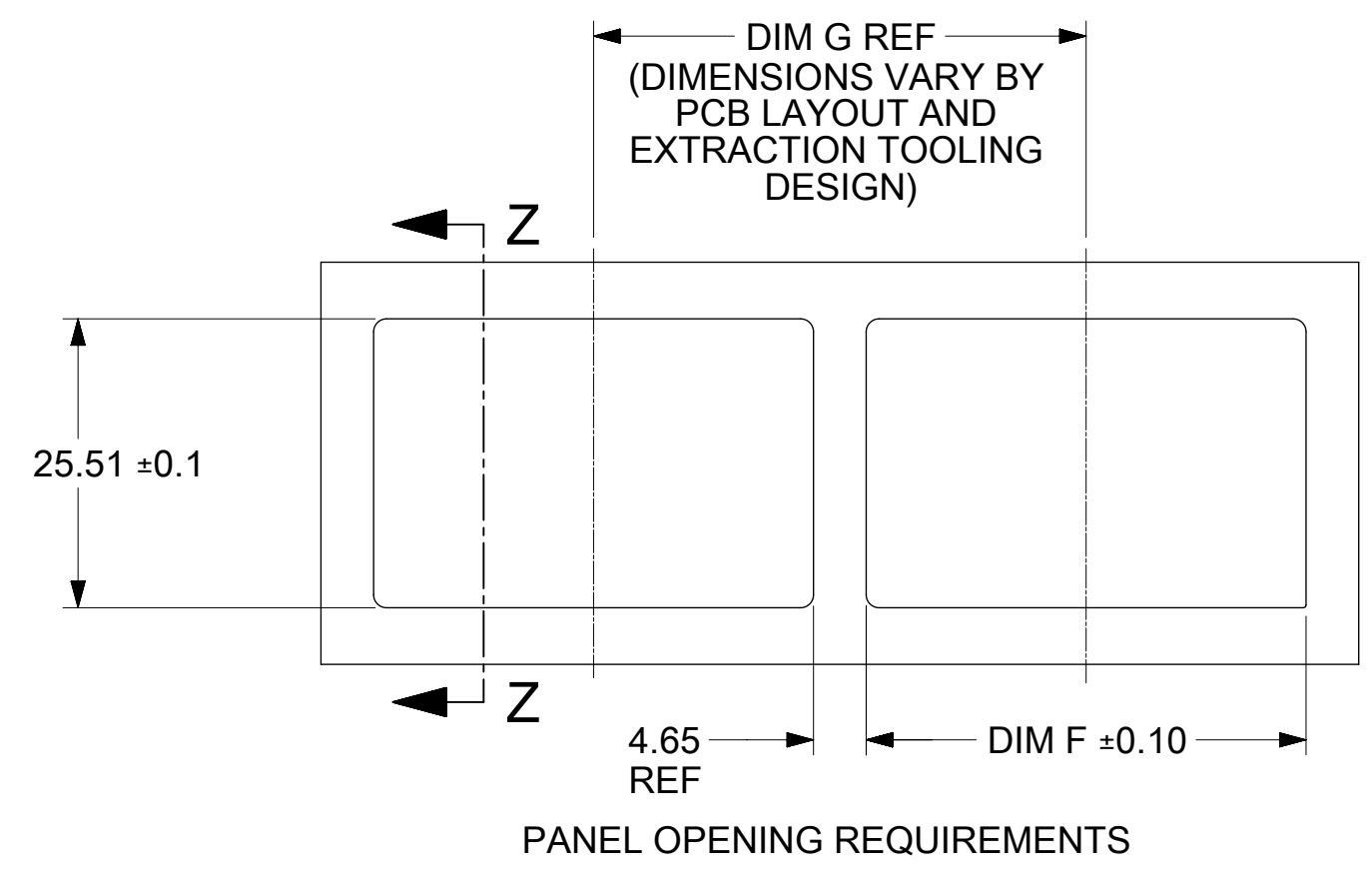
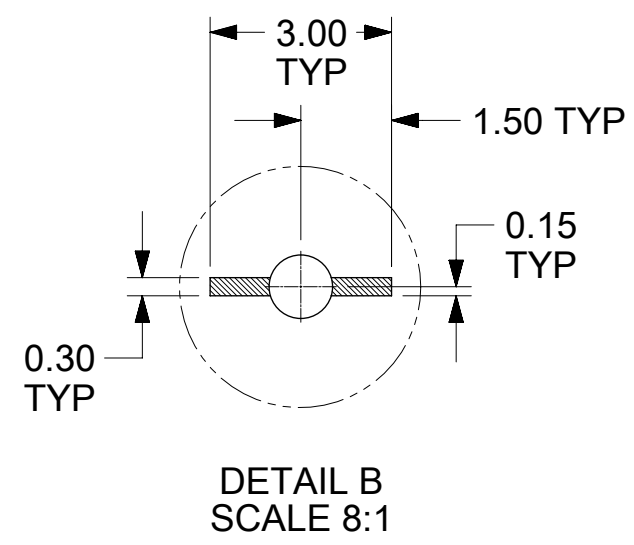
DOC TYPE
PSD

DOC PART
ASY

REVISION
A



PORT SIZE	DIM 'E'	DIM 'F'	DIM 'G'
2X1	19.5	19.85	24.50
2X2	38.5	38.85	43.50
2X3	57.5	57.85	62.50



- NOTES:
1. THE ENTIRE AREA UNDER THE CONNECTOR IS A KEEP OUT ZONE FOR COMPONENTS AND TRACES, TOP LAYER ONLY, EXCEPT FOR CHASSIS GROUND.
 2. CROSS-HATCHED AREAS INDICATE PLACES WHERE THE PLASTIC HOUSING AND METAL CAGE MAY CONTACT PCB SURFACE. THESE AREAS ARE KEEP OUT ZONES. CROSS-HATCHED AREA UNDER THE CONNECTOR ARE TRACE AND VIA KEEP OUT AREAS FOR THE TOP LAYER.
 3. THESE RECTANGULAR ZONES ARE FOR LED PLACEMENT. LED HEIGHT SHOULD NOT EXCEED 0.8 AND PLACEMENT SHOULD BE CENTERED WITHIN THIS LED KEEP-IN ZONE.
 4. RECOMMENDED LED CHIP PACKAGE SIZE IS 0805.

FUNCTIONAL SYMBOLS FA = 0 FC = 0 FD = 0	THIS DRAWING CONTAINS INFORMATION THAT IS PROPRIETARY TO MOLEX ELECTRONIC TECHNOLOGIES, LLC AND SHOULD NOT BE USED WITHOUT WRITTEN PERMISSION														
	DIMENSION UNITS		SCALE		CURRENT REV DESC: SEE REVISION HISTORY										
	mm		1:1												
	GENERAL TOLERANCES (UNLESS SPECIFIED)										ZQSFP+ STACKED ASSY W/ELASTOMERIC GASKET				
		MM	INCH	EC NO: 728470											
4 PLACES		±	±	DRWN: SYANG16 2022/11/14											
3 PLACES		±	±	CHK'D: BARWANKAR 2022/11/15											
2 PLACES		±	0.13	±	APPR: BARWANKAR 2022/11/15										
1 PLACE		±	0.25	±	INITIAL REVISION:										
0 PLACES		±	±	±	DRWN: JKACHLIC 2012/08/23										
ANGULAR TOL		±	0.5	°	APPR: MBANAKIS 2012/08/30										
DRAFT WHERE APPLICABLE MUST REMAIN WITHIN DIMENSIONS				THIRD ANGLE PROJECTION		DRAWING		SERIES		MATERIAL NUMBER		CUSTOMER		SHEET NUMBER	
						C-SIZE		171565		SEE P/N TABLE		CISCO		4 OF 5	

H
G
F
E
D
C
B
A

REVISION HISTORY		
DATE	REV.	DESCRIPTION
2022/11/14	A	REMASTER RSD-171565-7000_REV2 FROM OLD SOFTWARE TO NEW SOFTWARE. SHEET 1: CHANGED DATE CODE FORMAT TO LDDDYX-C CORRECTED TYPO FOR FINISH INFORMATION OF SPRING FINGER UPDATE NOTE4 FOR PK SPEC ADDED NEW SHEET 2 SHEET 2: SHOWN 2X1 AND 2X3 OPTION SHEET 4: UPDATED KEEP OUT ZONE AND VERBIAGE IN NOTE1&2 UPDATED PANEL OPENING INFORMATION SHEET 5: ADDED REVISION HISTORY.

FUNCTIONAL SYMBOLS = 0 = 0 = 0 DIVISIONAL SYMBOLS 3 PLACES ± 2 PLACES ± 0.13 1 PLACE ± 0.25 0 PLACES ±	THIS DRAWING CONTAINS INFORMATION THAT IS PROPRIETARY TO MOLEX ELECTRONIC TECHNOLOGIES, LLC AND SHOULD NOT BE USED WITHOUT WRITTEN PERMISSION		DIMENSION UNITS mm		SCALE 1:1	CURRENT REV DESC: SEE REVISION HISTORY				
	GENERAL TOLERANCES (UNLESS SPECIFIED) ANGULAR TOL ± 0.5°		4 PLACES ±		EC NO: 728470 DRWN: SYANG16 2022/11/14 CHK'D: BARWANKAR 2022/11/15 APPR: BARWANKAR 2022/11/15					
	DRAFT WHERE APPLICABLE MUST REMAIN WITHIN DIMENSIONS		THIRD ANGLE PROJECTION 		DRAWING C-SIZE					
	PRODUCT CUSTOMER DRAWING		INITIAL REVISION: DRWN: SYANG16 2022/11/14 APPR: BARWANKAR 2022/11/15		DOCUMENT NUMBER 1715657000		DOC TYPE PSD	DOC PART ASY	REVISION A	

molex

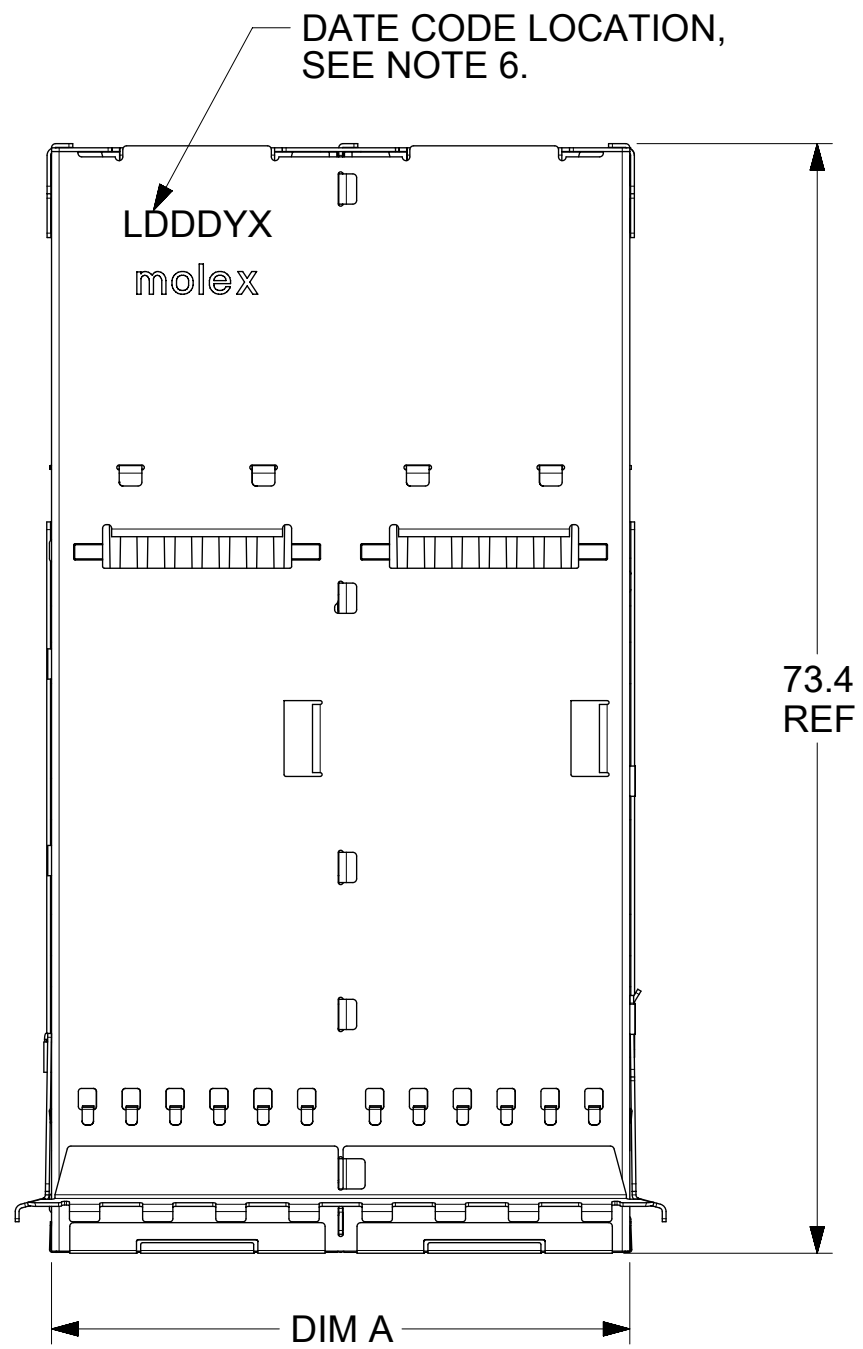
ZQSFP+ STACKED ASSY
W/ELASTOMERIC GASKET

PRODUCT CUSTOMER DRAWING

1715657000

PSD ASY A

SEE P/N TABLE CISCO 5 OF 5



PORT SIZE	PART NUMBER	DIM 'A'	DIM 'B'	DIM 'C'
2X1	171565-100*	19.5	24.1	19.00
2X2	171565-000*	38.5	43.1	38.00
2X3	171565-300*	57.5	62.1	57.00

* - DESIGNATES FRONT PLATE OPTIONS

NOTES:

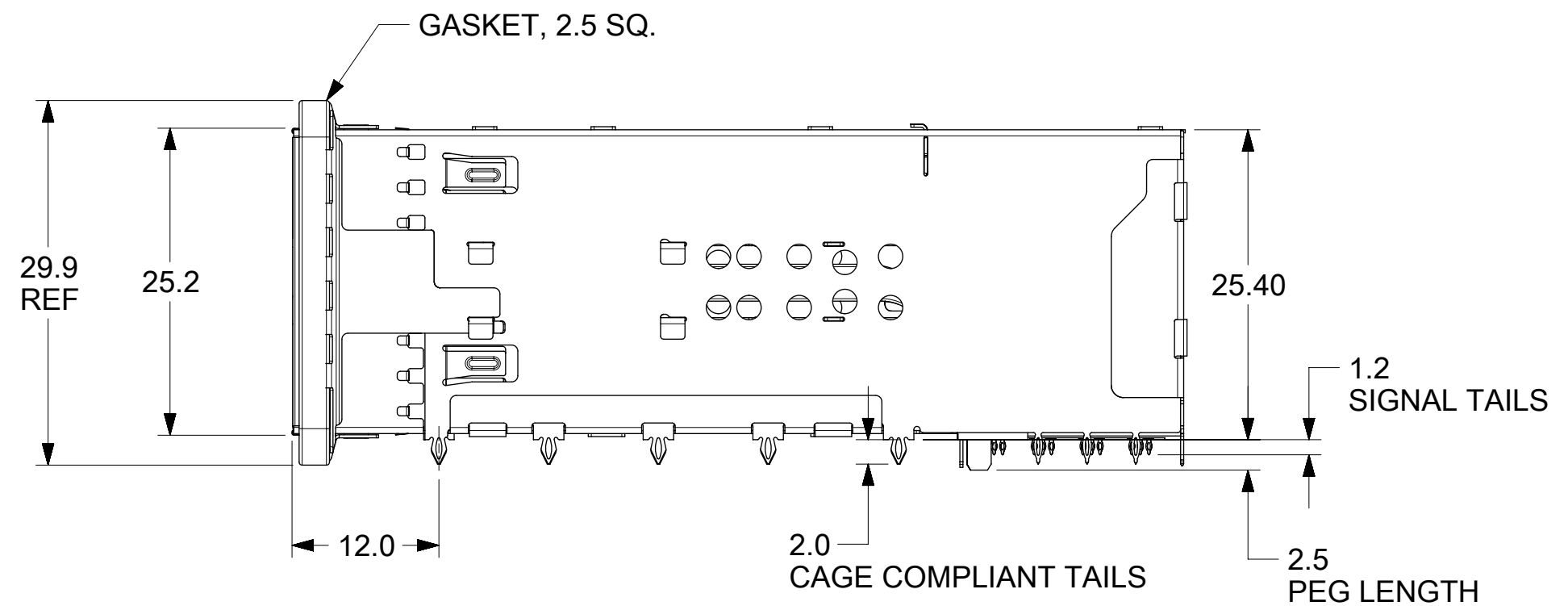
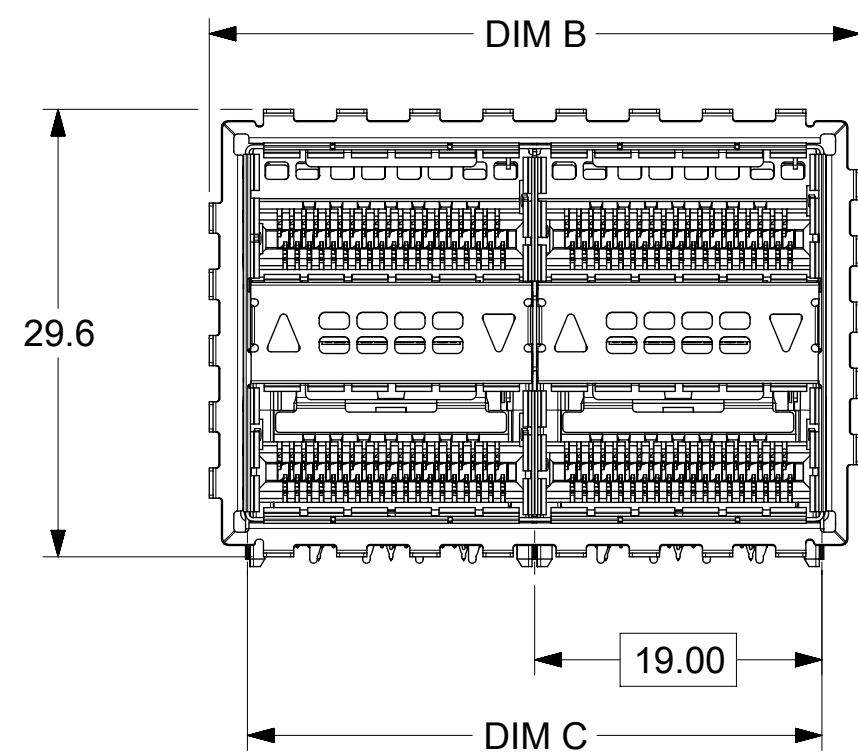
1. MATERIAL:

CAGE: NICKEL SILVER, 0.25 THICK
 EMI STRAPS: PHOS-BRONZE, 0.10 THICK
 GASKET: SILICONE
 LIGHT PIPES (OPTIONAL): POLYCARBONATE
 (PER TELCORDIA-GR-63-CORE-ISSUE3, SECTION 4.2.3.1; R4-43,
 DISCRETE STRUCTURAL COMPONENTS CONSTITUTING A FUEL
 LOAD OF 1 GRAM OR LESS ARE EXEMPT FROM THE REQUIREMENTS
 OF R4-43 (91); UL 94V-0 RATING)
 CONNECTOR HOUSING: HIGH PERFORMANCE THERMOPLASTIC, 94V-0
 TERMINALS: HIGH PERFORMANCE COPPER ALLOY, 0.18 THICK

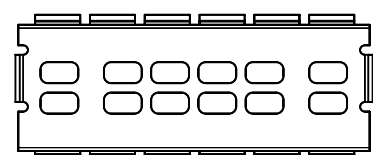
2. FINISH:

SPRING FINGERS: 0.5µm NICKEL OVERALL
 GASKET: SILVER
 TERMINALS: CONTACT AREA: 0.76µm MIN GOLD OVER 2.5µm MIN NICKEL.
 COMPLIANT AREA: 0.76-1.52µm MATTE TIN OVER 1.27µm MIN NICKEL.

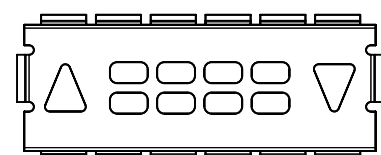
3. ALL SURFACES TO BE CLASS 'C' OR BETTER PER MOLEX COSMETIC SPECIFICATION PS-45499-002.
 4. REFER TO PK-171565-0001 FOR PACKAGING SPECIFICATIONS.
 5. CONNECTOR INTENDED TO MATE WITH PLUG CABLE SERIES 74757 AND 74758.
 6. DATE CODE LOCATION SHOWN, DATE CODE FORMAT: LDDDYX
 L: MOLEX INTERNAL CONTROL
 DDD: DAY OF THE YEAR
 Y: LAST DIGIT OF YEAR
 X: MOLEX INTERNAL CONTROL



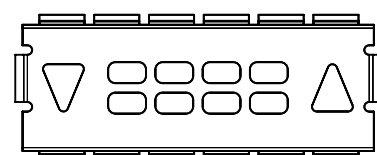
171565-0002 SHOWN FOR REFERENCE
 APPEARANCE MAY VARY BY SIZE



P/N 171565-*001
 AIRFLOW ONLY
 NO LIGHTPIPE

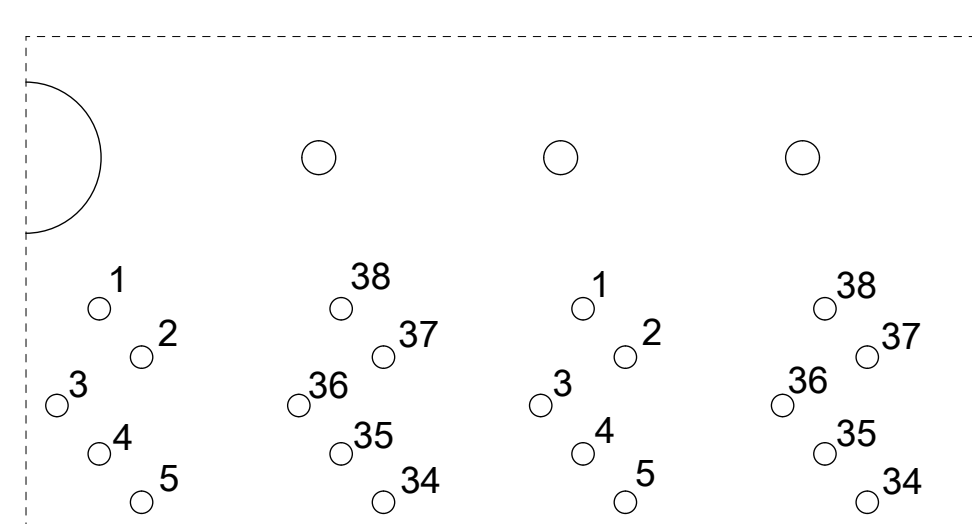
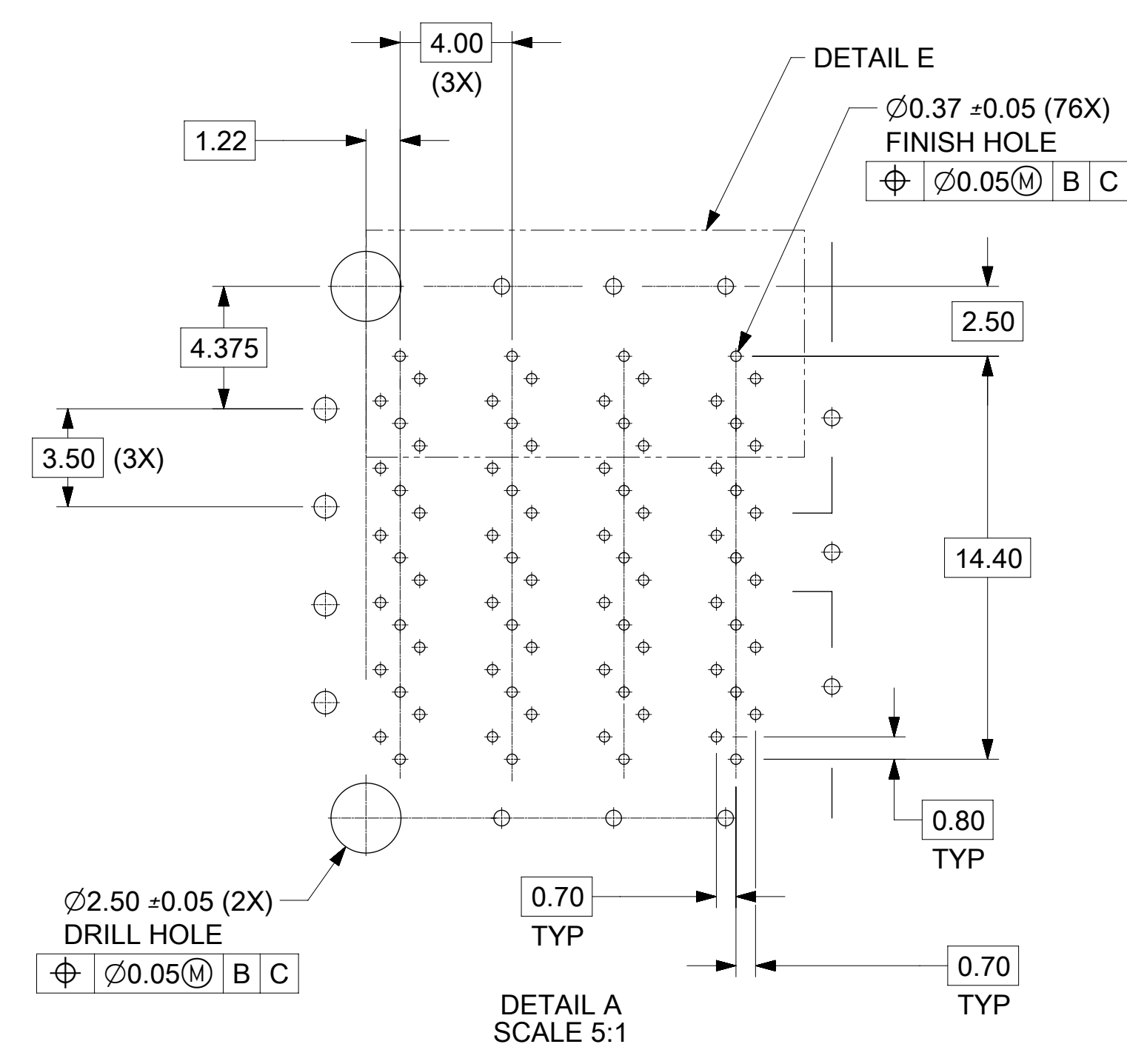
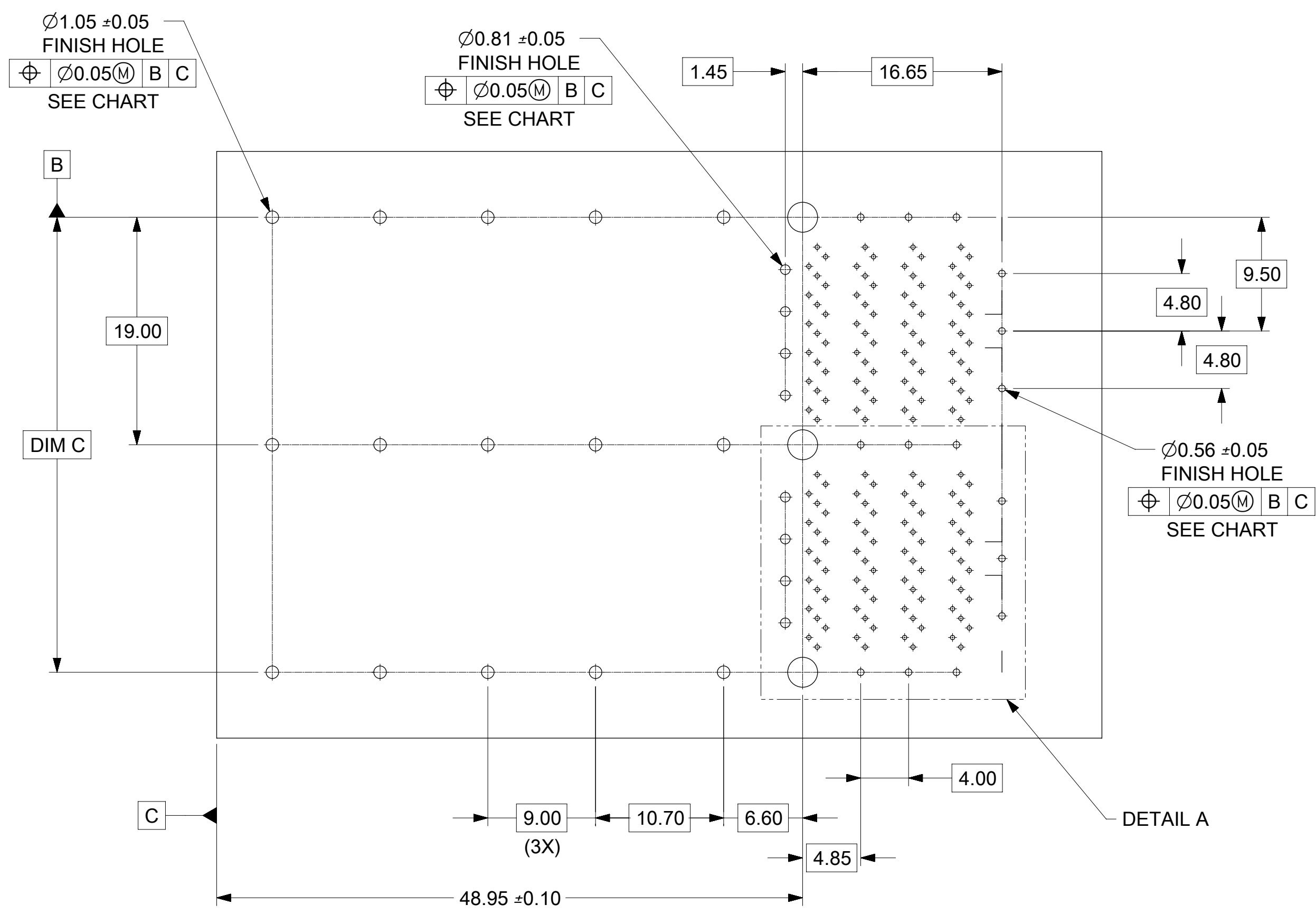


P/N 171565-*002
 UP / DOWN LIGHTPIPE
 INDICATOR



P/N 171565-*003
 DOWN / UP LIGHTPIPE
 INDICATOR

THIS DRAWING CONTAINS INFORMATION THAT IS PROPRIETARY TO MOLEX ELECTRONIC TECHNOLOGIES, LLC AND SHOULD NOT BE USED WITHOUT WRITTEN PERMISSION									
DIMENSION UNITS		SCALE		CURRENT REV DESC: SEE REVISION HISTORY					
mm		2:1							
GENERAL TOLERANCES (UNLESS SPECIFIED)				EC NO: 617910					
		MM	INCH	DRWN: CWANG67		2019/05/21			
4 PLACES		±	±	CHK'D: CWANG67		2019/05/24			
3 PLACES		±	±	APPR: RNELSON		2019/05/28			
2 PLACES		± 0.13	±	INITIAL REVISION:					
1 PLACE		± 0.25	±	DRWN: JKACHLIC		2012/08/23			
0 PLACES		±	±	APPR: MBANAKIS		2012/08/30			
ANGULAR TOL		± 0.5 °		THIRD ANGLE PROJECTION		DRAWING		SERIES	
DRAFT WHERE APPLICABLE MUST REMAIN WITHIN DIMENSIONS				C-SIZE		171565			
DOCUMENT STATUS				P1		RELEASE DATE		2019/05/28 04:38:04	
DOCUMENT NUMBER				DOC TYPE		DOC PART		REVISION	
SD-171565-2000				PSD		001		A2	
MATERIAL NUMBER				CUSTOMER		SHEET NUMBER			
SEE CHART				GENERAL MARKET		1 OF 4			



DETAIL E
SCALE 8:1
PIN ASSIGNMENTS

PORT SIZE	DIM C	Ø1.05 PTH QUANTITY	Ø0.56 PTH QUANTITY	Ø0.81 PTH QUANTITY
2X1	19.00	10	9	4
2X2	38.00	15	15	8
2X3	57.00	20	21	12

THIS DRAWING CONTAINS INFORMATION THAT IS PROPRIETARY TO MOLEX ELECTRONIC TECHNOLOGIES, LLC AND SHOULD NOT BE USED WITHOUT WRITTEN PERMISSION

DIMENSION UNITS mm		SCALE 3:1		CURRENT REV DESC: SEE REVISION HISTORY	
GENERAL TOLERANCES (UNLESS SPECIFIED)				EC NO: 617910	
4 PLACES ±		MM		DRWN: CWANG67 2019/05/21	
3 PLACES ±		INCH		CHK'D: CWANG67 2019/05/24	
2 PLACES ± 0.13		±		APPR: RNELSON 2019/05/28	
1 PLACE ± 0.25		±		INITIAL REVISION:	
0 PLACES ±		±		DRWN: JKACHLIC 2012/08/23	
ANGULAR TOL ± 0.5°		±		APPR: MBANAKIS 2012/08/30	
DRAFT WHERE APPLICABLE MUST REMAIN WITHIN DIMENSIONS		THIRD ANGLE PROJECTION		DRAWING SERIES	
		C-SIZE		171565	

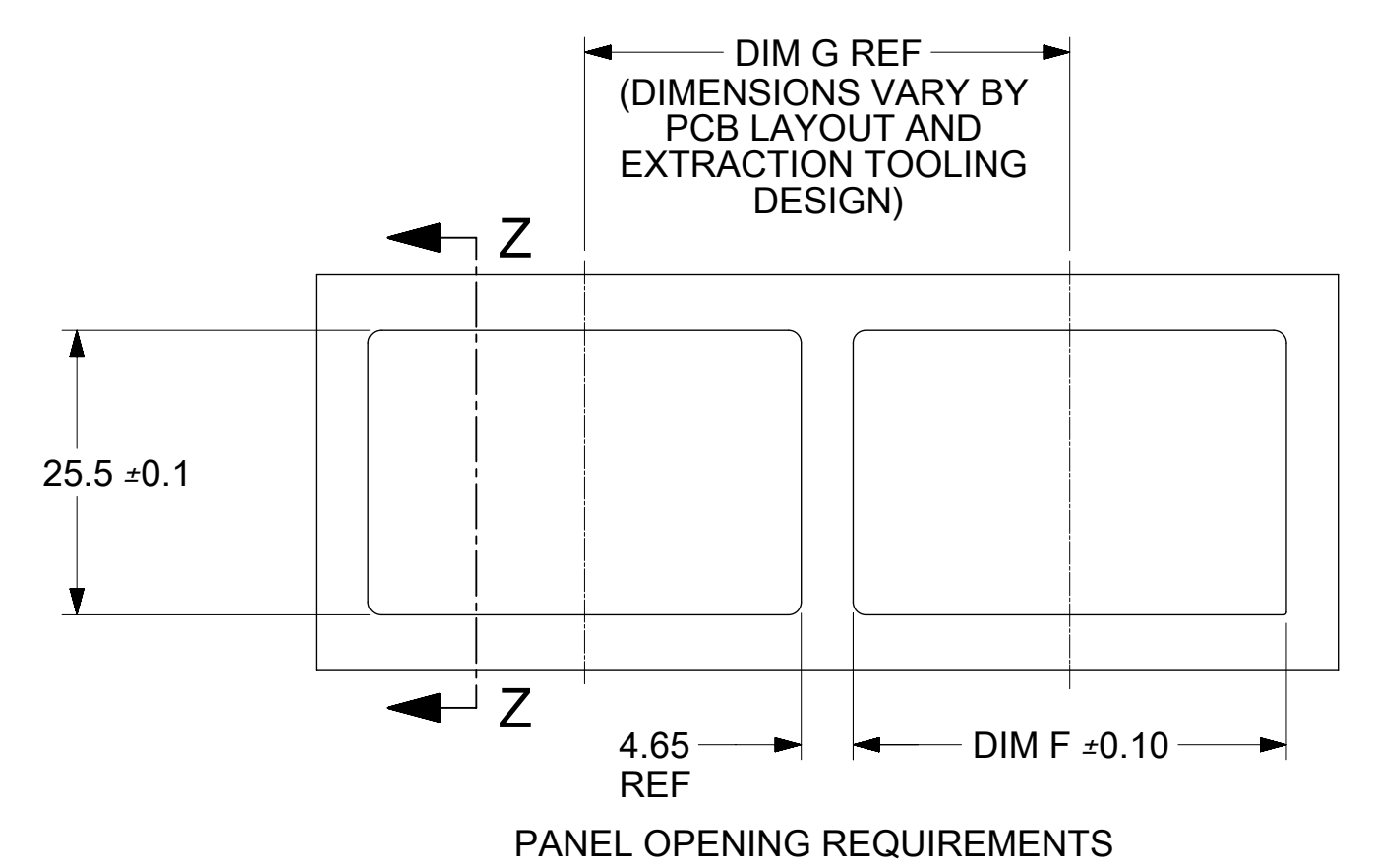
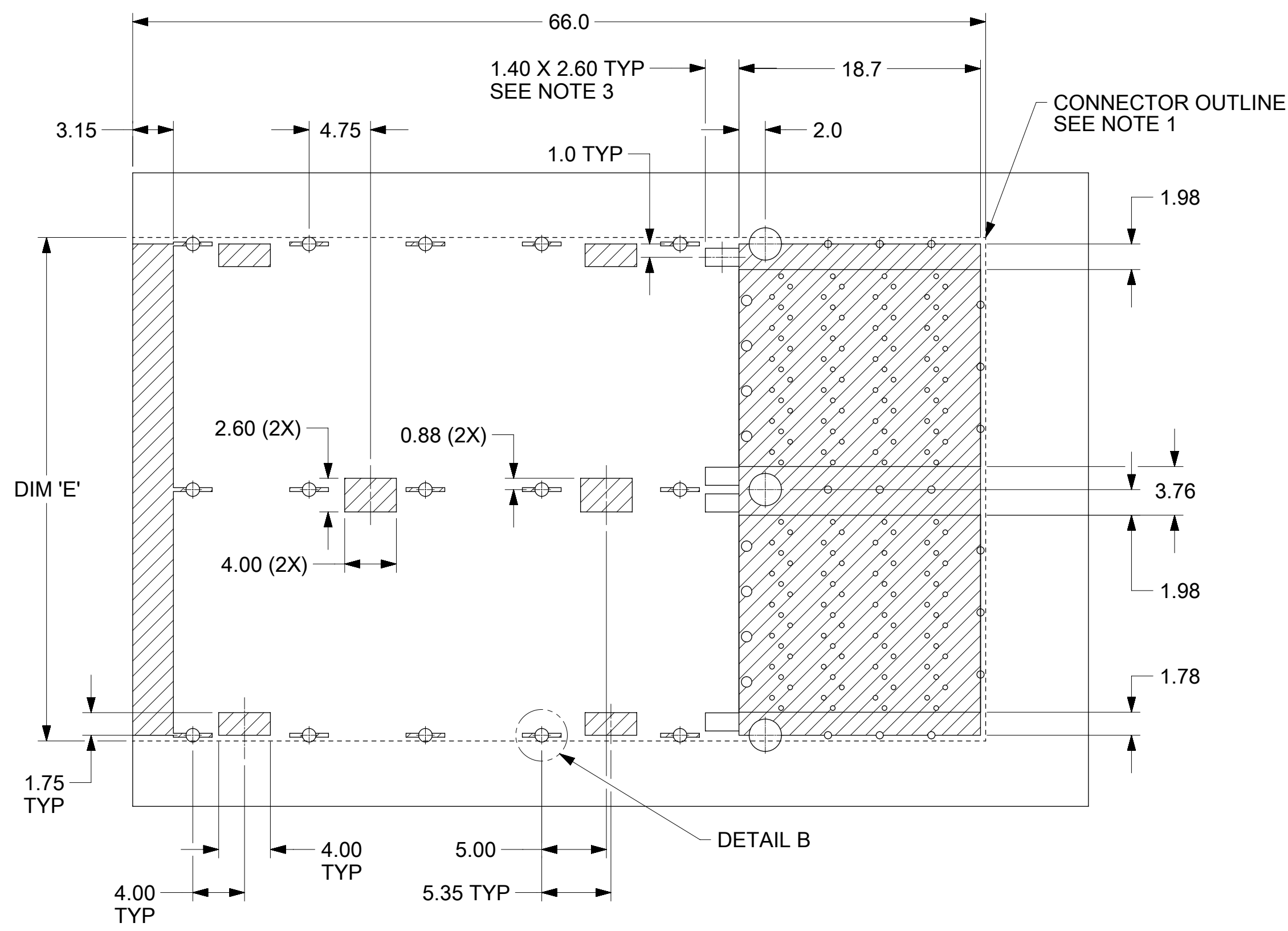
molex

ZQSFP+ STACKED ASSY
W/ELASTOMERIC GASKET

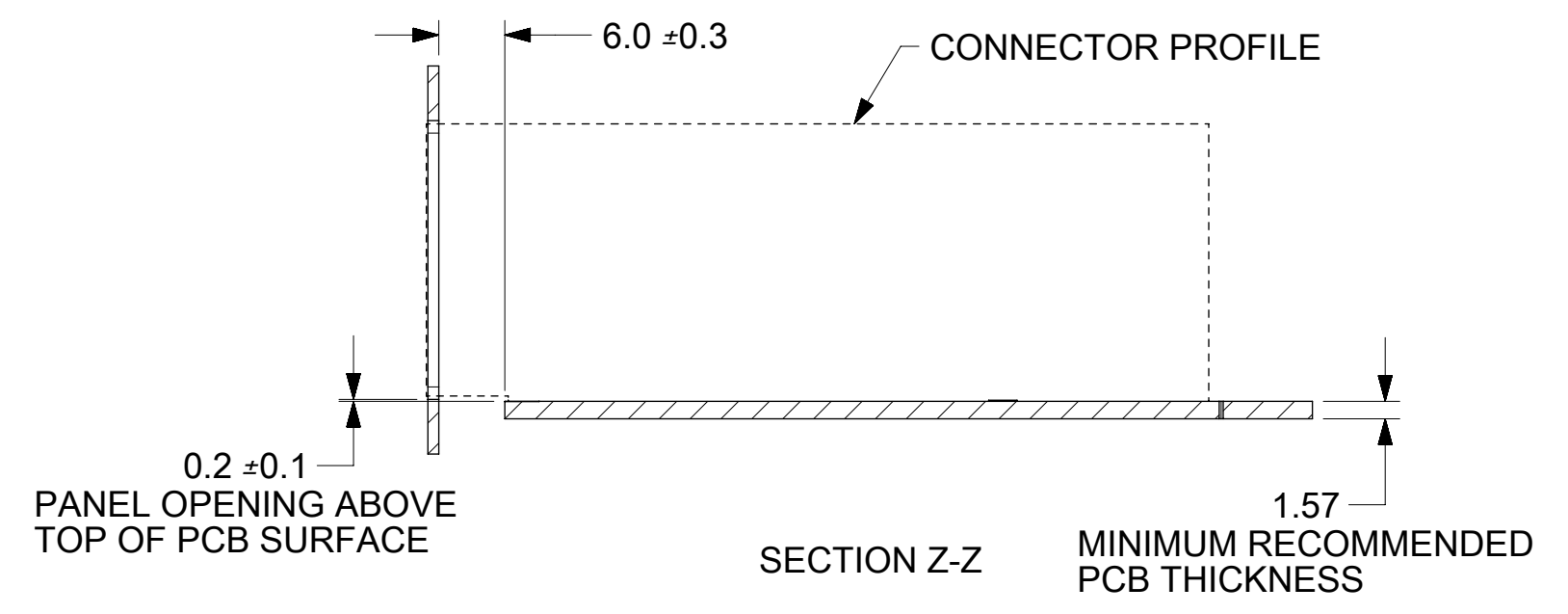
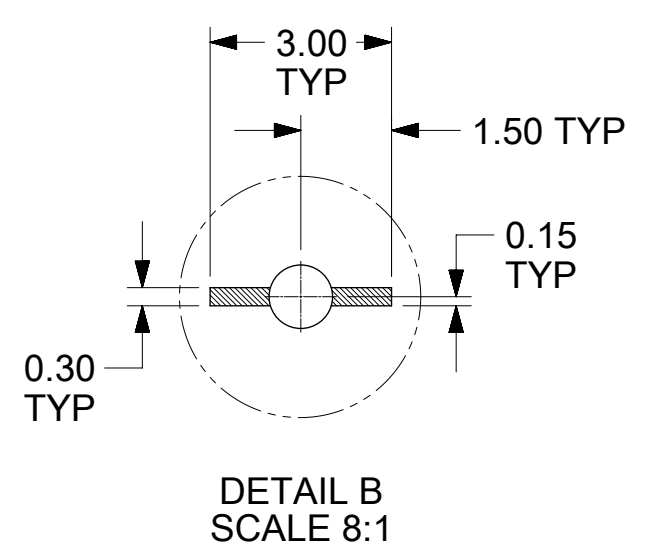
PRODUCT CUSTOMER DRAWING

DOCUMENT NUMBER	DOC TYPE	DOC PART	REVISION
SD-171565-2000	PSD	001	A2

MATERIAL NUMBER	CUSTOMER	SHEET NUMBER
SEE CHART	GENERAL MARKET	2 OF 4



PORT SIZE	DIM 'E'	DIM 'F'	DIM 'G'
2X1	19.5	19.85	24.50
2X2	38.5	38.85	43.50
2X3	57.5	57.85	62.50



- NOTES:**
1. THE ENTIRE AREA UNDER THE CONNECTOR IS A KEEP OUT ZONE FOR COMPONENTS AND TRACES, TOP LAYER ONLY, EXCEPT FOR CHASSIS GROUND.
 2. CROSS-HATCHED AREAS INDICATE PLACES WHERE THE PLASTIC HOUSING AND METAL CAGE MAY CONTACT PCB SURFACE. THESE AREAS ARE KEEP OUT ZONES. CROSS-HATCHED AREA UNDER THE CONNECTOR ARE TRACE AND VIA KEEP OUT AREAS FOR THE TOP LAYER.
 3. THESE RECTANGULAR ZONES ARE FOR LED PLACEMENT. LED HEIGHT SHOULD NOT EXCEED 0.8 AND PLACEMENT SHOULD BE CENTERED WITHIN THIS LED KEEP-IN ZONE.
 4. RECOMMENDED LED CHIP PACKAGE SIZE IS 0805.

THIS DRAWING CONTAINS INFORMATION THAT IS PROPRIETARY TO MOLEX ELECTRONIC TECHNOLOGIES, LLC AND SHOULD NOT BE USED WITHOUT WRITTEN PERMISSION

DIMENSION UNITS mm	SCALE 1:1	CURRENT REV DESC: SEE REVISION HISTORY		molex		
GENERAL TOLERANCES (UNLESS SPECIFIED)		EC NO: 617910				
4 PLACES	±	±	DRWN: CWANG67	2019/05/21	PRODUCT CUSTOMER DRAWING	
3 PLACES	±	±	CHK'D: CWANG67	2019/05/24	DOCUMENT NUMBER	
2 PLACES	±	0.13	APPR: RNELSON	2019/05/28	SD-171565-2000	
1 PLACE	±	0.25	INITIAL REVISION:		DOC TYPE	DOC PART
0 PLACES	±	±	DRWN: JKACHLIC	2012/08/23	PSD	001
ANGULAR TOL ± 0.5°		APPR: MBANAKIS		2012/08/30	REVISION	A2
DRAFT WHERE APPLICABLE MUST REMAIN WITHIN DIMENSIONS		THIRD ANGLE PROJECTION	DRAWING	SERIES	MATERIAL NUMBER	CUSTOMER
			C-SIZE	171565	SEE CHART	GENERAL MARKET
						SHEET NUMBER
						3 OF 4

REVISION HISTORY		
DATE	REV.	DESCRIPTION
2019/05/23	A2	1.ADDED REVISION HISTORY TABLE. 2.UPDATE NOTE4 FOR PK SPEC. 3.CHG DATE CODE FORMAT TO LDDDYX.
		4.UPDATE KEEP OUT ZONE AND VERBIAGE IN NOTE1&2, SHEET3. 5.UPDATE PANEL OPENING INFORMATION IN SHEET3.

THIS DRAWING CONTAINS INFORMATION THAT IS PROPRIETARY TO MOLEX ELECTRONIC TECHNOLOGIES, LLC AND SHOULD NOT BE USED WITHOUT WRITTEN PERMISSION

DIMENSION UNITS	SCALE	CURRENT REV DESC: SEE REVISION HISTORY		molex				
mm	1:1							
GENERAL TOLERANCES (UNLESS SPECIFIED)		EC NO: 617910		ZQSFP+ STACKED ASSY W/ELASTOMERIC GASKET				
ANGULAR TOL	± 0.5°	DRWN: CWANG67	2019/05/21					
4 PLACES	±	CHK'D: CWANG67	2019/05/24					
3 PLACES	±	APPR: RNELSON	2019/05/28	PRODUCT CUSTOMER DRAWING				
2 PLACES	± 0.13	INITIAL REVISION:		DOCUMENT NUMBER				
1 PLACE	± 0.25	DRWN: JKACHLIC	2012/08/23	SD-171565-2000		DOC TYPE	DOC PART	REVISION
0 PLACES	±	APPR: MBANAKIS	2012/08/30			PSD	001	A2
DRAFT WHERE APPLICABLE MUST REMAIN WITHIN DIMENSIONS	THIRD ANGLE PROJECTION	DRAWING	SERIES	MATERIAL NUMBER	CUSTOMER	SHEET NUMBER		
		C-SIZE	171565		GENERAL MARKET	4 OF 4		

DOCUMENT STATUS	P1	RELEASE DATE	2019/05/28 04:38:04
-----------------	----	--------------	---------------------