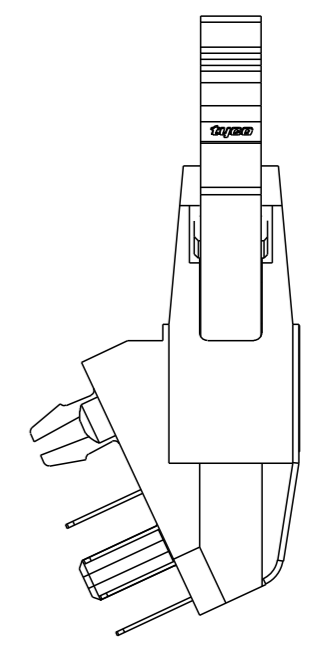
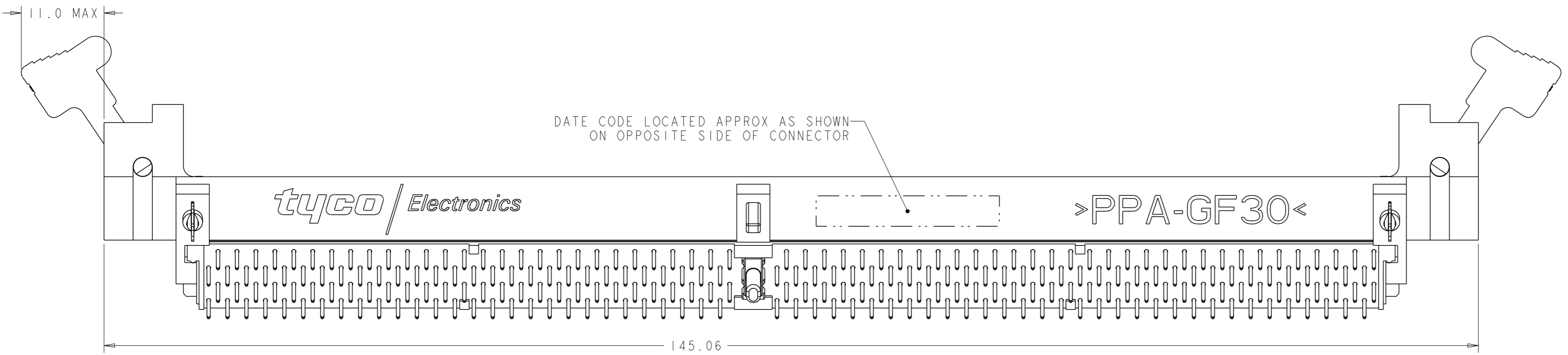
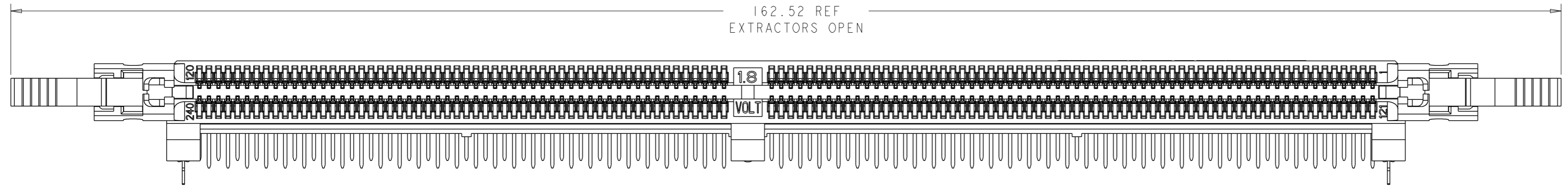
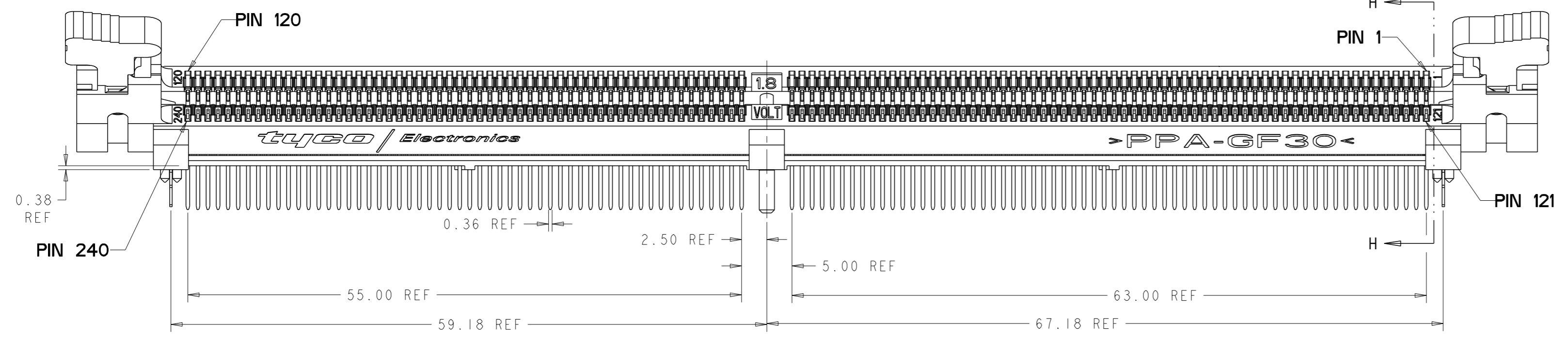


LOC		DIST		REVISIONS			
P	LTN	DESCRIPTION	DATE	DRN	APVD		
	D	REVISED PER ECR-10-025869	16DEC2010	S.W	C.W		



TAIL LENGTHS

- 2.67±0.25 FOR 1.60 (.063") THK PCB
- 3.18±0.25 FOR 2.36 (.093") THK PCB
- 4.00±0.25 FOR 3.18 (.125") THK PCB



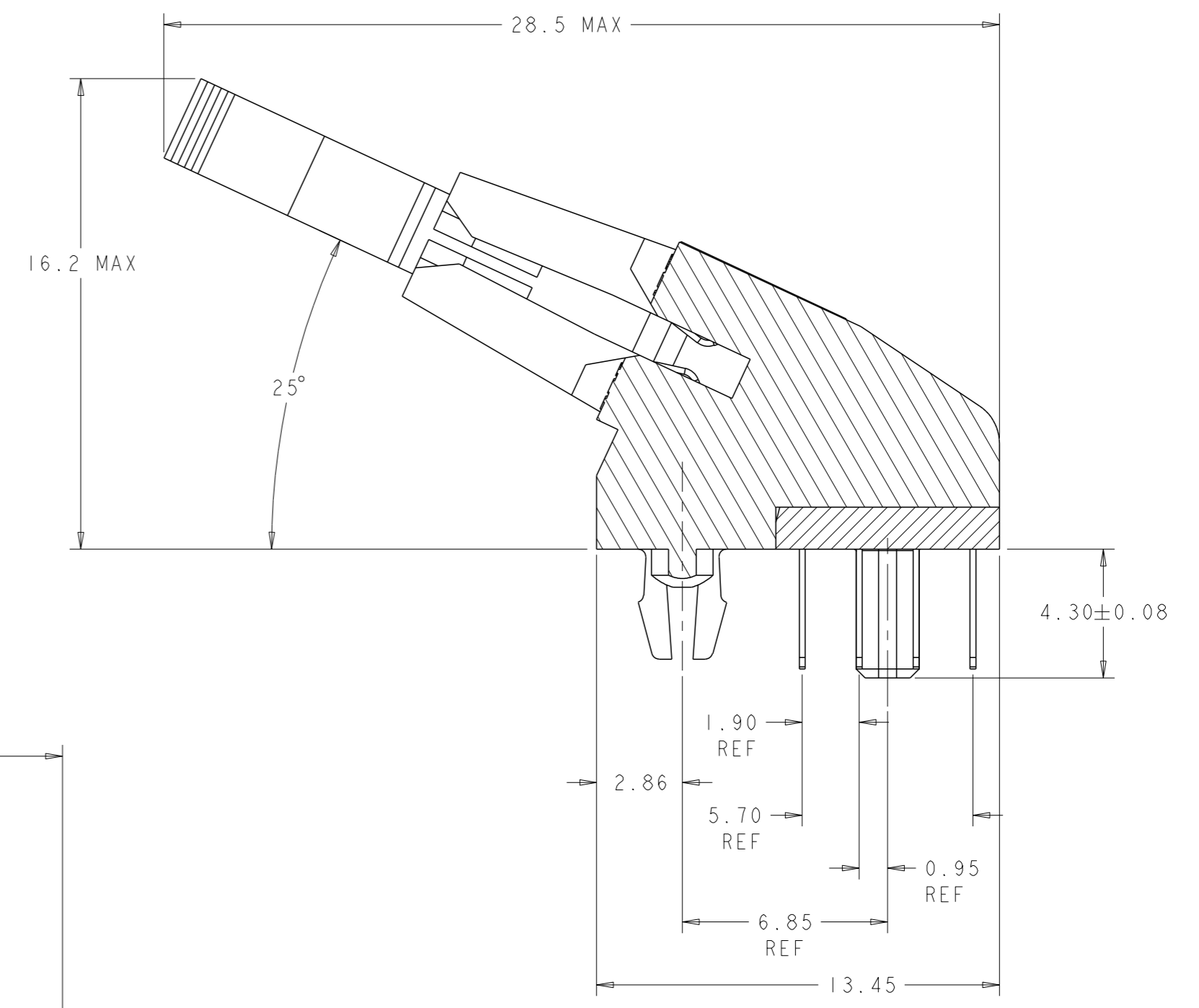
- 1 MATERIALS:
 HOUSING: HIGH TEMPERATURE THERMOPLASTIC, UL94 V-0
 EXTRACTOR: HIGH TEMPERATURE THERMOPLASTIC
 CONTACTS: COPPER ALLOY
 RETENTION BARB: COPPER ALLOY

- 6 DATUM -F- IS CONNECTOR SIDE SURFACE OF PCB.
 7 PORE BLOCKER APPLIED TO CONTACT INTERFACE.

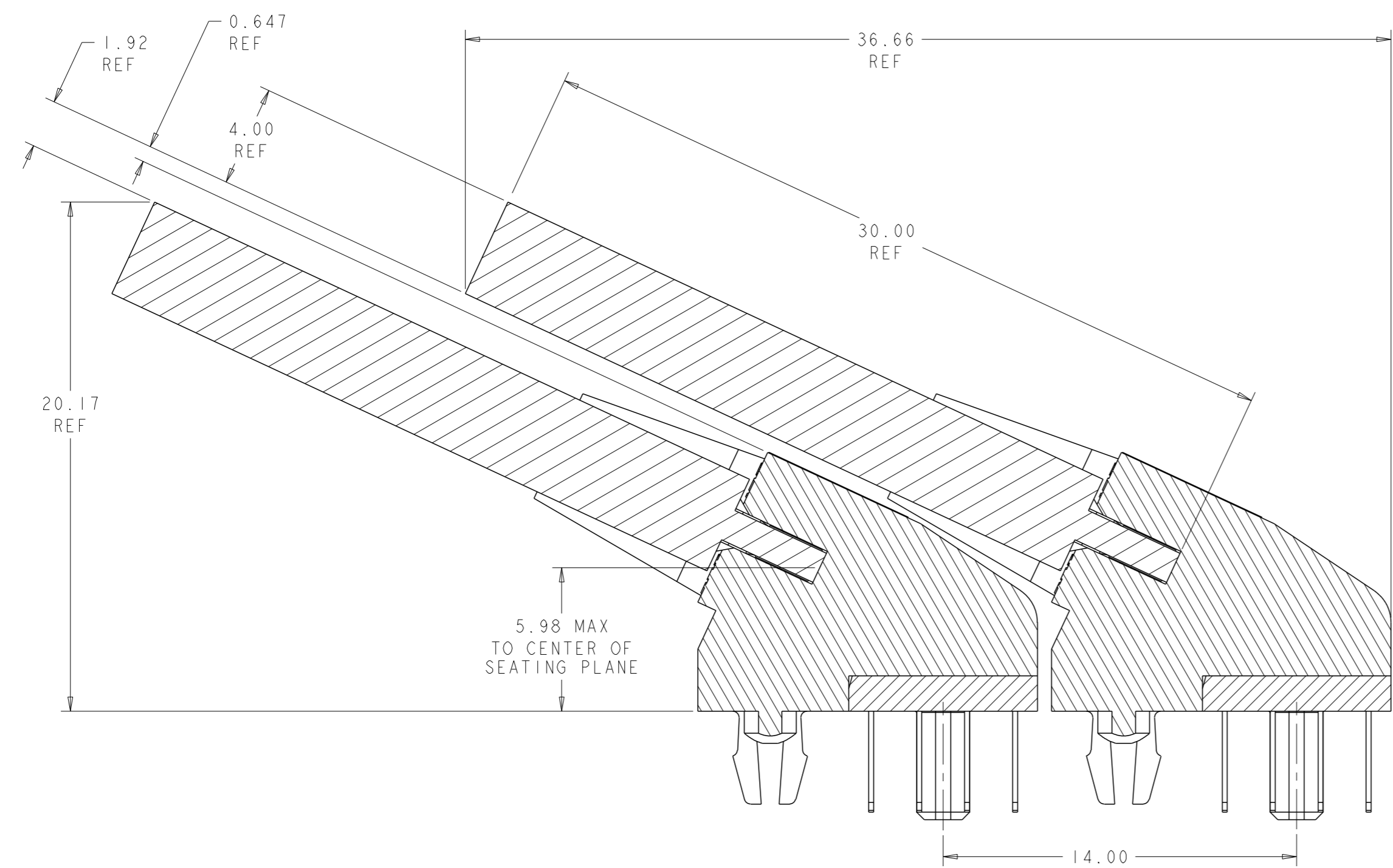
- 2 INTERFACE FINISH:
 0.00076 MIN THK GOLD OVER 0.00127 MIN THK NICKEL.
 0.00038 MIN THK GOLD OVER 0.00127 MIN THK NICKEL.
- 3 SOLDER TAIL FINISH:
 0.00300 MIN THK MATTE LEAD FREE PLATING OVER 0.00127 MIN THK NICKEL.
- 4 RIGHT HOLE IS GLOBAL D-E ORIGIN FOR ALL POSITIONAL TOLERANCES.
 LEFT AND RIGHT NON-PLATED THRU HOLES ESTABLISH -E-.
- 5 FINISHED HOLE SIZE. Ø0.15 MAXIMUM ANNULAR RING.

DIMENSIONS:		TOLERANCES UNLESS OTHERWISE SPECIFIED:		DWG: D. RINGLER 18JUL2003		Tyco Electronics Corporation	
mm		0 PLC ±.25		CHK: J. McCLELLAN 21AUG2003		SH/CN GuiPing RD 6688	
⊕		1 PLC ±0.25		APVD: -		NAME: SOCKET ASSEMBLY	
⊕		2 PLC ±0.15		PRODUCT SPEC: 108-2168		25 DEGREE DDR 11 DIMM	
⊕		3 PLC ±0.013		APPLICATION SPEC: 114-13130		240 POSITION	
⊕		4 PLC ±.1		SIZE: A		CAGE CODE: 00779	
⊕		ANGLES ±.1		DRAWING NO: C=1658787		RESTRICTED TO: -	
MATERIAL: 1		FINISH: 2, 3		WEIGHT: -		SCALE: 1:1	
CUSTOMER DRAWING				SHEET 1 OF 3		REV D	

LOC		DIST		REVISIONS			
P	LTN	DESCRIPTION	DATE	DRN	APVD		
ES	00	SEE SHEET 1					



SECTION H-H
SCALE 8:1



MINIMUM RECOMMENDED ROW TO ROW SPACING
FOR 4mm THICK MODULE

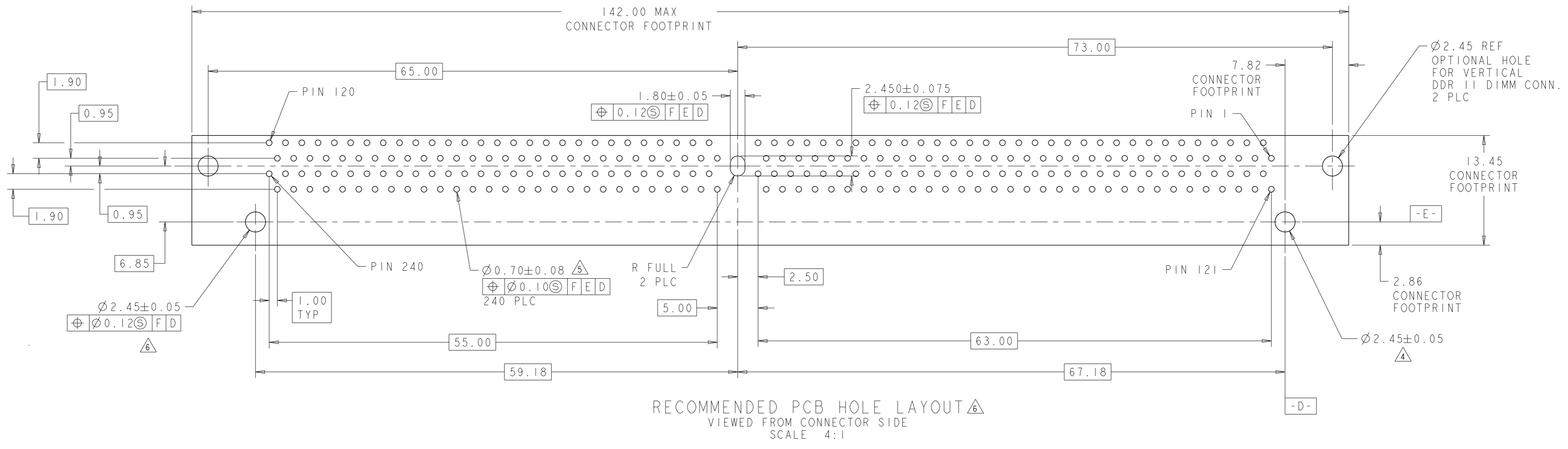
SCALE 8:1

①	OBsolete	EXTRATOR COLOR	HOUSING COLOR	CONTACT GOLD INTERFACE	TAIL LENGTH	PART NUMBER
	OBsolete	BLACK	BLACK	0.00038 MIN	2.67	2-1658787-4
	OBsolete			0.00008 MIN	4.00	1658787-9
	OBsolete			0.00008 MIN	3.18	1658787-8
	OBsolete			0.00008 MIN	2.67	1658787-7
	OBsolete			0.00038 MIN	4.00	1658787-6
	OBsolete	NATURAL	BLACK	0.00038 MIN	3.18	1658787-5
	OBsolete			0.00038 MIN	2.67	1658787-4
				0.00076 MIN	4.00	1658787-3
	OBsolete			0.00076 MIN	3.18	1658787-2
	OBsolete			0.00076 MIN	2.67	1658787-1

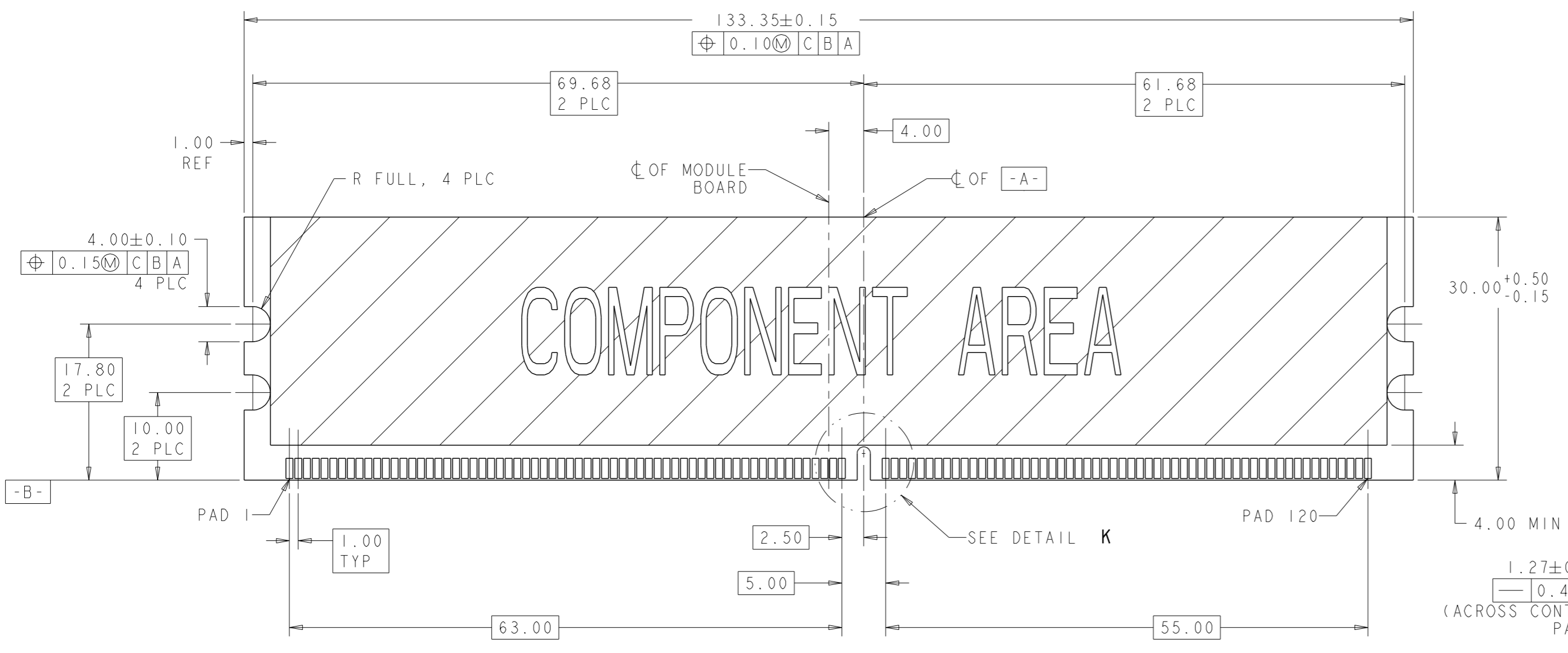
DIMENSIONS: mm		TOLERANCES UNLESS OTHERWISE SPECIFIED:		DWN D. RINGLER 18JUL2003		Tyco Electronics corporation	
0 PLC	±.05	1 PLC	±.025	CHK 21AUG2003	APVD - NAME		
2 PLC	±.015	3 PLC	±.013	PRODUCT SPEC			
4 PLC	±.013	ANGLES ±.1		APPLICATION SPEC			
MATERIAL		FINISH		WEIGHT		RESTRICTED TO	
						SIZE CAGE CODE DRAWING NO	
						A 00779 C=1658787	
				CUSTOMER DRAWING		SCALE 1:1 SHEET 2 OF 3 REV D	

LOC	DIST	REV	DATE	BY	APPV
ES	00				

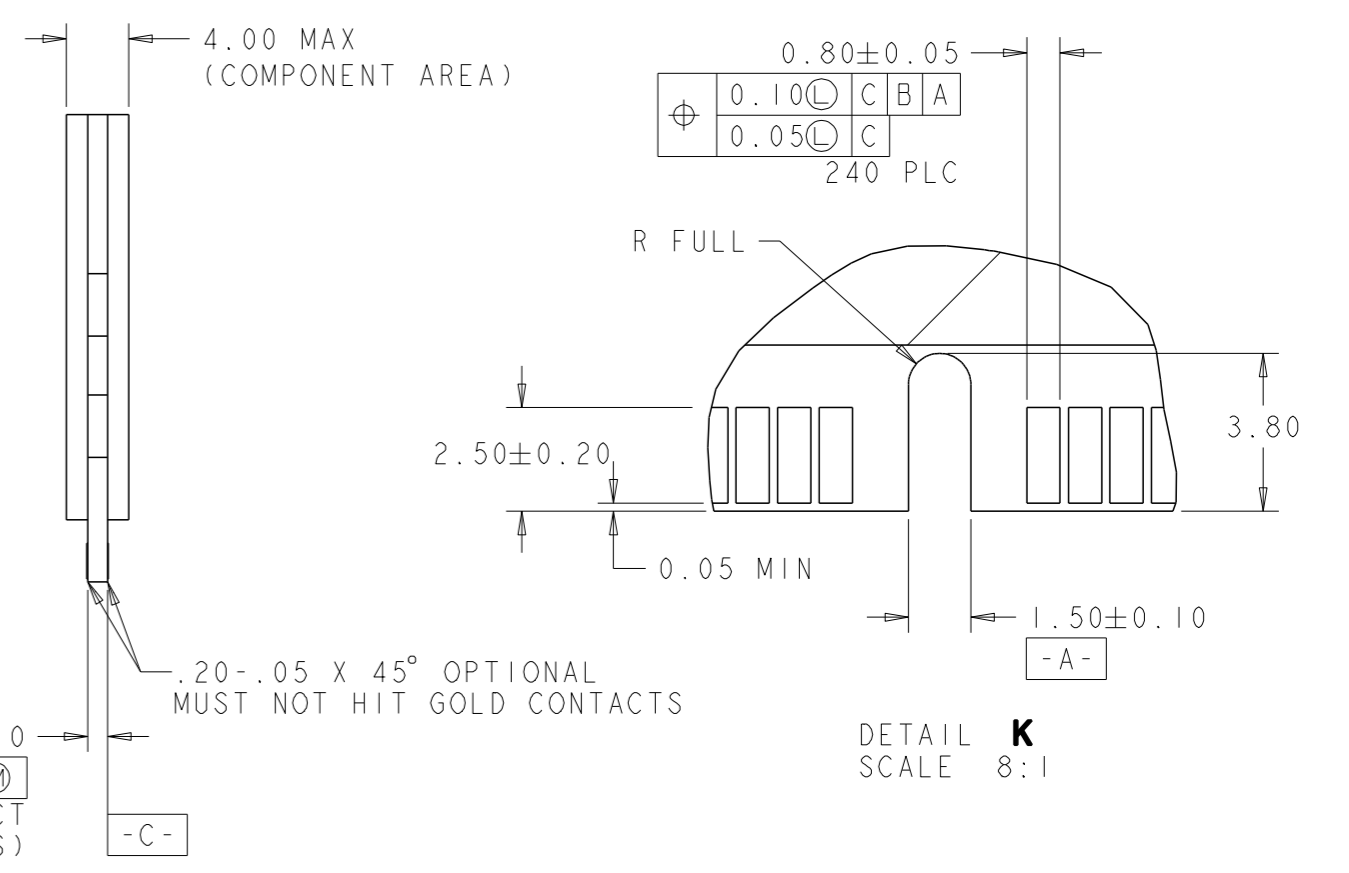
REVISIONS					
NO.	DATE	DESCRIPTION	DATE	BY	APPV
-	-	SEE SHEET 1	-	-	-



RECOMMENDED PCB HOLE LAYOUT Δ
 VIEWED FROM CONNECTOR SIDE
 SCALE 4:1



RECOMMENDED MODULE LAYOUT
 SCALE 3:1



DETAIL K
 SCALE 8:1

<small>THIS DRAWING IS A CONTROLLED DOCUMENT FOR TYCO ELECTRONICS CORPORATION. IT IS THE PROPERTY OF TYCO ELECTRONICS CORPORATION AND IS TO BE USED ONLY FOR THE INTENDED APPLICATION AND IN ACCORDANCE WITH THE TERMS AND CONDITIONS OF THE LICENSE AGREEMENT. UNLESS OTHERWISE SPECIFIED, ALL DIMENSIONS ARE IN MILLIMETERS.</small>		DWN: D. RINGLER 18JUL2003 CHK: 21AUG2003 NAME: Tyco Electronics Corporation SH/CN GuiPing RD 668#
DIMENSIONS: mm 	TOLERANCES UNLESS OTHERWISE SPECIFIED: 0 PLC ±.25 1 PLC ±0.25 2 PLC ±0.15 3 PLC ±0.013 4 PLC ±.1 ANGLES ±1	PRODUCT SPEC: - APPLICATION SPEC: - MATERIAL: - FINISH: -
CUSTOMER DRAWING		SIZE: A CAGE CODE: 00779 DRAWING NO: C=1658787 RESTRICTED TO: - SCALE: 1:1 SHEET: 3 OF 3 REV: D