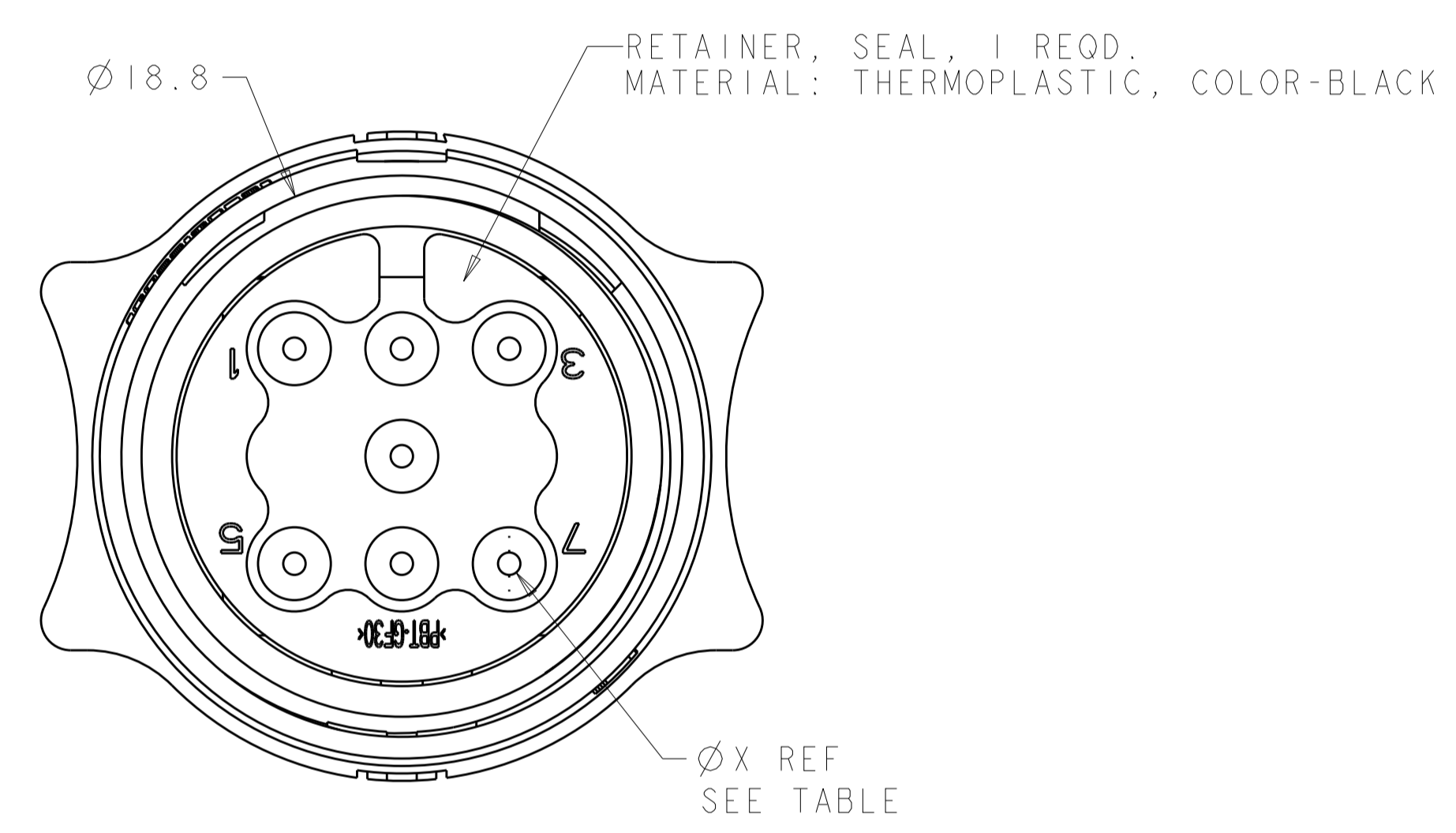
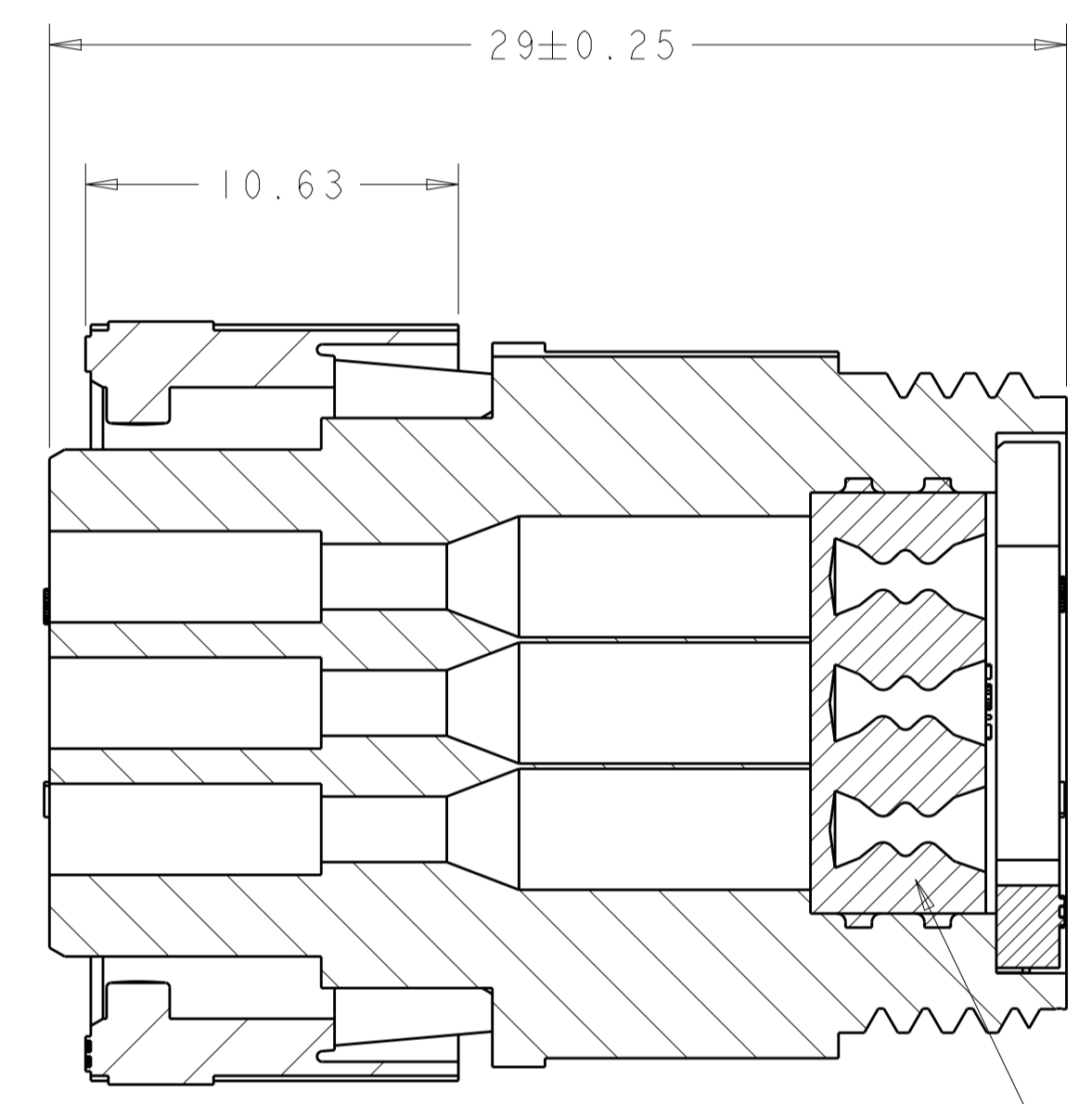
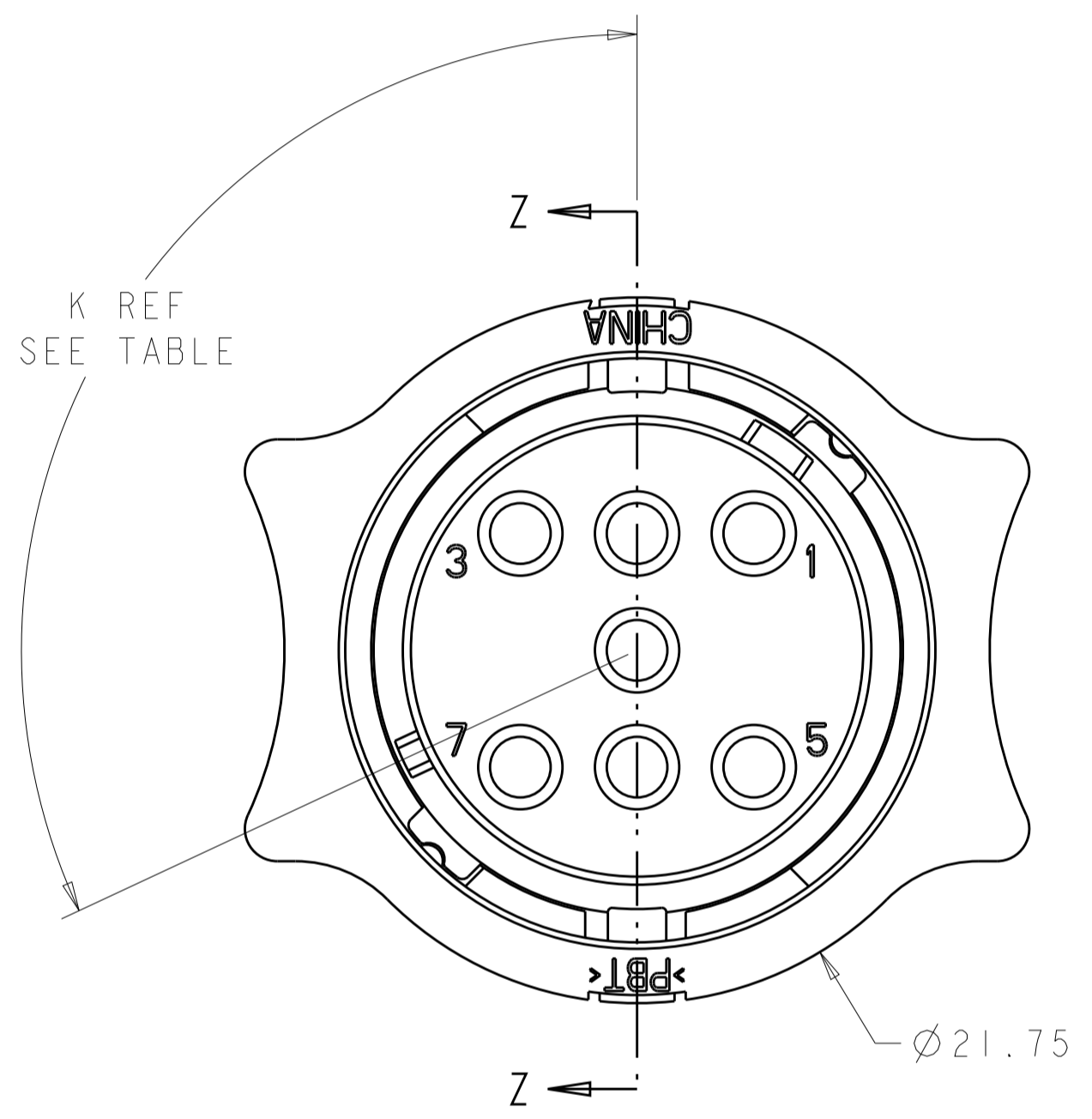
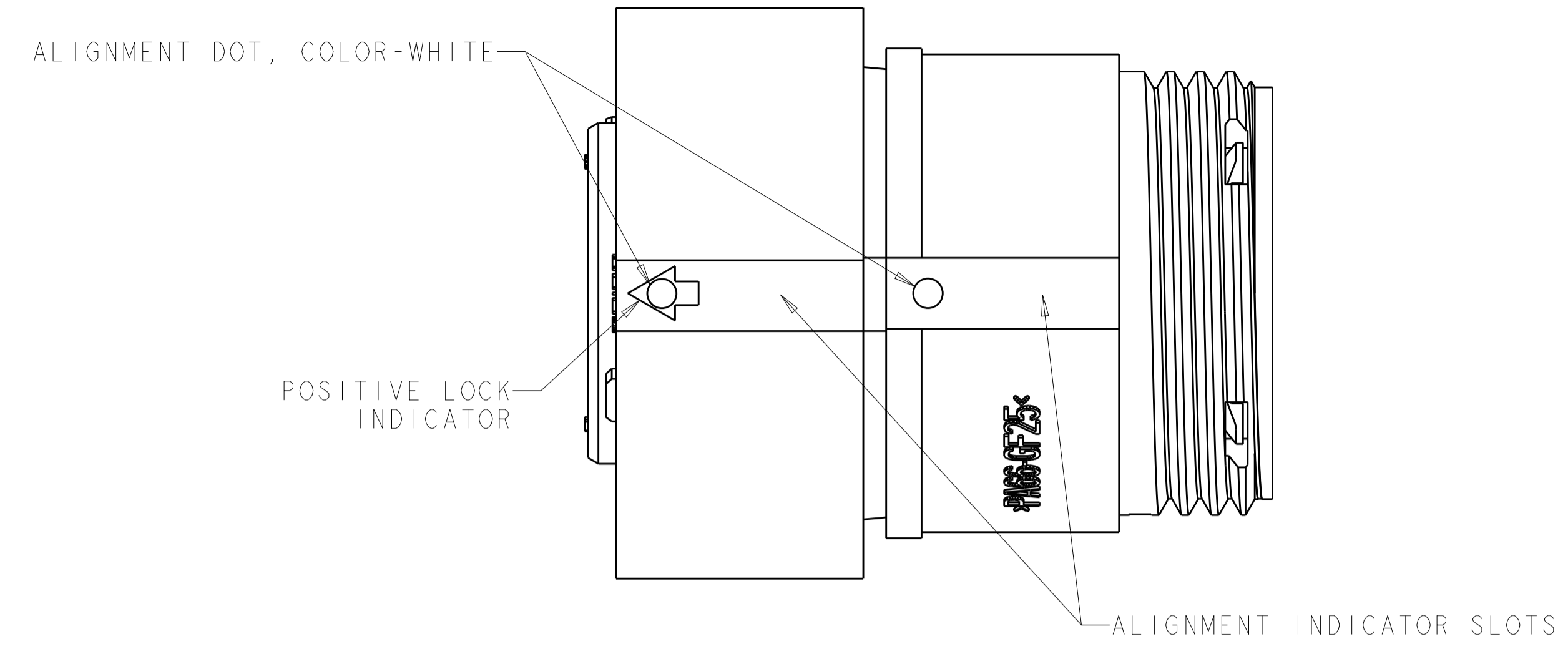
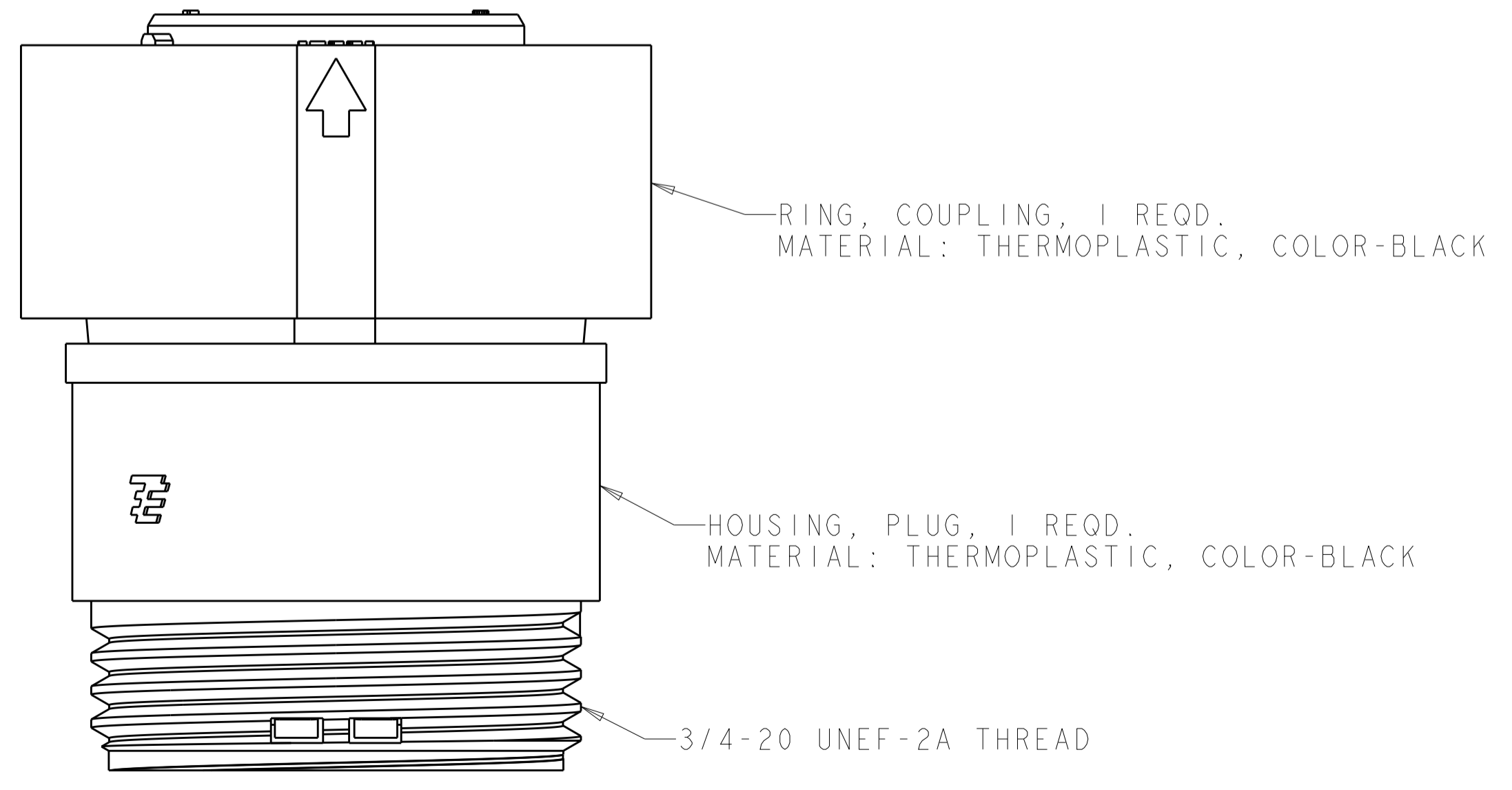


| REVISIONS | | | | |
|-----------|-----|---------------------------|-----------|-------|
| P. | LTN | DESCRIPTION | DATE | APVD |
| C2 | | REVISED PER ECO-15-010004 | 13JUL2015 | NK MZ |
| D | | REVISED PER ECO-16-018352 | 24MAR2017 | RS MZ |



SEAL, WIRE ENTRY, 1 REQD.
MATERIAL: ELASTOMER, COLOR-SEE TABLE



| | | | | |
|----------|------------------------|---------|-------|-------------|
| OBSELETE | YELLOW | Ø 0.75 | 135° | 1445818-4 |
| | NATURAL | Ø 1.5 | 115° | 1445818-3 |
| OBSELETE | NATURAL | Ø 1.5 | 135° | 1445818-2 |
| | YELLOW | Ø 0.75 | 115° | 1445818-1 |
| | SEAL, WIRE ENTRY COLOR | Ø X REF | K REF | PART NUMBER |

THIS DRAWING IS A CONTROLLED DOCUMENT.

OWN: SHANE WIESE 16OCT2001
 CHG: G DOUTY 16OCT2001
 APVD: H. WAKEEM 13JUN2003

STE TE Connectivity

DIMENSIONS: mm
 TOLERANCES UNLESS OTHERWISE SPECIFIED:
 0 PLC ±
 1 PLC ±0.13
 2 PLC ±
 3 PLC ±
 4 PLC ±
 ANGLES ±
 FINISH

MATERIAL: SEE CALLOUT

NAME: ASSEMBLY, PLUG, SIZE 11, 7 POSITION, SEALED, MINI CPC

SIZE: A1
 CAGE CODE: 100779
 DRAWING NO: 1445818

RESTRICTED TO: -

CUSTOMER DRAWING

SCALE: 5:1 SHEET 1 OF 1 REV D