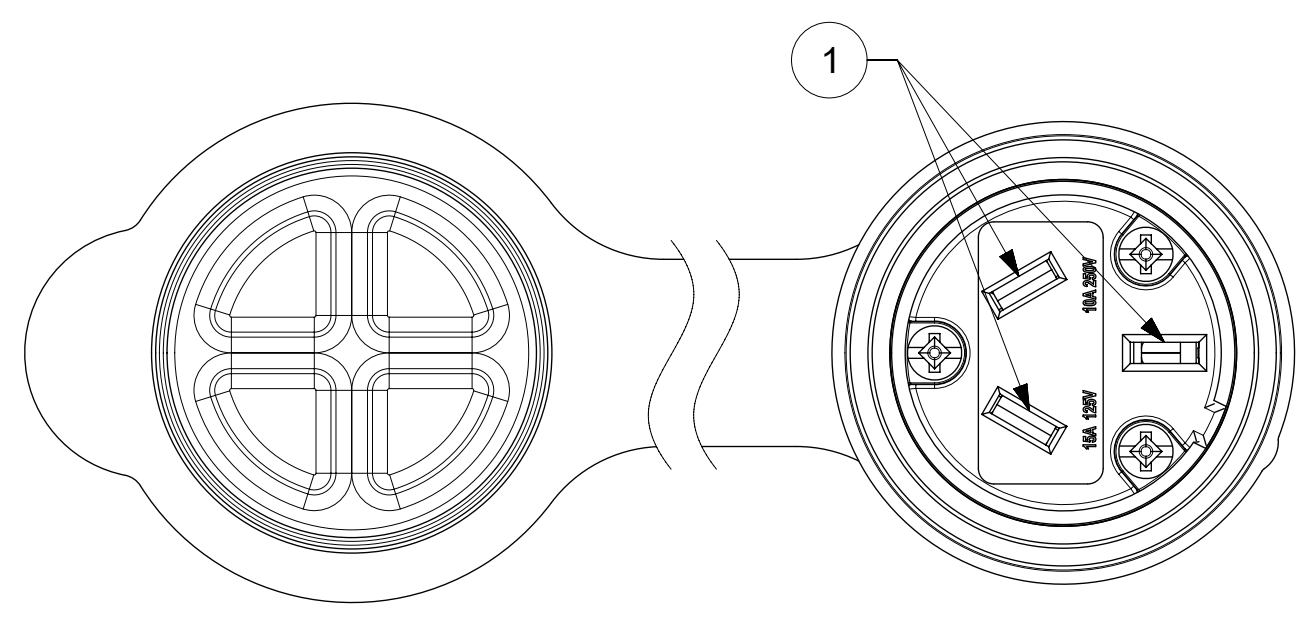
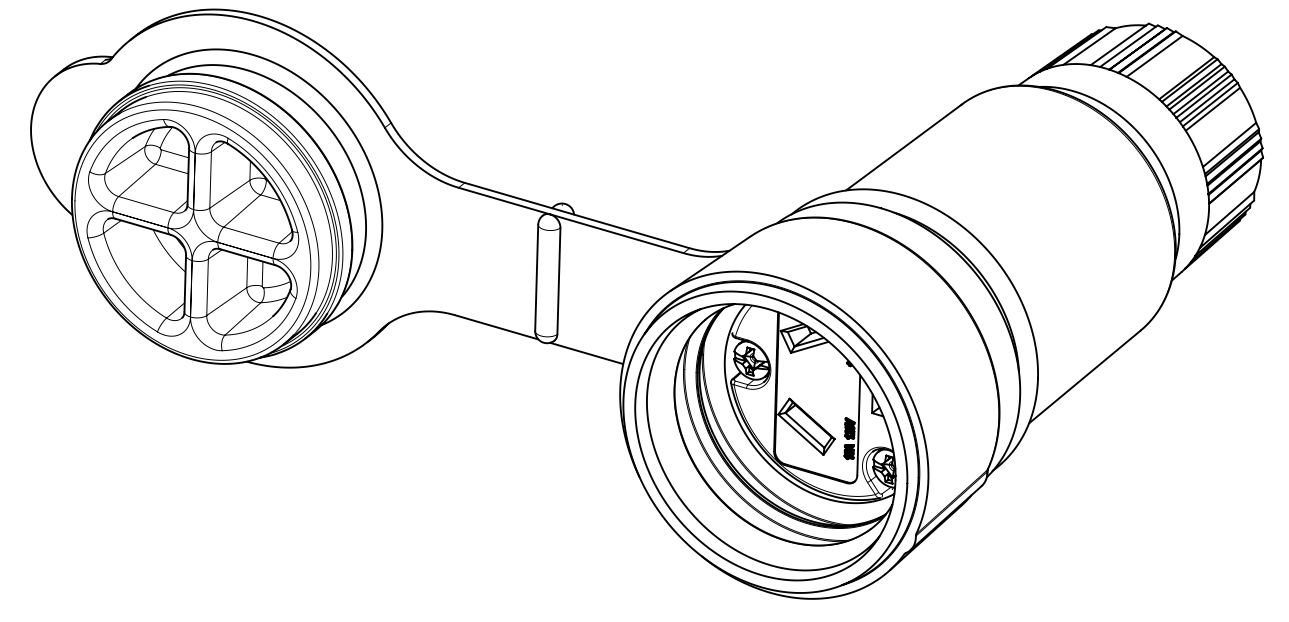
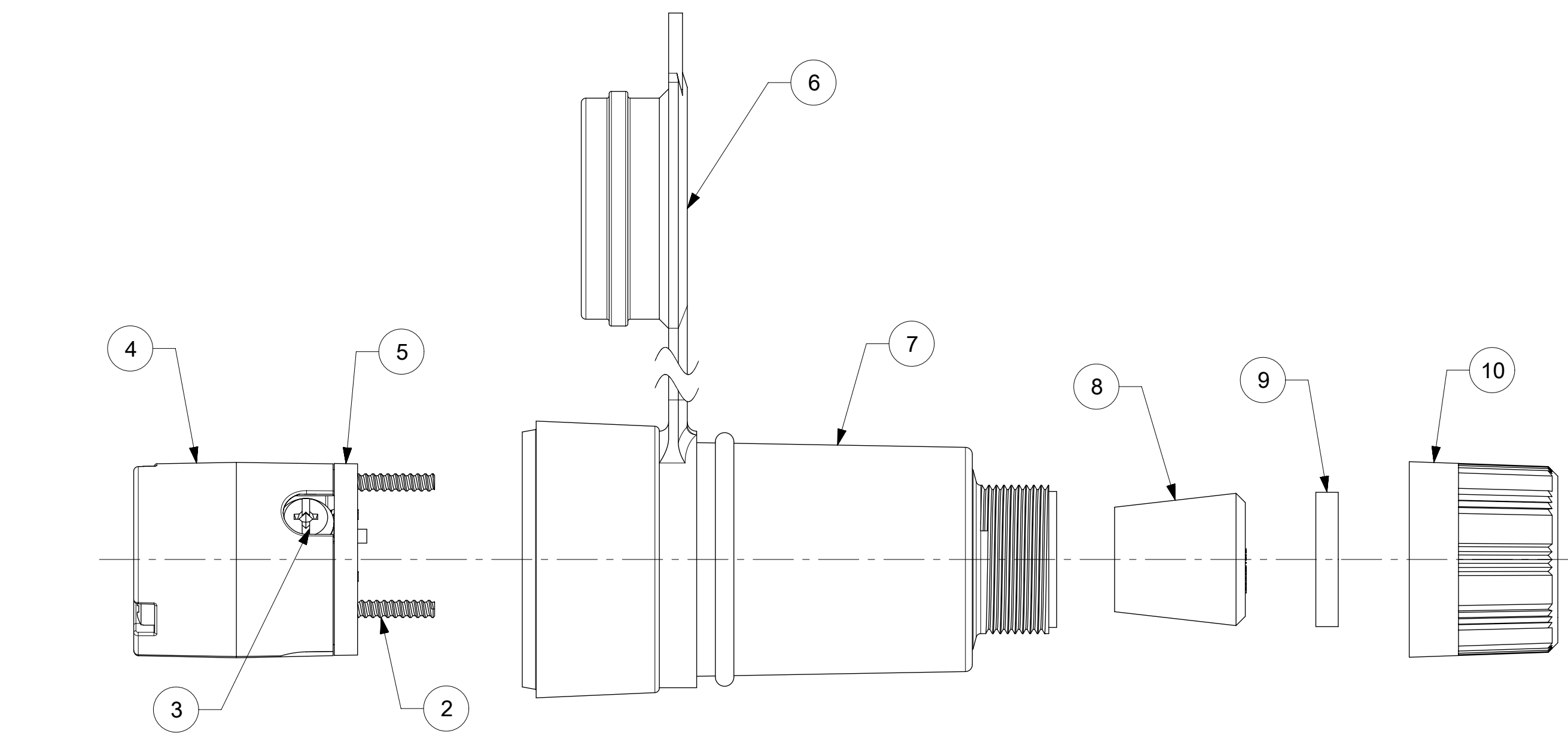
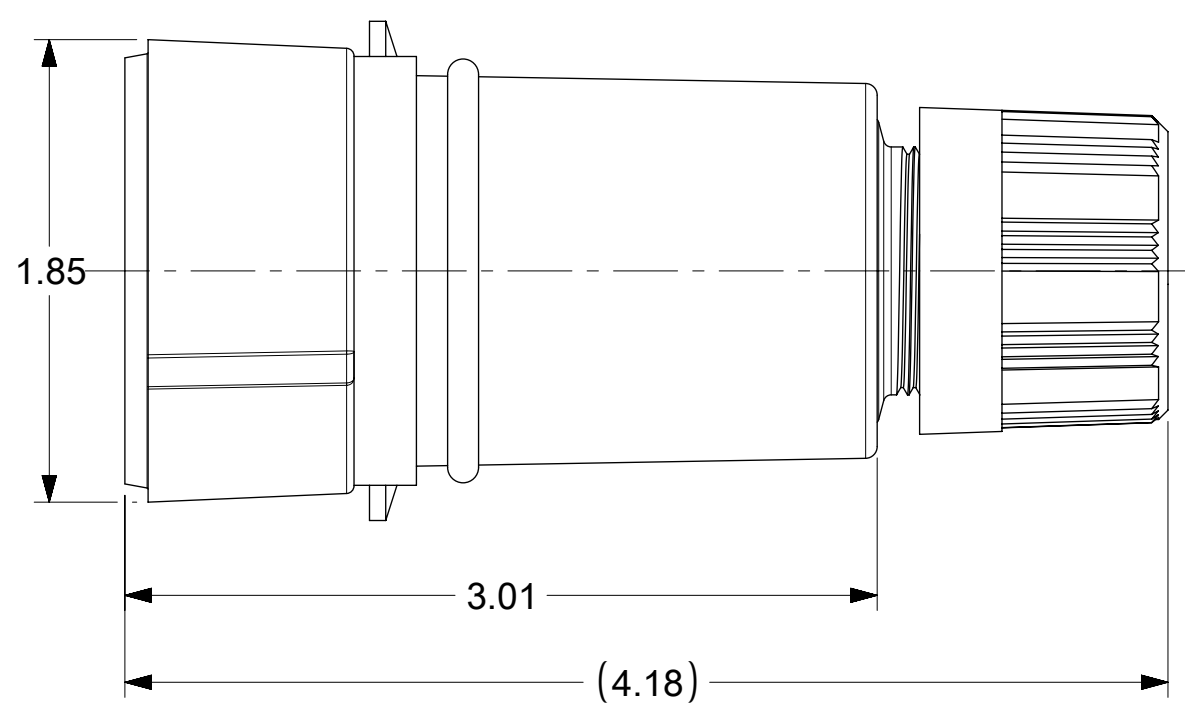


ORDER NO.	WOODHEAD NO.	COLOR
130146-0192	15W07-P	YELLOW



**FACE VIEW**



ITEM NO.	DESCRIPTIONS	MATERIAL	QTY.
1	BLADES	BRASS	3
2	RETAINING SCREWS	STAINLESS STEEL	3
3	TERMINAL SCREWS	BRASS, ZINC PLATED	3
4	INSERT	NYLON	1
5	TERMINAL COVER	POLYCARBONATE	1
6	FLIP COVER	SILICON	1
7	HOUSING	RUBBER WITH NYLON THREAD	1
8	GROMMETS	RUBBER	5
9	FRICTION RING	NYLON	1
10	COMPRESSION NUT	NYLON	1

**NOTES:**  
 1. SEE INSTRUCTION SHEET NUMBER 1301414770 FOR PRODUCT SPECIFICATION.  
 2. CABLE RANGE FROM 0.375" TO 0.625"

SYMBOLS		THIS DRAWING CONTAINS INFORMATION THAT IS PROPRIETARY TO MOLEX ELECTRONIC TECHNOLOGIES, LLC AND SHOULD NOT BE USED WITHOUT WRITTEN PERMISSION	
▽ = 0	DIMENSION UNITS	SCALE	CURRENT REV DESC: RELEASED
▽ = 0	INCH	NTS	
▽ = 0	GENERAL TOLERANCES (UNLESS SPECIFIED)		
▽ = 0	ANGULAR TOL	± 0.5°	
▽ = 0	4 PLACES	±	EC NO: 613681
▽ = 0	3 PLACES	± 0.005	DRWN: ABABU01 2018/11/13
▽ = 0	2 PLACES	± 0.01	CHK'D: DNGUYEN62 2019/03/13
▽ = 0	1 PLACE	± 0.02	APPR: HKNEELAND 2019/03/21
□ = 0	0 PLACES	±	INITIAL REVISION:
■ = 0	DRAFT WHERE APPLICABLE MUST REMAIN WITHIN DIMENSIONS		DRWN: ABABU01 2018/11/13
▽ = 0	THIRD ANGLE PROJECTION		APPR: HKNEELAND 2019/03/21
	DRAWING SERIES		
	C-SIZE	130146	
DOCUMENT STATUS		DOC TYPE	DOC PART
P1	RELEASE DATE	1301460192	000
	2019/03/21 12:40:21	PSD	000
		CUSTOMER	REVISION
		GENERAL MARKET	A
		MATERIAL NUMBER	SHEET NUMBER
		SEE TABLE	1 OF 1