

6

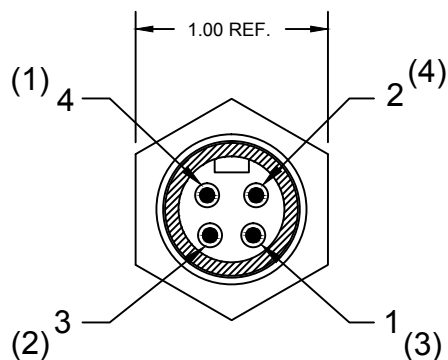
5

4

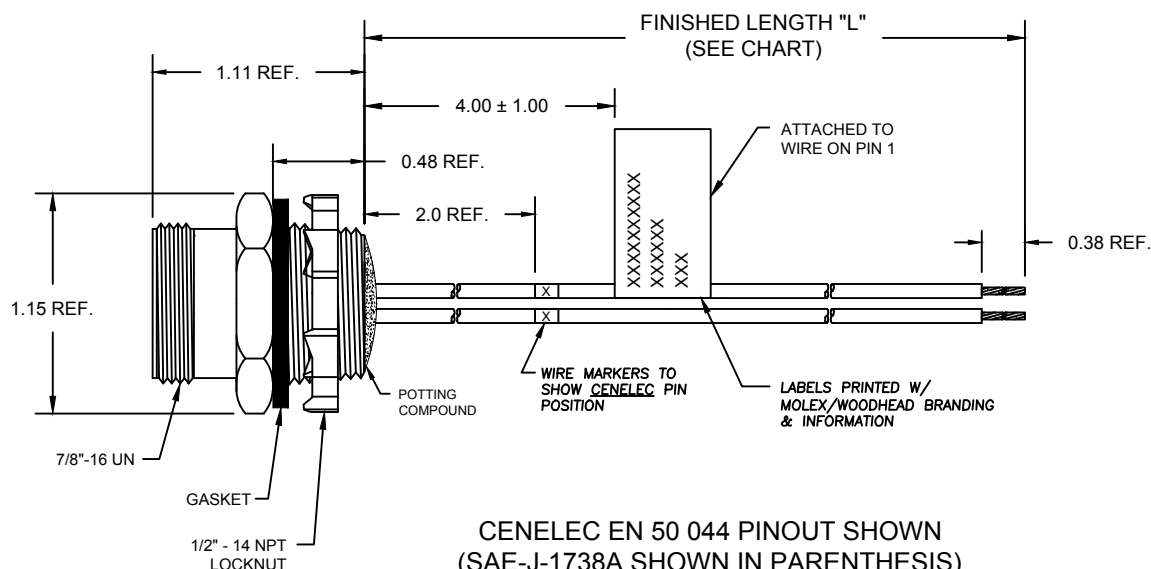
3

2

1



FACE VIEW - MALE

CENELEC EN 50 044 PINOUT SHOWN
(SAE-J-1738A SHOWN IN PARENTHESIS)

1 (3)	BLUE
2 (4)	BLUE
3 (2)	BLUE/WHITE
4 (1)	BLUE/WHITE

SPECIFICATIONS:

SHELL MATERIAL: ZINC DIECAST W/ BLACK ELECTROPHORETIC COATING
 CONTACT MATERIAL: GOLD/NICKEL OVER COPPER ALLOY
 INSERT MATERIAL: YELLOW TPE
 LOCKNUT: ZINC-PLATED STEEL
 GASKET: BLACK NEOPRENE

WIRES: #16-1, PVC LEADS
 ASSEMBLY RATING: 600V, 10A

ENVIRONMENTAL: -20°C TO 105°C
 IP67 WHEN MATED

AGENCY APPROVALS: UL LISTED

MOLEX SAP P/N#	ENGINEERING P/N#	"L" (Meters)	"L" (INCH)	TOLERANCE (INCH)
1300131053	1R4006AA2M020D	2.0 M	78.74"	+3.50/-0.00"
1300131055	1R4006AA2M040D	4.0 M	157.48"	+6.50/-0.00"

CENELEC PINOUT EC NO: IPC62012-1061 6/14/12 DRWN: YOU CHKD: BWOODMAN APPR: JFMURPHY 2012/03/08	QUALITY SYMBOLS ▽=0 ▽C=0	GENERAL TOLERANCES (UNLESS SPECIFIED)		DIMENSION STYLE INCH	SCALE 1:1	DESIGN UNITS INCH	THIRD ANGLE PROJECTION	
			mm	INCH	DRAWN BY YOU	DATE 2010/12/13	TITLE MINI-CHANGE RECEPTACLE 4P MR 1/2 NPT MOUNT #16-1 PVC WIRES	
		4 PLACES	±---	±---	CHECKED BY BWOODMAN	DATE 2012/02/17	MOLEX MOLEX INCORPORATED	
		3 PLACES	±---	±.005	APPROVED BY JFMURPHY	DATE 2012/03/08	MATERIAL NO.	DOCUMENT NO. SD-130013-033
		2 PLACES	±0.13	±.010	SEE CHART			THIS DRAWING CONTAINS INFORMATION THAT IS PROPRIETARY TO MOLEX INCORPORATED AND SHOULD NOT BE USED WITHOUT WRITTEN PERMISSION
		1 PLACE	±0.25	±.020	DRAFT WHERE APPLICABLE MUST REMAIN WITHIN DIMENSIONS			
		ANGULAR ±1/2°						

6

5

4

3

2

1