

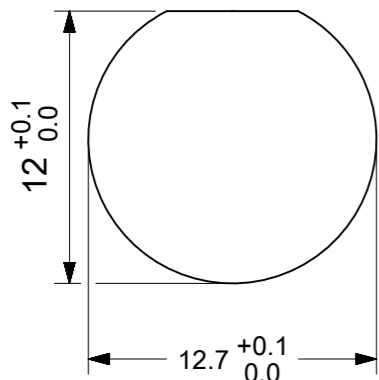
PRODUCT SPECIFICATION:  
 PROTECTION CLASS - IP67  
 VOLTAGE RATING - 60 Vac / 75 Vdc  
 CONTACT CURRENT RATING - 4 Amps

PART No MATRIX

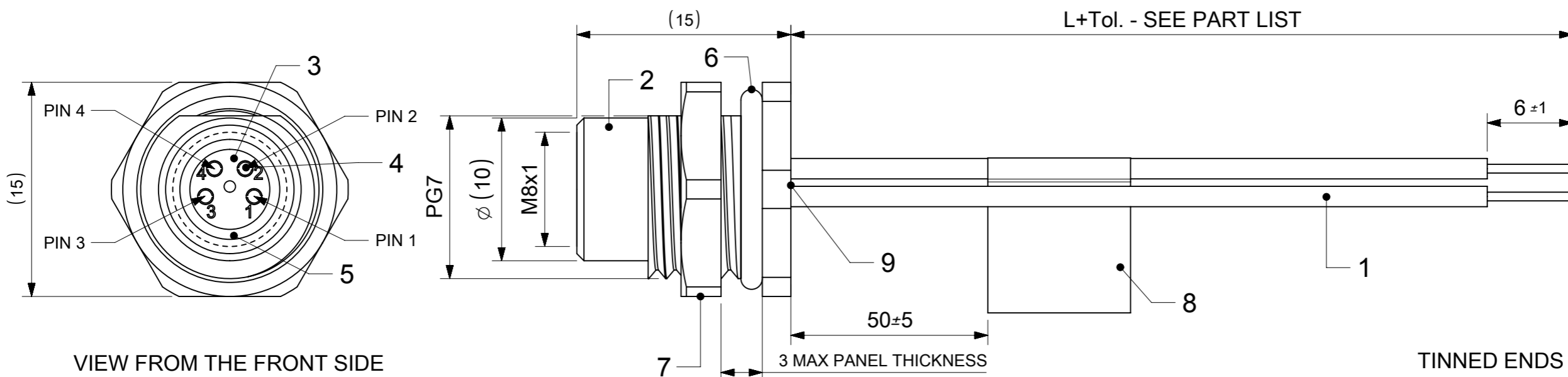
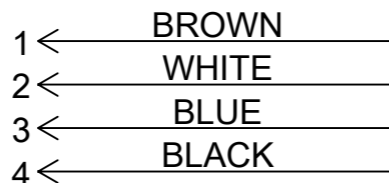
**4 R 4 H 4 0 E 0 2 X X X X 3**

4R = Nano Change Receptacle	Poles: 4 = 4 Poles	Heads style: H40 = M8 Female/PG7 Male REC	Wire: E02 = 1.43mm <sup>2</sup> , PVC	Units: M = Meter C = Centimeter	Length Examples: 005 = 0.5 m 010 = 1 m 020 = 2 m 050 = 5 m 100 = 10 m 150 = 15 m 200 = 20 m	Shell Material: 3=Brass, Nickel Plated
-----------------------------	--------------------	---	---------------------------------------	---------------------------------	---	--

PANEL CUTOUT



WIRING DIAGRAM



BILL OF MATERIALS

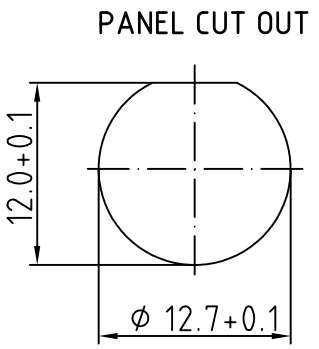
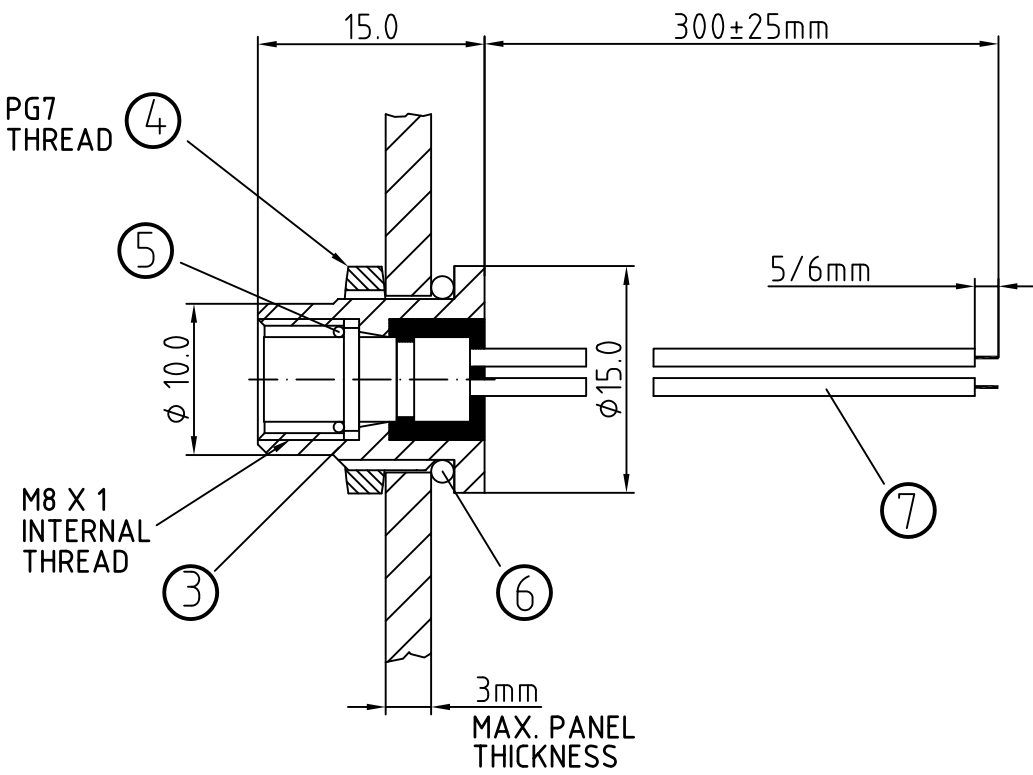
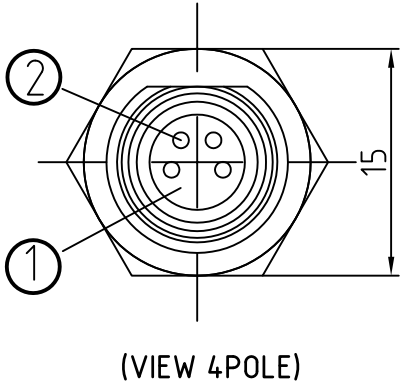
ITEM	QTY	DESCRIPTION	MATERIAL	FINISH/COLOR
9	-	POTTING MATERIAL	WEVO	-
8	1	LABEL	VINYL	YELLOW
7	1	LOCKNUT PG7	BRASS	NICKEL PLATED
6	1	O-RING	FPM	BLACK
5	1	GASKET 5x0.8	FKM	RED
4	4	CONTACT 10 FE	BRONZE	GOLD OVER NICKEL PLATED
3	1	INSERT M8 4P FE	PUR	BLACK
2	1	REC SHELL M8(FE)xPG7(M)	BRASS	NICKEL PLATED
1	-	WIRES;24AWG;OD=1.43mm	PVC	-

PART LIST

MOLEX PN	ENGINEERING NO	L+Tol.[mm]
1200310022	4R4H40E02C3003	300 +19
1200310035	4R4H40E02M0103	1000 +56

<b>SYMBOLS</b> DIMENSION UNITS: mm SCALE: 3:1 GENERAL TOLERANCES (UNLESS SPECIFIED): ANGULAR TOL: ± ° 4 PLACES: ± 3 PLACES: ± 2 PLACES: ± 1 PLACE: ± 0 PLACES: ± DRAFT WHERE APPLICABLE MUST REMAIN WITHIN DIMENSIONS	THIS DRAWING CONTAINS INFORMATION THAT IS PROPRIETARY TO MOLEX ELECTRONIC TECHNOLOGIES, LLC AND SHOULD NOT BE USED WITHOUT WRITTEN PERMISSION		CURRENT REV DESC: EC NO: 607527 DRWN: MKOWALCZYK01 2018/11/09 CHK'D: DSTACHOWIAK 2018/11/13 APPR: DSTACHOWIAK 2018/11/13		 NC-4P-XW-FE-REC PG7-XXM-PVC PRODUCT CUSTOMER DRAWING	
	INITIAL REVISION: DRWN: MKOWALCZYK01 2018/11/09 APPR: DSTACHOWIAK 2018/11/13		DOCUMENT NUMBER: 1200310022	DOC TYPE: PSD DOC PART: 000 REVISION: A		
	THIRD ANGLE PROJECTION	DRAWING: A3-SIZE	SERIES: 120031	MATERIAL NUMBER: SEE PART LIST CUSTOMER: GENERAL MARKET		SHEET NUMBER: 1 OF 1
	DOCUMENT STATUS: P1   RELEASE DATE: 2018/11/13 10:33:10					

FEMALE FACE VIEW			
4 POLE		5 POLE	
Pin No.	Wire	Pin No.	Wire
1	Brown	1	Brown
2	White	2	White
3	Blue	3	Blue
4	Black	4	Black
		5	Grey



POLE	MATERIAL NUMBER	ENGINEERING NUMBER
4	1200310022	4R4H40E02C3003
5	1200310050	4R5H40E02C3003

CONNECTOR SPECIFICATION:	
VOLTAGE RATING	3-4POL:60V/AC 75V/DC 5POL:30V/AC 36V/DC
AMPERAGE RATING	3 AMPS
PROTECTION	IP68
OPERATING TEMPERATURE	-25°C TO +90°C

ITEM	COMPONENT	MATERIAL	FINISH
1	INSERT	POLYURETHANE (PUR)	BLACK
2	CONTACT SOCKET	COPPER ALLOY	GOLD OVER NICKEL
3	SHELL	BRASS	NICKEL PLATED
4	LOCKNUT	BRASS	NICKEL PLATED
5	O-RING	FPM	RED
6	O-RING	VITON	BLACK
7	COPPER STRANDING AWG24/0.25mm <sup>2</sup>	JACKET: PVC	

DESCRIPTION EC NO.: WEU2010-0338 DRWN: REISSNER 2010/02/15 CH'KD: RE APPR: FPACHER 2010/02/24 REV 1	QUALITY SYMBOLS ▽ = 0 ∇ = 0	GENERAL TOLERANCES (UNLESS SPECIFIED) mm INCH 4 PLACES ±--- ±--- 3 PLACES ±--- ±--- 2 PLACES ±--- ±--- 1 PLACE ±0.1 ±--- ANGULAR ± --- °	DIMENSION STYLE MM DRAWN BY DATE REISSNER 2010/02/15 CHECKED BY DATE FP 2010/02/15 APPROVED BY DATE FPACHER 2010/02/19	SCALE 2:1 DESIGN UNITS METRIC THIRD ANGLE PROJECTION	NC-XP-FE-REC-PG7-0.3M-AWG24-PVC BACK MOUNT MOLEX INCORPORATED DOCUMENT NO. SD-120090-026 SHEET NO. 1 OF 1
	DRAFT WHERE APPLICABLE MUST REMAIN WITHIN DIMENSIONS		SEE TABLE	THIS DRAWING CONTAINS INFORMATION THAT IS PROPRIETARY TO MOLEX INCORPORATED AND SHOULD NOT BE USED WITHOUT WRITTEN PERMISSION	