

MATERIAL NUMBER

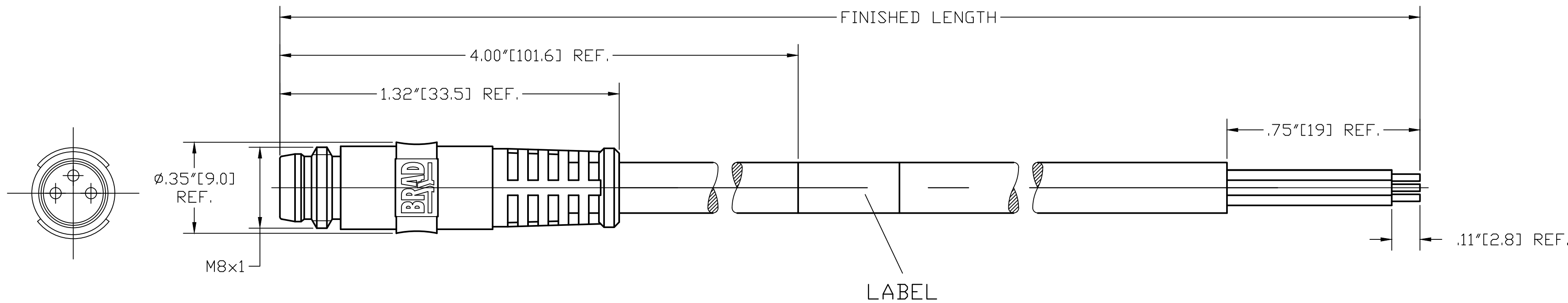
OLD PART NUMBER

FINISHED LENGTH

120088-0112

503006B09M020

6.56' +3.50" -0 [2.0M +88.9mm -0]

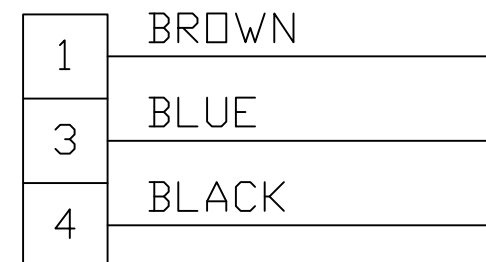


503006B09M020

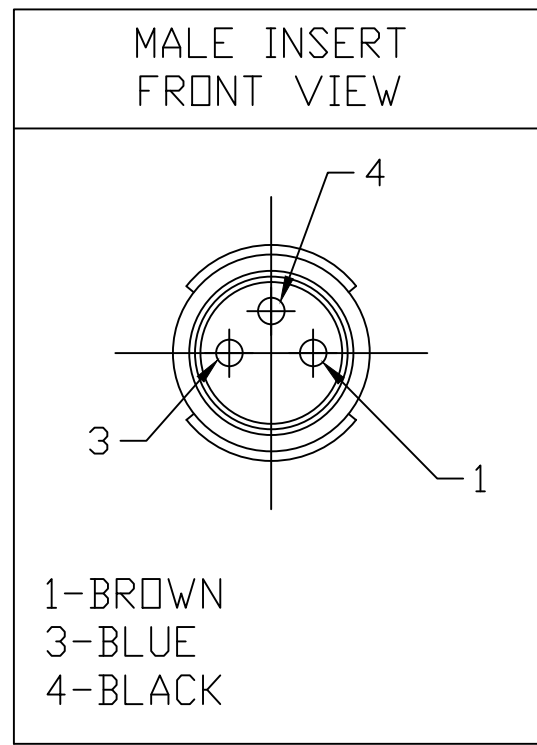
Wire type
3x .25mm²
Yellow PUR

cable length
M020----2 Meter
M100----10 Meter

CONTACT:	GOLD/NICKEL OVER COPPER ALLOY
INSERT:	PUR, BLACK
MOLDED BODY:	RITFLEX, YELLOW
VOLTAGE RATING:	60 VAC/75 VDC
AMPERAGE RATING:	3 AMPS
PROTECTION:	IP67
OPERATING TEMPERATURE:	-20°C TO 80°C



WIRING DIAGRAM



INITIAL RELEASE EC NO: IPG2014-0063 DRWN: EBRACKEN 2013/06/27 CH'KD: RSTONE APPR: BWOODMAN2013/08/16	DESCRIPTION REV	QUALITY SYMBOL	GENERAL TOLERANCES (UNLESS SPECIFIED) mm INCH 4 PLACES ±--- ±--- 3 PLACES ±--- ±.005 2 PLACES ±0.13 ±.010 1 PLACE ±0.25 ±.020 ANGULAR ±.5° DRAFT WHERE APPLICABLE MUST REMAIN WITHIN DIMENSIONS	DIMENSION STYLE	SCALE	DESIGN UNITS	THIRD ANGLE PROJECTION NANO-CHANGE ASSEMBLY 3 POLE MM 90D SNAP #24-3 PUR YELLOW MOLEX INCORPORATED SD-120088-024 SHEET NO. 1 OF 1
		IN/MM		---	INCH		
		DRAWN BY DATE EBRACKEN 2013/06/18 CHECKED BY DATE RSTONE APPROVED BY DATE BWOODMAN 2013/08/16		TITLE			
		MATERIAL NO. SEE CHART SIZE C		DOCUMENT NO. MOLEX SD-120088-024			