

9 8 7 6 5 4 3 2 1

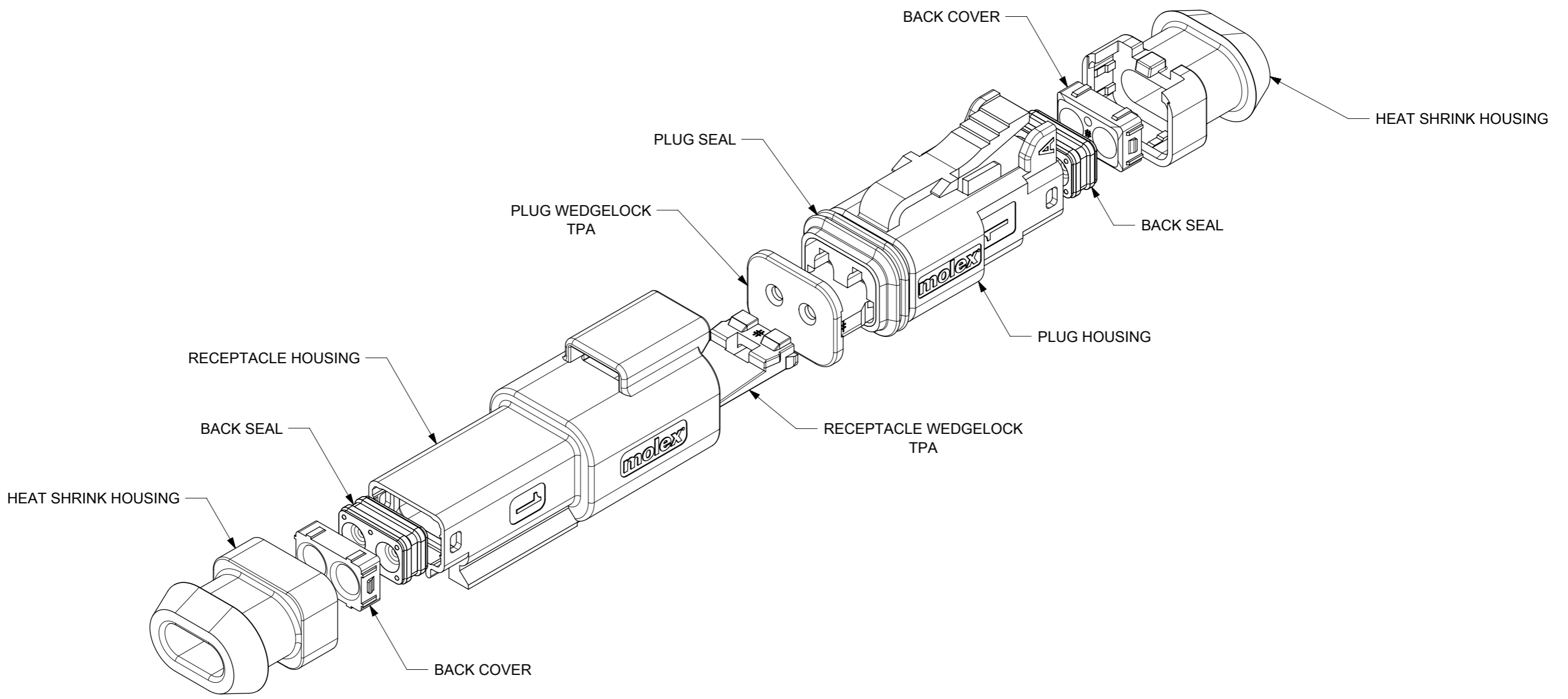
E

D

C

B

A



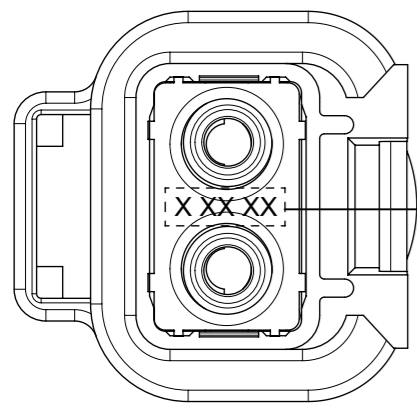
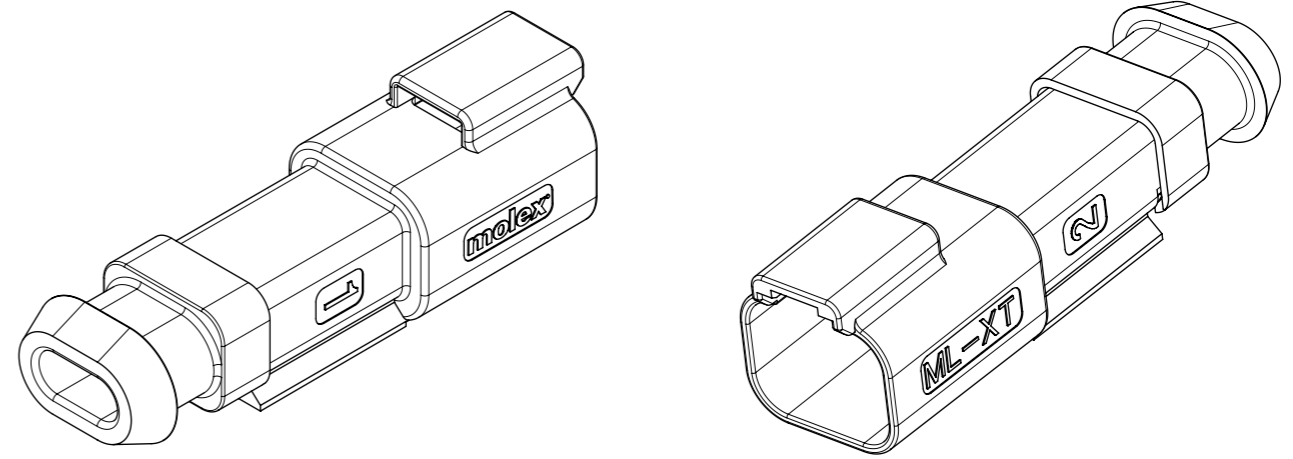
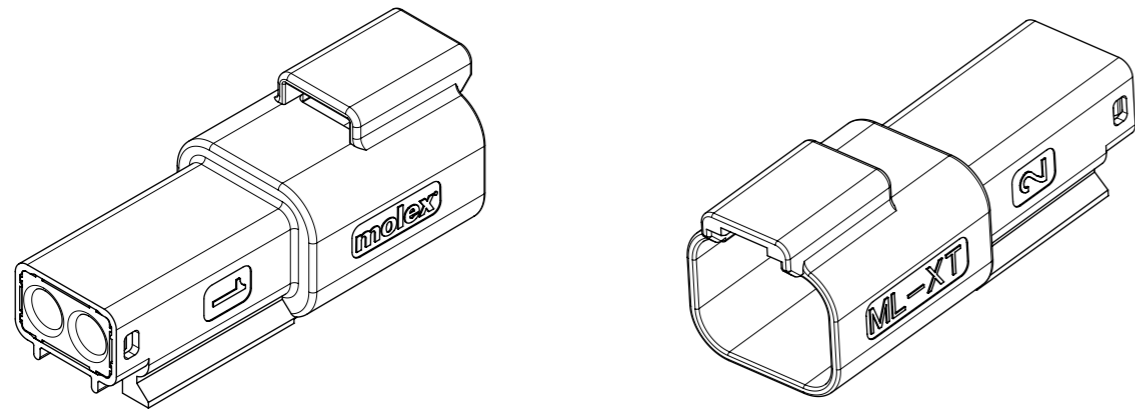
NOTES
 1. SEE SHEETS 2 TO 7 FOR UNSPECIFIED NOTES, DIMENSIONS AND PART NUMBERS

THIS DRAWING CONTAINS INFORMATION THAT IS PROPRIETARY TO MOLEX INCORPORATED AND SHOULD NOT BE USED WITHOUT WRITTEN PERMISSION											
SUPERSEDING SD-93443-0010 EC NO: 110489 DRWN: JFLETCHER CHK'D: FDUGGAN APPR: JDWALLACE	2016/11/16 2016/12/16 2017/01/03	QUALITY SYMBOLS	GENERAL TOLERANCES (UNLESS SPECIFIED)		DIMENSION UNITS	SCALE	molex				
		▽ = 0	ANGULAR TOL ± 2.0 °		MM	2:1					
		▽ = 0	4 PLACES ±	DRWN BY	DATE	2CCT ML-XT CV CONNECTOR					
		▽ = 0	3 PLACES ±	KREILLY	2015/06/12						
		▽ = 0	2 PLACES ± 0.1	CHK'D BY	DATE	PRODUCT CUSTOMER DRAWING					
▽ = 0	1 PLACE ± 0.2	FDUGGAN	2015/09/14								
▽ = 0	0 PLACES ±	APPR BY	DATE	SERIES	MATERIAL NUMBER	CUSTOMER	93443 SEE NOTES GENERAL MARKET				
☒ = 0	DRAFT WHERE APPLICABLE MUST REMAIN WITHIN DIMENSIONS	JDWALLACE	2015/09/15	93443	SEE NOTES	GENERAL MARKET					
■ = 0		DRAWING SIZE	THIRD ANGLE PROJECTION	DOCUMENT NUMBER			DOC TYPE	DOC PART	SHEET NUMBER		
▽ = 0		A3	THIRD ANGLE PROJECTION	934430010			PSD	000	1 OF 9		

9 8 7 6 5 4 3 2 1

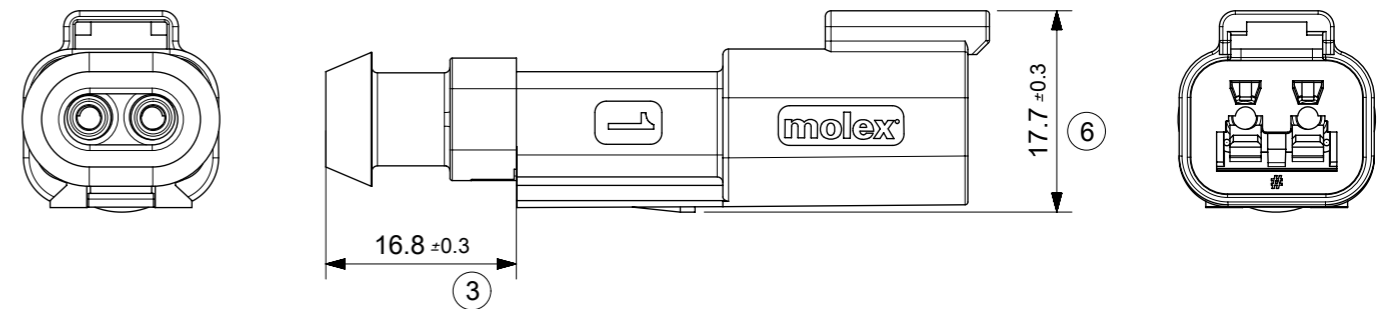
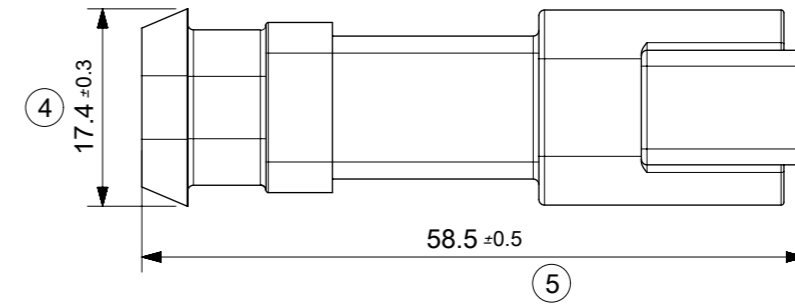
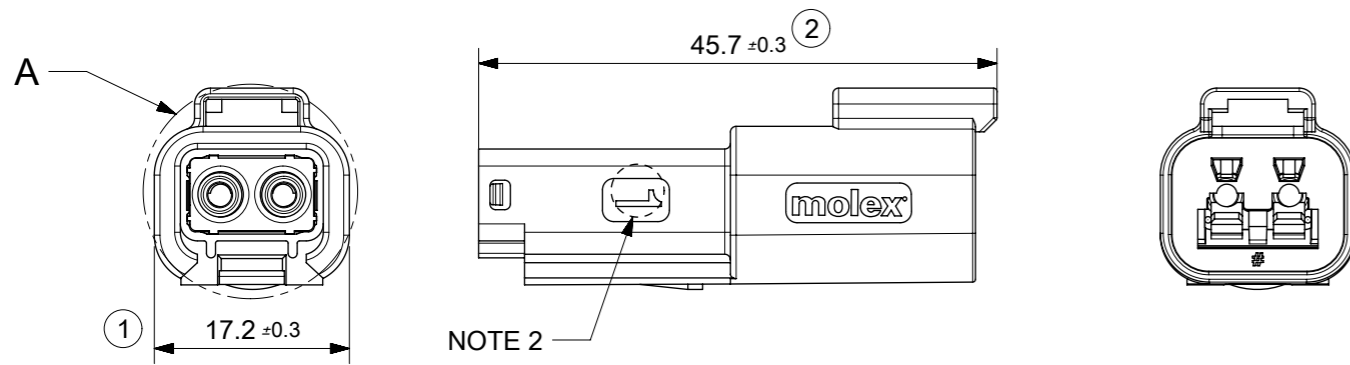
2CCT RECEPTACLE CONNECTOR

2CCT RECEPTACLE CONNECTOR WITH HEATSHRINK HOUSING ULTRASONICALLY WELDED IN PLACE



DATE CODE: X XX XX
 X — DAY: 1- 7
 X — WEEK: 01 - 52
 X — YEAR: 00 - 99
 # — MACHINE NO. 1
 EXAMPLE: 11315 = DAY 1, WEEK 13, YEAR 15
 i.e. 23rd OF MARCH 2015

(ROTATED 90°)
 DETAIL A
 SCALE 3:1

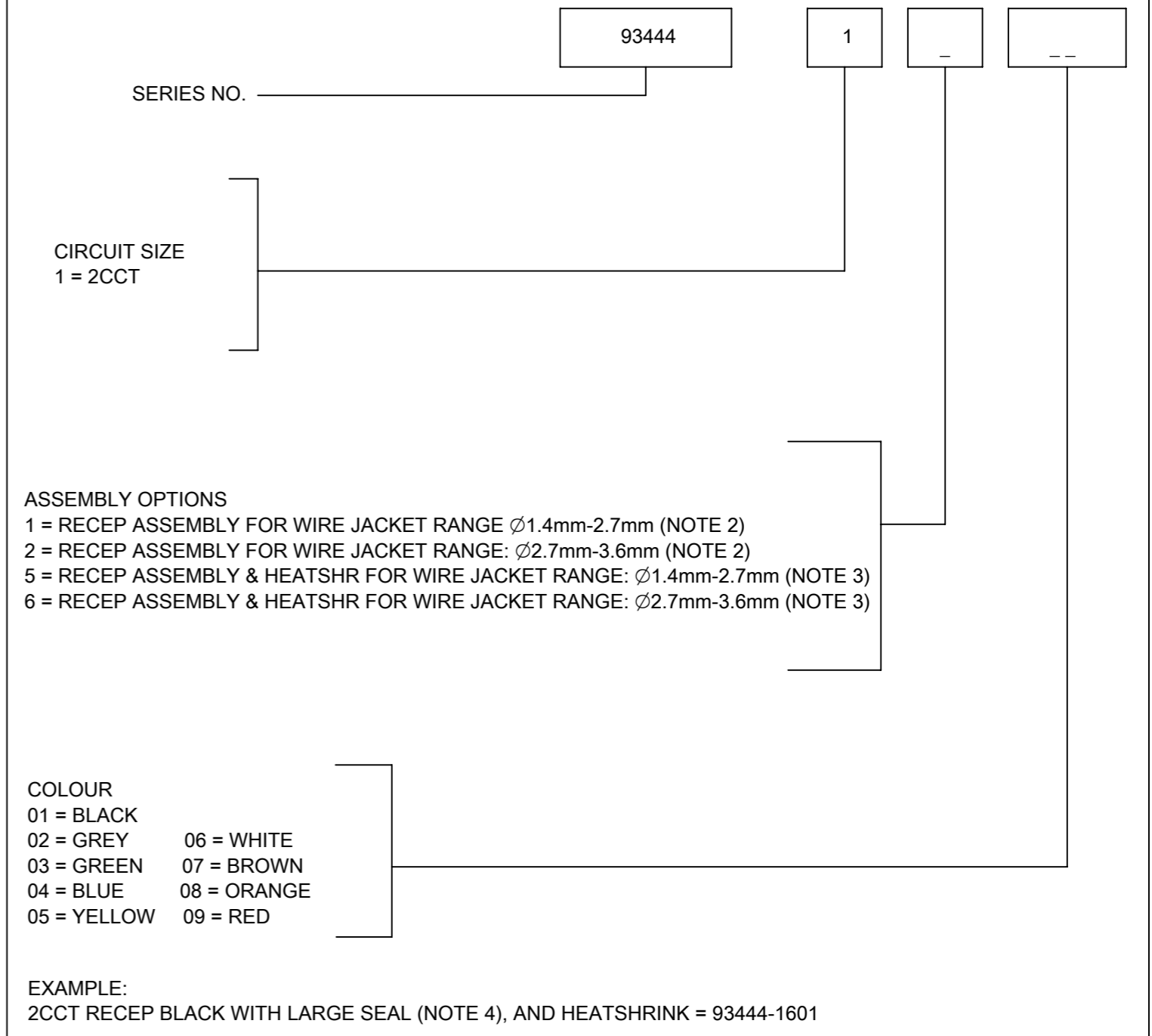


- NOTES:
- MATERIAL
 HOUSING: NYLON 30%GF
 BACK SEAL: HIGH CONSISTENCY RUBBER
 - CIRCUIT IDENTIFICATION
 - JACKET RANGE LARGE = 2.7mm TO 3.6mm (SEAL COLOUR: LIGHT BLUE)
 JACKET RANGE SMALL = 1.4mm TO 2.7mm (SEAL COLOUR: BURNT ORANGE)
 - SEE SHEET 3 FOR FINAL PART NUMBER DESIGNATION
 - SEE 934430010 PS P FOR PRODUCT SPECIFICATION
 - SEE 934430002 PS K OR 934430010 PS K FOR PACKAGING SPECIFICATION
- LAST INSPECTION NUMBER: 6
 INSPECTION NUMBERS 1-50 RESERVED FOR SHEET 2

THIS DRAWING CONTAINS INFORMATION THAT IS PROPRIETARY TO MOLEX INCORPORATED AND SHOULD NOT BE USED WITHOUT WRITTEN PERMISSION

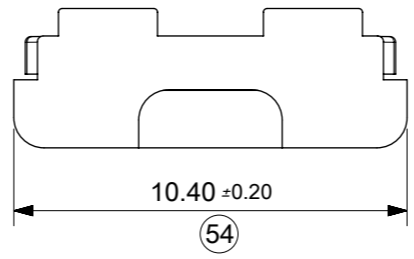
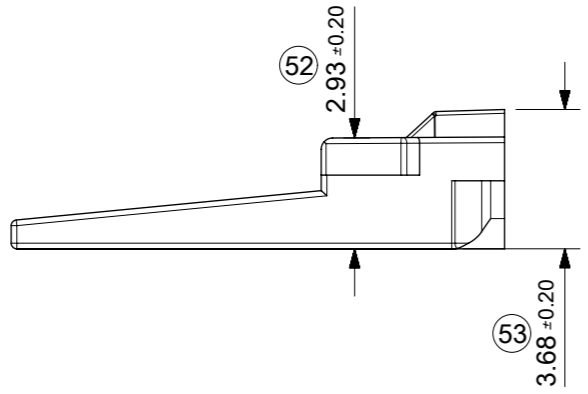
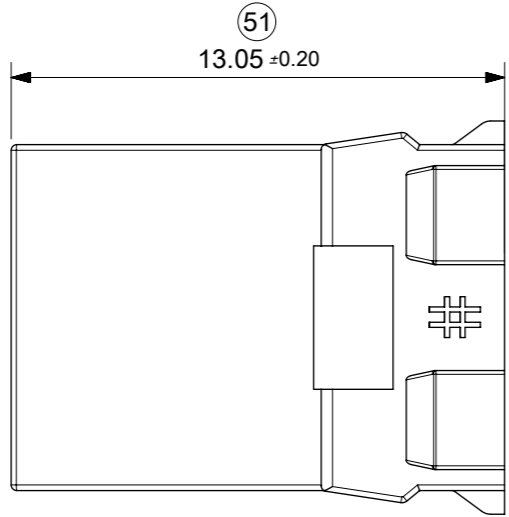
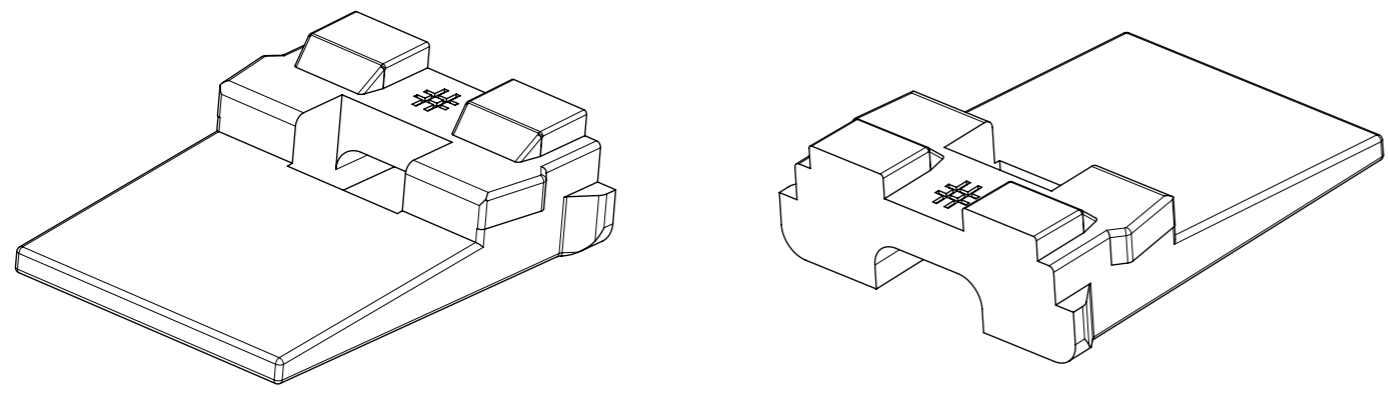
SUPERSEDING SD-93443-0010 EC NO: 110489 DRWN: JFLETCHER CHK'D: FDUGGAN APPR: JDWALLACE	2016/11/16 2016/12/16 2017/01/03	QUALITY SYMBOLS ▽ = 0 ▽ = 0 ▽ = 0 ▼ = 0 ▽ = 0 ☒ = 0 ■ = 0 ▽ = 0	GENERAL TOLERANCES (UNLESS SPECIFIED) ANGULAR TOL ± 2.0 ° 4 PLACES ± 3 PLACES ± 2 PLACES ± 0.1 1 PLACE ± 0.2 0 PLACES ±	DIMENSION UNITS MM	SCALE 1.5:1					
	DRWN BY KREILLY		DATE 2015/06/12		2CCT ML-XT CV CONNECTOR					
	CHK'D BY FDUGGAN		DATE 2015/09/14						PRODUCT CUSTOMER DRAWING	
	APPR BY JDWALLACE		DATE 2015/09/15		SERIES 93443	MATERIAL NUMBER SEE SHEET 3	CUSTOMER GENERAL MARKET			
A3	REV	DRAFT WHERE APPLICABLE MUST REMAIN WITHIN DIMENSIONS		DRAWING SIZE A3	THIRD ANGLE PROJECTION		DOCUMENT NUMBER 934430010	DOC TYPE PSD	DOC PART 000	SHEET NUMBER 2 OF 9

2CCT RECEPTACLE CONNECTOR



- Notes:
- SEE SHEET 2 FOR UNSPECIFIED NOTES AND DIMENSIONS
 - BACK COVER HOUSING COLOUR: BLACK
 - HEATSHRINK HOUSING COLOUR: BLACK
 - JACKET RANGE LARGE = 2.7mm TO 3.6mm (SEAL COLOUR: LIGHT BLUE)
 JACKET RANGE SMALL = 1.4mm TO 2.7mm (SEAL COLOUR: BURNT ORANGE)

THIS DRAWING CONTAINS INFORMATION THAT IS PROPRIETARY TO MOLEX INCORPORATED AND SHOULD NOT BE USED WITHOUT WRITTEN PERMISSION											
SUPERSEDING SD-93443-0010 EC NO: 110489 DRWN: JFLETCHER CHK'D: FDUGGAN APPR: JDWALLACE	2016/11/16	2016/12/16	2017/01/03	QUALITY SYMBOLS	GENERAL TOLERANCES (UNLESS SPECIFIED)		DIMENSION UNITS		SCALE		molex
	0	0	0	ANGULAR TOL ± 2.0 °	MM		2:1		2CCT ML-XT CV CONNECTOR		
	0	0	0	4 PLACES ±	DRWN BY		DATE				
	0	0	0	3 PLACES ±	KREILLY		2015/06/12				
0	0	0	2 PLACES ± 0.1	CHK'D BY		DATE		PRODUCT CUSTOMER DRAWING			
0	0	0	1 PLACE ± 0.2	FDUGGAN		2015/09/14					
0	0	0	0 PLACES ±	APPR BY		DATE		SEE CHART			
0	0	0	DRAFT WHERE APPLICABLE MUST REMAIN WITHIN DIMENSIONS	JDWALLACE		2015/09/15					
A3	REV			DRAWING SIZE		THIRD ANGLE PROJECTION		GENERAL MARKET		DOCUMENT NUMBER 934430010	
				A3				DOC TYPE PSD			
										SHEET NUMBER 3 OF 9	



2CCT RECEP. WEDGELOCK

SERIES NO. 93447 1 0 --

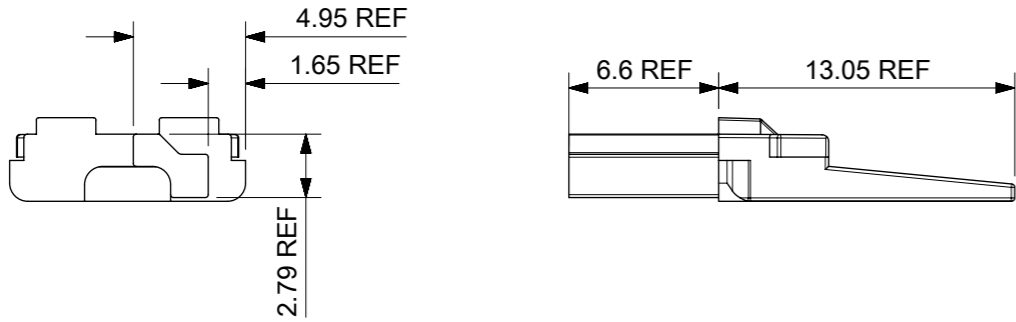
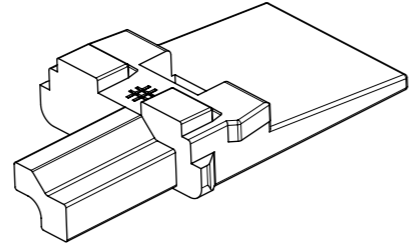
CIRCUIT SIZE 1 = 2CCT

COLOUR/KEYING
 03 = GREEN (NO KEY)
 12 = GREY A KEY
 21 = BLACK B KEY
 33 = GREEN C KEY
 47 = BROWN D KEY

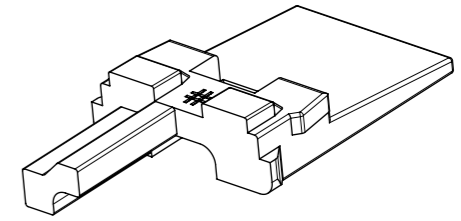
NOTES
 1. MATERIAL
 HOUSING: NYLON 30%GF
 2. INSPECTION NUMBERS 51-100
 RESERVED FOR SHEET 4
 3. PART NUMBER 934471003 SHOWN
 LAST INSPECTION NUMBER 54

THIS DRAWING CONTAINS INFORMATION THAT IS PROPRIETARY TO MOLEX INCORPORATED AND SHOULD NOT BE USED WITHOUT WRITTEN PERMISSION											
SUPERSEDING SD-93443-0010 EC NO: 110489 DRWN: JFLETCHER CHK'D: FDUGGAN APPR: JDWALLACE	2016/11/16 2016/12/16 2017/01/03	QUALITY SYMBOLS	GENERAL TOLERANCES (UNLESS SPECIFIED)	DIMENSION UNITS	SCALE						
		▽ = 0 ▽ = 0 ▽ = 0 ▼ = 0 ▽ = 0 ☒ = 0 ■ = 0 ▽ = 0	ANGULAR TOL ± 2.0 ° 4 PLACES ± 3 PLACES ± 2 PLACES ± 0.1 1 PLACE ± 0.2 0 PLACES ± DRAFT WHERE APPLICABLE MUST REMAIN WITHIN DIMENSIONS	MM	5:1						
		DRWN BY	DATE	2CCT ML-XT CV CONNECTOR							
		KREILLY	2015/06/12								
		CHK'D BY	DATE	PRODUCT CUSTOMER DRAWING							
FDUGGAN	2015/09/14										
APPR BY	DATE	SERIES MATERIAL NUMBER CUSTOMER 93443 SEE CHART GENERAL MARKET									
JDWALLACE	2015/09/15										
DRAWING SIZE	THIRD ANGLE PROJECTION	DOCUMENT NUMBER DOC TYPE DOC PART SHEET NUMBER 934430010 PSD 000 4 OF 9									
A3											

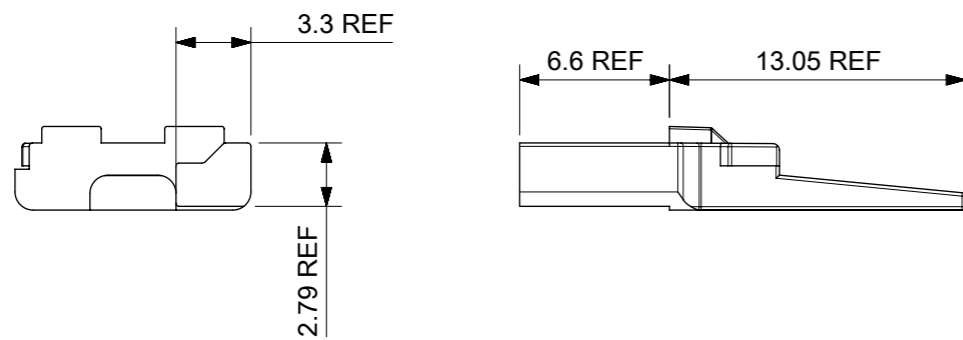
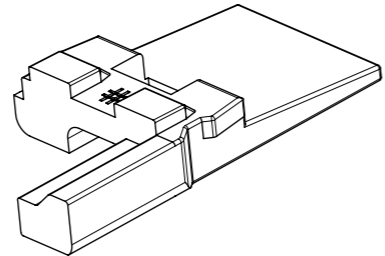
934471012 (KEY A)
COLOUR GREY



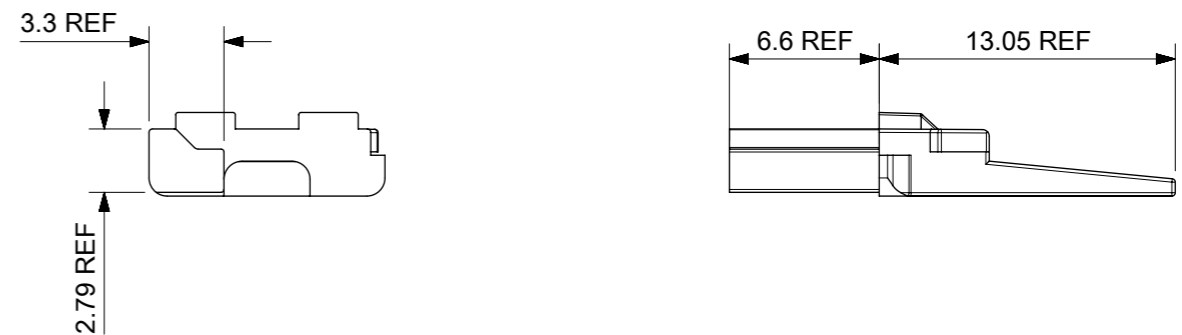
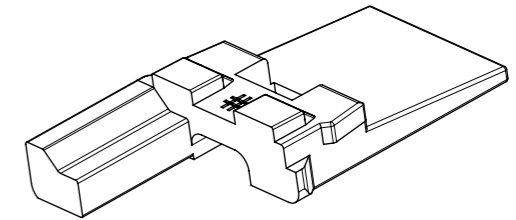
934471021 (KEY B)
COLOUR BLACK



934471033 (KEY C)
COLOUR GREEN



934471047 (KEY D)
COLOUR BROWN



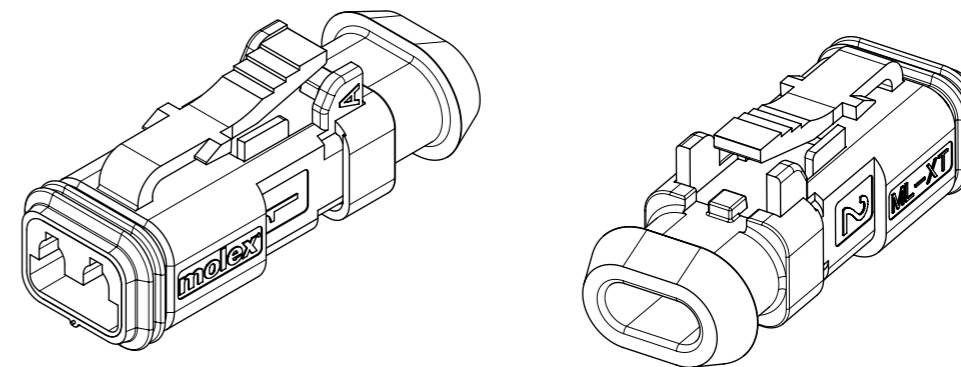
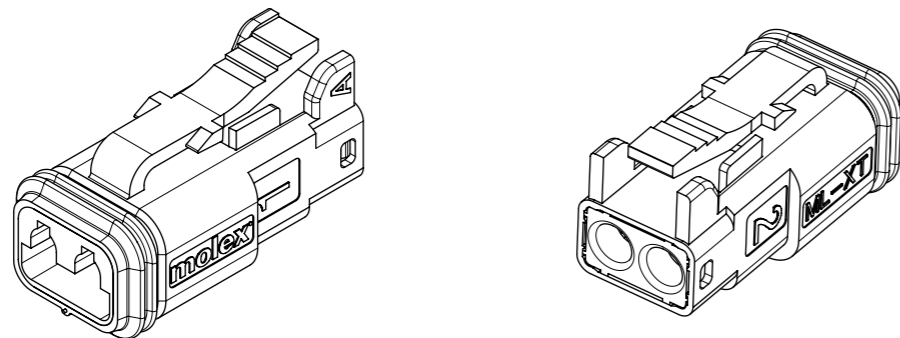
NOTES:
1. MATERIAL PA66 30%GF
2. SEE SHEET 4 FOR UNSPECIFIED NOTES & DIMENSIONS

THIS DRAWING CONTAINS INFORMATION THAT IS PROPRIETARY TO MOLEX INCORPORATED AND SHOULD NOT BE USED WITHOUT WRITTEN PERMISSION

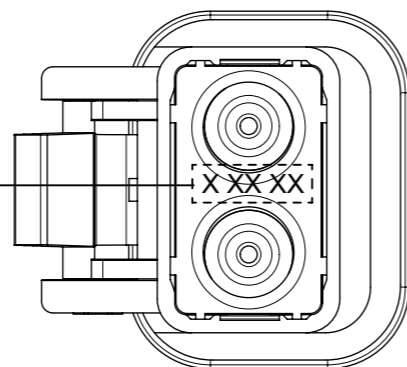
SUPERSEDING SD-93443-0010 EC NO: 110489 DRWN: JFLETCHER CHK'D: FDUGGAN APPR: JDWALLACE	2016/11/16	2016/12/16	2017/01/03	QUALITY SYMBOLS □ = 0 ▽ = 0 ▽ = 0 ▽ = 0 ▽ = 0 ▽ = 0 ▽ = 0 ▽ = 0 ▽ = 0 ▽ = 0	GENERAL TOLERANCES (UNLESS SPECIFIED) ANGULAR TOL ± 2.0 ° 4 PLACES ± 3 PLACES ± 2 PLACES ± 0.1 1 PLACE ± 0.2 0 PLACES ± DRAFT WHERE APPLICABLE MUST REMAIN WITHIN DIMENSIONS	DIMENSION UNITS	SCALE			
	MM		3:1							
	DRWN BY	DATE				PRODUCT CUSTOMER DRAWING				
	KREILLY	2015/06/12								
CHK'D BY	DATE		SERIES	MATERIAL NUMBER	CUSTOMER					
FDUGGAN	2015/09/14		93443		GENERAL MARKET					
APPR BY	DATE		DOCUMENT NUMBER	DOC TYPE	DOC PART	SHEET NUMBER				
JDWALLACE	2015/09/15		934430010	PSD	000	5 OF 9				
DRAWING SIZE	THIRD ANGLE PROJECTION									
A3										

2CCT PLUG CONNECTOR

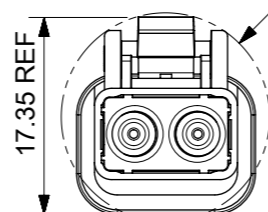
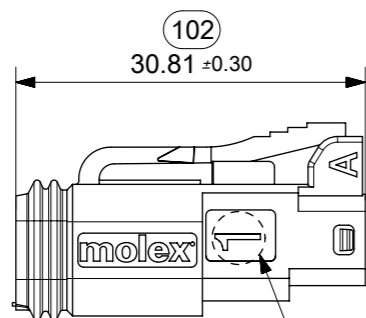
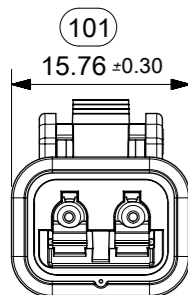
2CCT PLUG CONNECTOR WITH HEATSHRINK HOUSING ULTRA SONICALLY WELDED IN PLACE



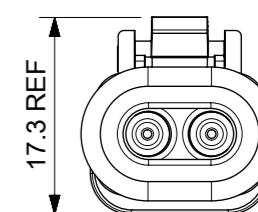
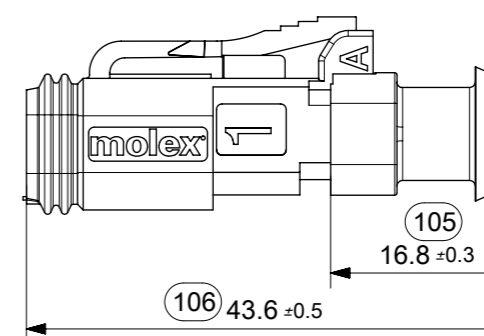
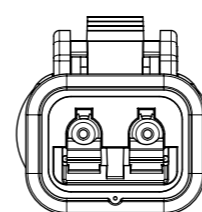
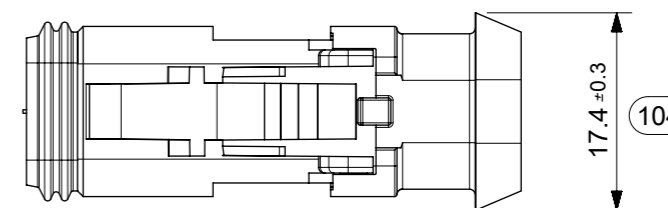
DATE CODE: X XX XX
 X — DAY: 1 - 7
 X — WEEK: 01 - 52
 X — YEAR: 00 - 99
 # — MACHINE NO. 1
 EXAMPLE: 11315 = DAY 1, WEEK 13, YEAR 15
 i.e. 23RD OF MARCH 2015



(ROTATED 90°)
 DETAIL B
 SCALE 3:1



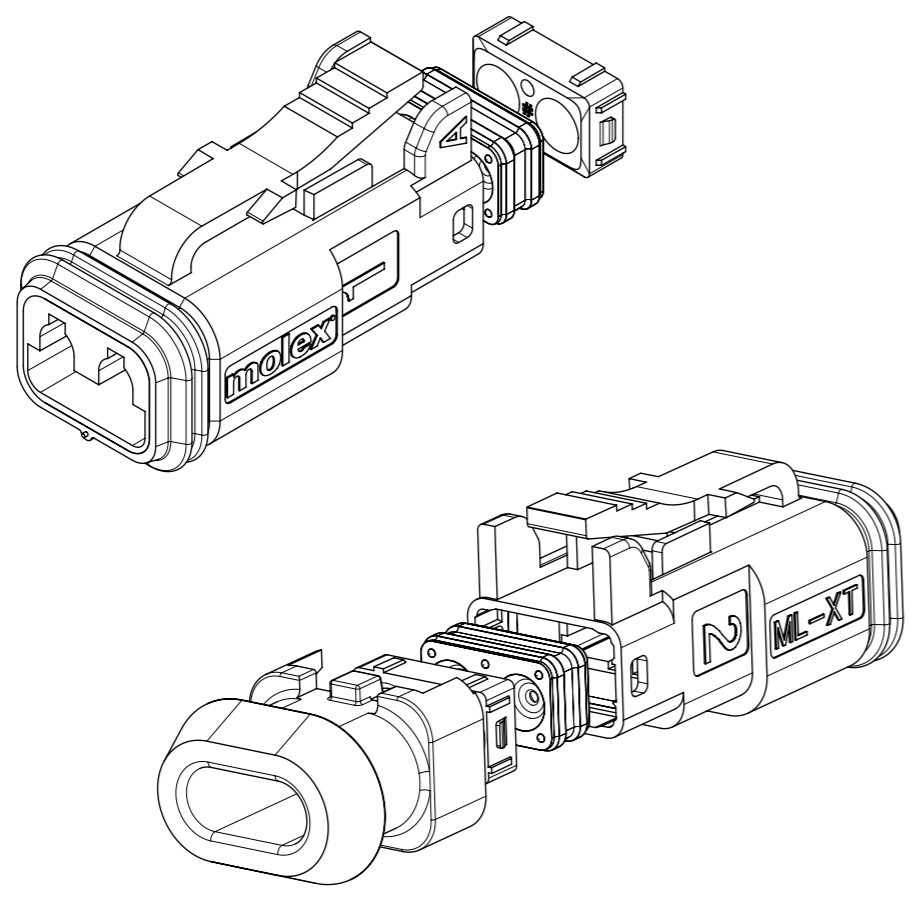
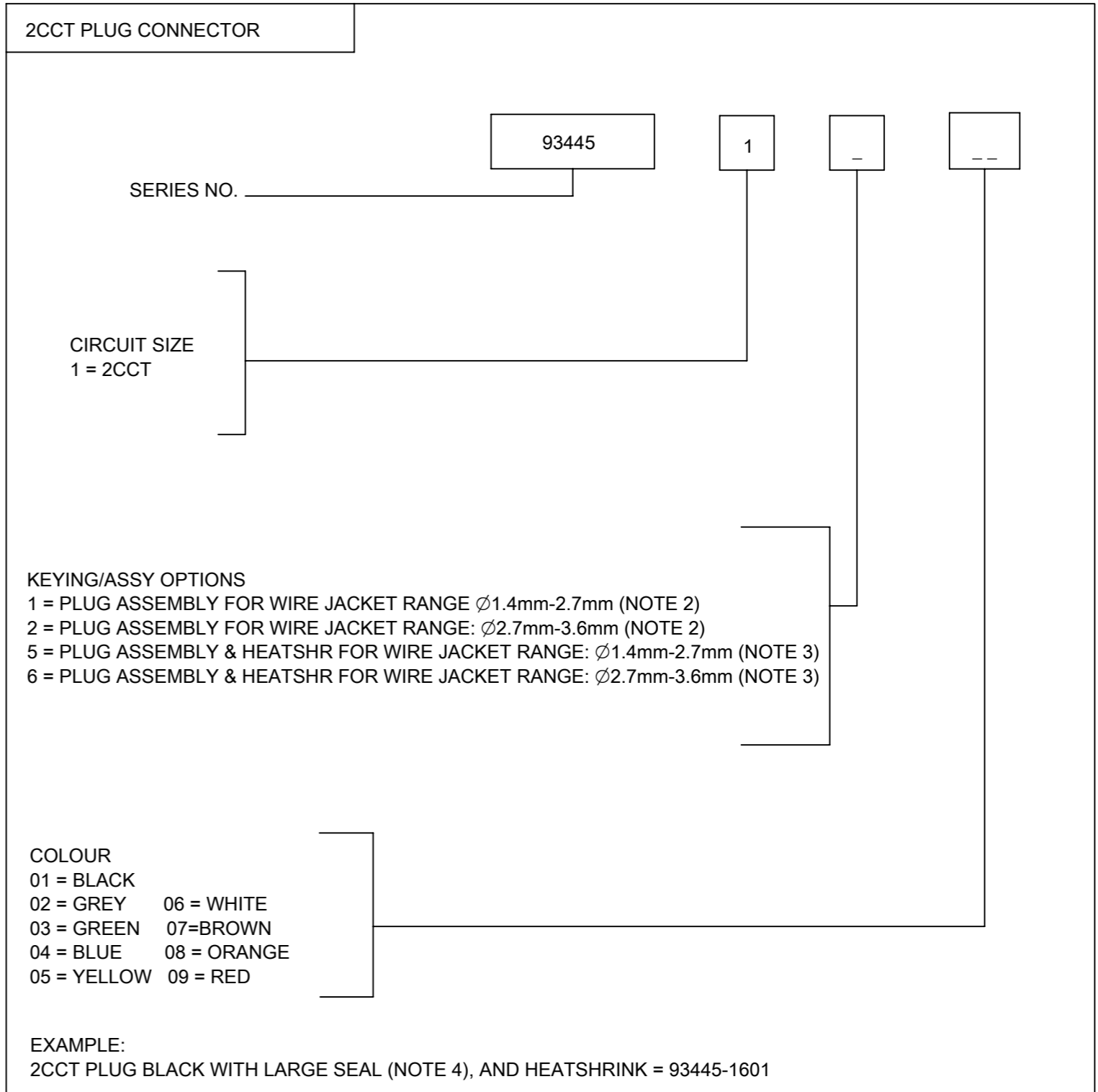
NOTE 2



- NOTES
- MATERIAL
 HOUSING: NYLON 30%GF
 PLUG SEAL: SILICONE RUBBER
 BACK SEAL: HIGH CONSISTENCY RUBBER
 - CIRCUIT IDENTIFICATION
 - JACKET RANGE LARGE = 2.7mm TO 3.6mm (SEAL COLOUR: LIGHT BLUE)
 JACKET RANGE SMALL = 1.4mm TO 2.7mm (SEAL COLOUR: BURNT ORANGE)
 - SEE SHEET 7 FOR FINAL PART NUMBER DESIGNATION
 - INSPECTION NUMBERS 101-150 RESERVED FOR SHEET 6
 LAST INSPECTION NUMBER 106.
 INSPECTION NUMBERS 103 & 107 DELETED.

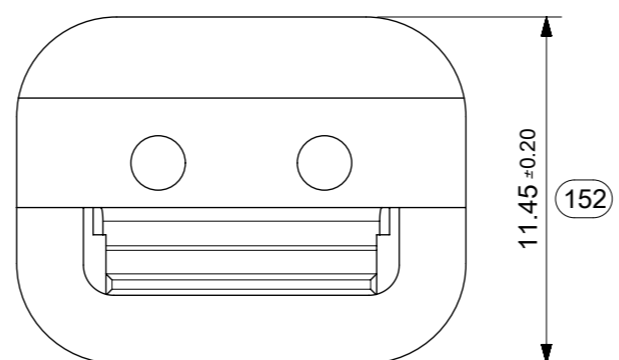
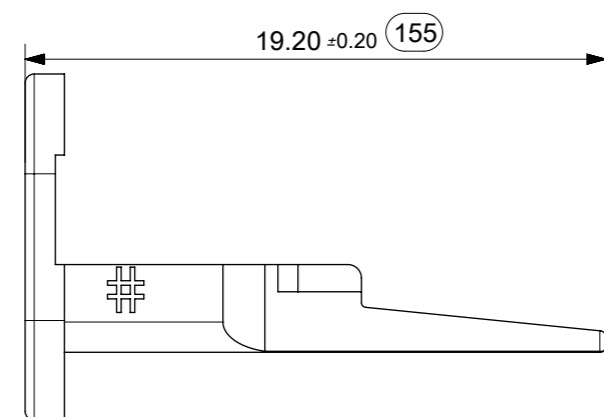
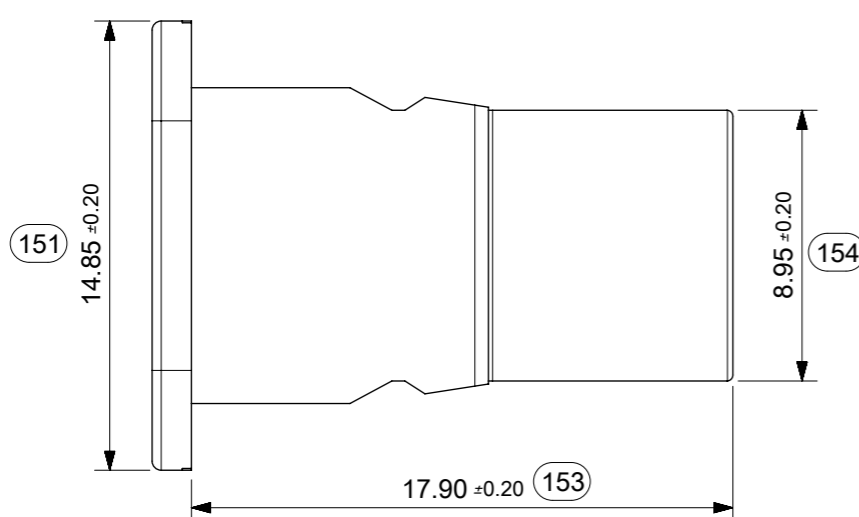
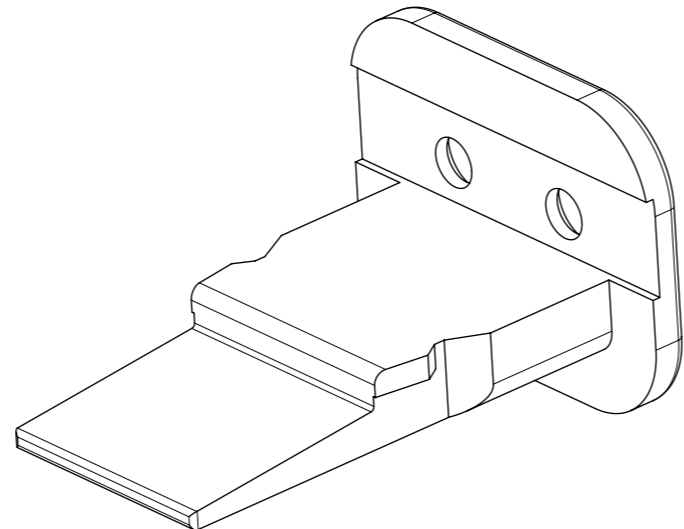
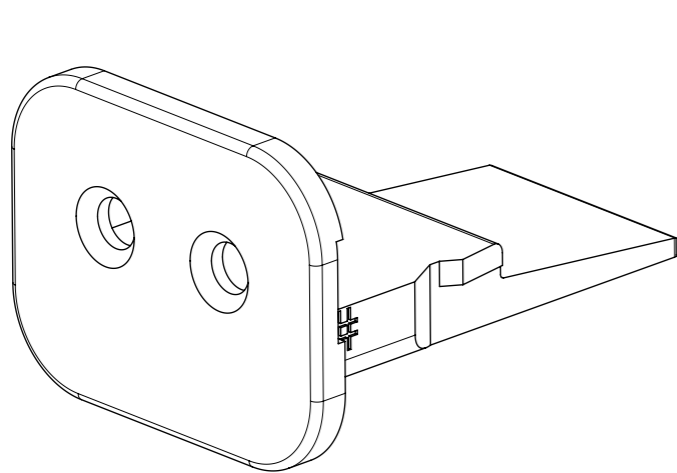
THIS DRAWING CONTAINS INFORMATION THAT IS PROPRIETARY TO MOLEX INCORPORATED AND SHOULD NOT BE USED WITHOUT WRITTEN PERMISSION

SUPERSEDING SD-93443-0010 EC NO: 110489 DRWN: JFLETCHER CHK'D: FDUGGAN APPR: JDWALLACE	2016/11/16 2016/12/16 2017/01/03	QUALITY SYMBOLS ▽ = 0 ▽ = 0 ▽ = 0 ▼ = 0 ▽ = 0 ☒ = 0 ■ = 0 ▽ = 0	GENERAL TOLERANCES (UNLESS SPECIFIED) ANGULAR TOL ± 2.0 ° 4 PLACES ± 3 PLACES ± 2 PLACES ± 0.1 1 PLACE ± 0.2 0 PLACES ± DRAFT WHERE APPLICABLE MUST REMAIN WITHIN DIMENSIONS	DIMENSION UNITS MM SCALE 1.5:1	DRWN BY KREILLY DATE 2015/06/12		2CCT ML-XT CV CONNECTOR		
	CHK'D BY FDUGGAN DATE 2015/09/14	APPR BY JDWALLACE DATE 2015/09/15	PRODUCT CUSTOMER DRAWING						
	DRAWING SIZE A3	THIRD ANGLE PROJECTION	SERIES 93443	MATERIAL NUMBER SEE SHEET 7	CUSTOMER GENERAL MARKET				
	DOCUMENT NUMBER 934430010	DOC TYPE PSD	DOC PART 000	SHEET NUMBER 6 OF 9					



- Notes:
- SEE SHEET 2 FOR UNSPECIFIED NOTES AND DIMENSIONS
 - BACK COVER HOUSING COLOUR: BLACK
 - HEATSHRINK HOUSING COLOUR: BLACK
 - JACKET RANGE LARGE = 2.7mm TO 3.6mm (SEAL COLOUR: LIGHT BLUE)
JACKET RANGE SMALL = 1.4mm TO 2.7mm (SEAL COLOUR: BURNT ORANGE)

THIS DRAWING CONTAINS INFORMATION THAT IS PROPRIETARY TO MOLEX INCORPORATED AND SHOULD NOT BE USED WITHOUT WRITTEN PERMISSION											
SUPERSEDING SD-93443-0010	EC NO: 110489	DRWN: JFLETCHER	2016/11/16	QUALITY SYMBOLS	GENERAL TOLERANCES (UNLESS SPECIFIED)		DIMENSION UNITS	SCALE	molex		
	CHK'D: FDUGGAN	2016/12/16	2017/01/03	▽ = 0	ANGULAR TOL ± 2.0 °		MM	2:1			
	APP'R: JDWALLACE			▽ = 0	4 PLACES ±	DRWN BY	DATE	2CCT ML-XT CV CONNECTOR			
				▽ = 0	3 PLACES ±	CHK'D BY	DATE	PRODUCT CUSTOMER DRAWING			
				▽ = 0	2 PLACES ± 0.1	FDUGGAN	2015/09/14	SERIES MATERIAL NUMBER CUSTOMER			
			▽ = 0	1 PLACE ± 0.2	APP'R BY	DATE	93443 SEE CHART GENERAL MARKET				
			▽ = 0	0 PLACES ±	JDWALLACE	2015/09/15	DOCUMENT NUMBER DOC TYPE DOC PART SHEET NUMBER				
			▽ = 0	□ = 0	DRAFT WHERE APPLICABLE MUST REMAIN WITHIN DIMENSIONS		DRAWING SIZE	THIRD ANGLE PROJECTION	934430010 PSD 000 7 OF 9		
			▽ = 0	■ = 0			A3				



2CCT PLUG WEDGELOCK

SERIES NO. 93448 1 0 --

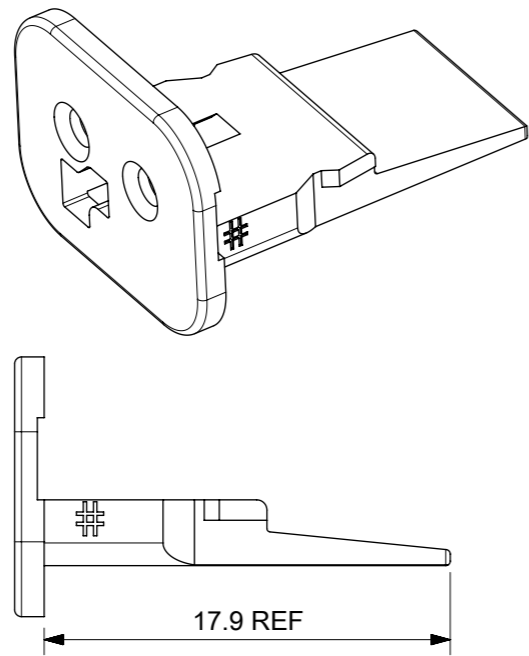
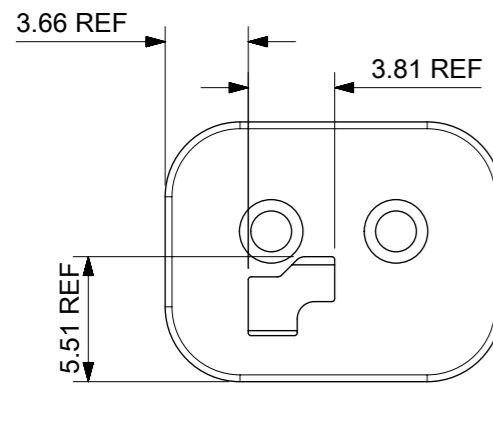
CIRCUIT SIZE
1 = 2CCT

COLOUR/KEYING
03 = GREEN (NO KEY)
12 = GREY A KEY
21 = BLACK B KEY
33 = GREEN C KEY
47 = BROWN D KEY

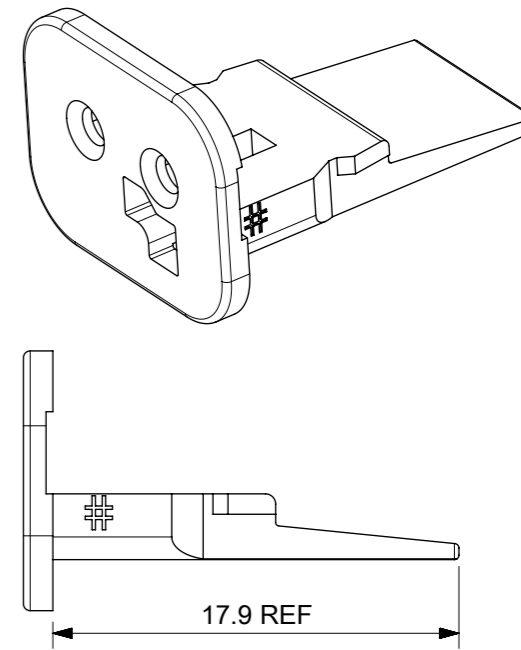
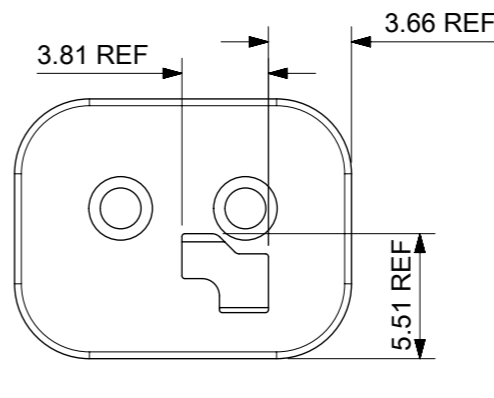
NOTES
 1. MATERIAL
 HOUSING: NYLON 30%GF
 2. INSPECTION NUMBERS 151-200 RESERVED FOR SHEET 8
 3. PART NUMBER 934481003 SHOWN
 LAST INSPECTION NUMBER 155

THIS DRAWING CONTAINS INFORMATION THAT IS PROPRIETARY TO MOLEX INCORPORATED AND SHOULD NOT BE USED WITHOUT WRITTEN PERMISSION											
SUPERSEDING SD-93443-0010 EC NO: 110489 DRWN: JFLETCHER 2016/11/16 CHK'D: FDUGGAN 2016/12/16 APPR: JDWALLACE 2017/01/03	QUALITY SYMBOLS ▽ = 0 ▽ = 0 ▽ = 0 ▼ = 0 ▽ = 0 ☒ = 0 ■ = 0 ▽ = 0	GENERAL TOLERANCES (UNLESS SPECIFIED) ANGULAR TOL ± 2.0 ° 4 PLACES ± 3 PLACES ± 2 PLACES ± 0.1 1 PLACE ± 0.2 0 PLACES ±		DIMENSION UNITS MM	SCALE 4:1						
		DRWN BY KREILLY		DATE 2015/06/12							
		CHK'D BY FDUGGAN		DATE 2015/09/14		2CCT ML-XT CV CONNECTOR					
		APPR BY JDWALLACE		DATE 2015/09/15							
A3		DRAFT WHERE APPLICABLE MUST REMAIN WITHIN DIMENSIONS		DRAWING SIZE A3	THIRD ANGLE PROJECTION 	PRODUCT CUSTOMER DRAWING		SERIES 93443	MATERIAL NUMBER SEE CHART	CUSTOMER GENERAL MARKET	
DOCUMENT NUMBER 934430010						DOC TYPE PSD	DOC PART 000	SHEET NUMBER 8 OF 9			

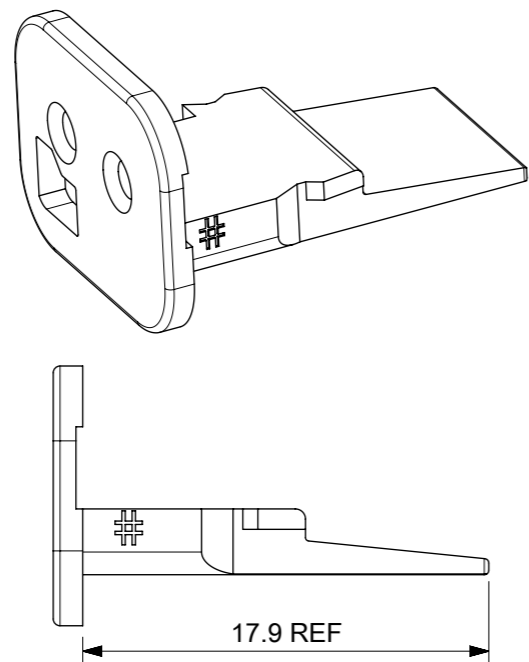
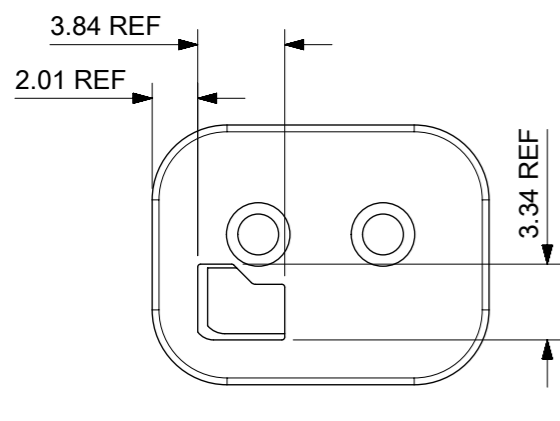
934481012 (KEY A)
COLOUR GREY



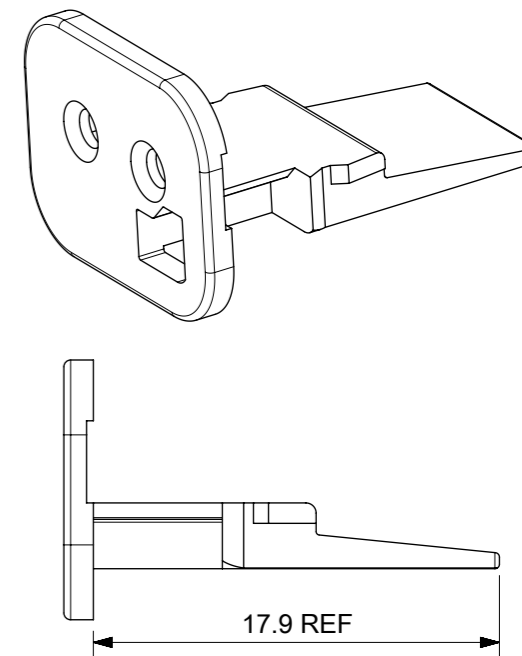
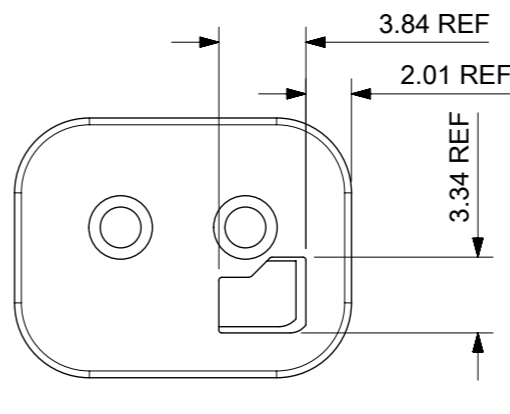
934481021 (KEY B)
COLOUR BLACK



934481033 (KEY C)
COLOUR GREEN



934481047 (KEY D)
COLOUR BROWN



NOTES:
1. MATERIAL PA66 30%GF
2. SEE SHEET 8 FOR UNSPECIFIED NOTES & DIMENSIONS

THIS DRAWING CONTAINS INFORMATION THAT IS PROPRIETARY TO MOLEX INCORPORATED AND SHOULD NOT BE USED WITHOUT WRITTEN PERMISSION

SUPERSEDING SD-93443-0010 EC NO: 110489 DRWN: JFLETCHER CHK'D: FDUGGAN APPR: JDWALLACE	2016/11/16	2016/12/16	2017/01/03	QUALITY SYMBOLS 	GENERAL TOLERANCES (UNLESS SPECIFIED) ANGULAR TOL ± 2.0 ° 4 PLACES ± 3 PLACES ± 2 PLACES ± 0.1 1 PLACE ± 0.2 0 PLACES ± DRAFT WHERE APPLICABLE MUST REMAIN WITHIN DIMENSIONS	DIMENSION UNITS	SCALE	 2CCT ML-XT CV CONNECTOR			
	MM		3:1								
	DRWN BY	DATE				KREILLY			2015/06/12		
	CHK'D BY	DATE				FDUGGAN			2015/09/14		
APPR BY	DATE		JDWALLACE			2015/09/15					
DRAWING SIZE	THIRD ANGLE PROJECTION		A3			SERIES	MATERIAL NUMBER	CUSTOMER			
A3				93443			934430010		GENERAL MARKET		
REV		DOC TYPE		DOC PART		SHEET NUMBER					
A3		PSD		000		9 OF 9					