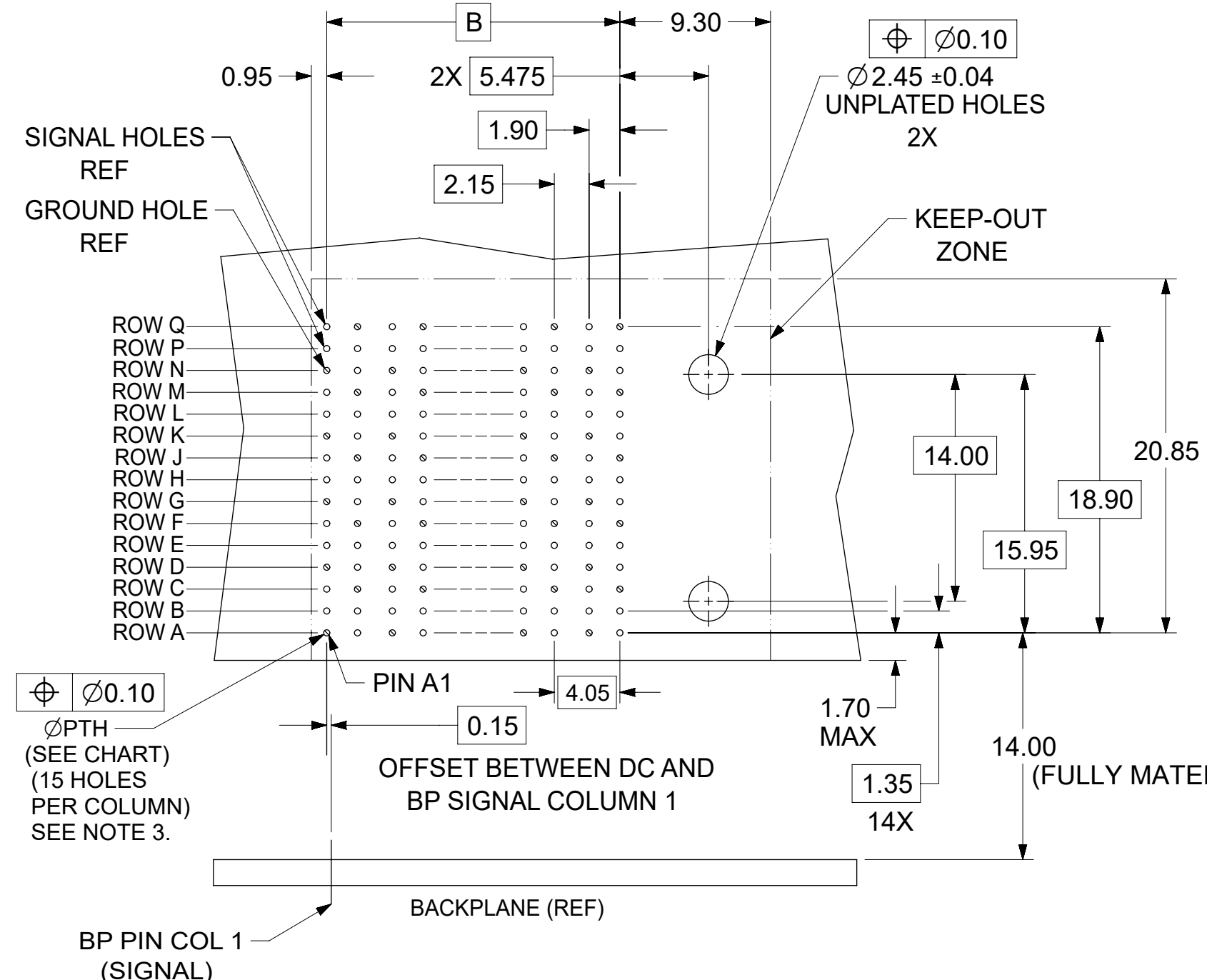
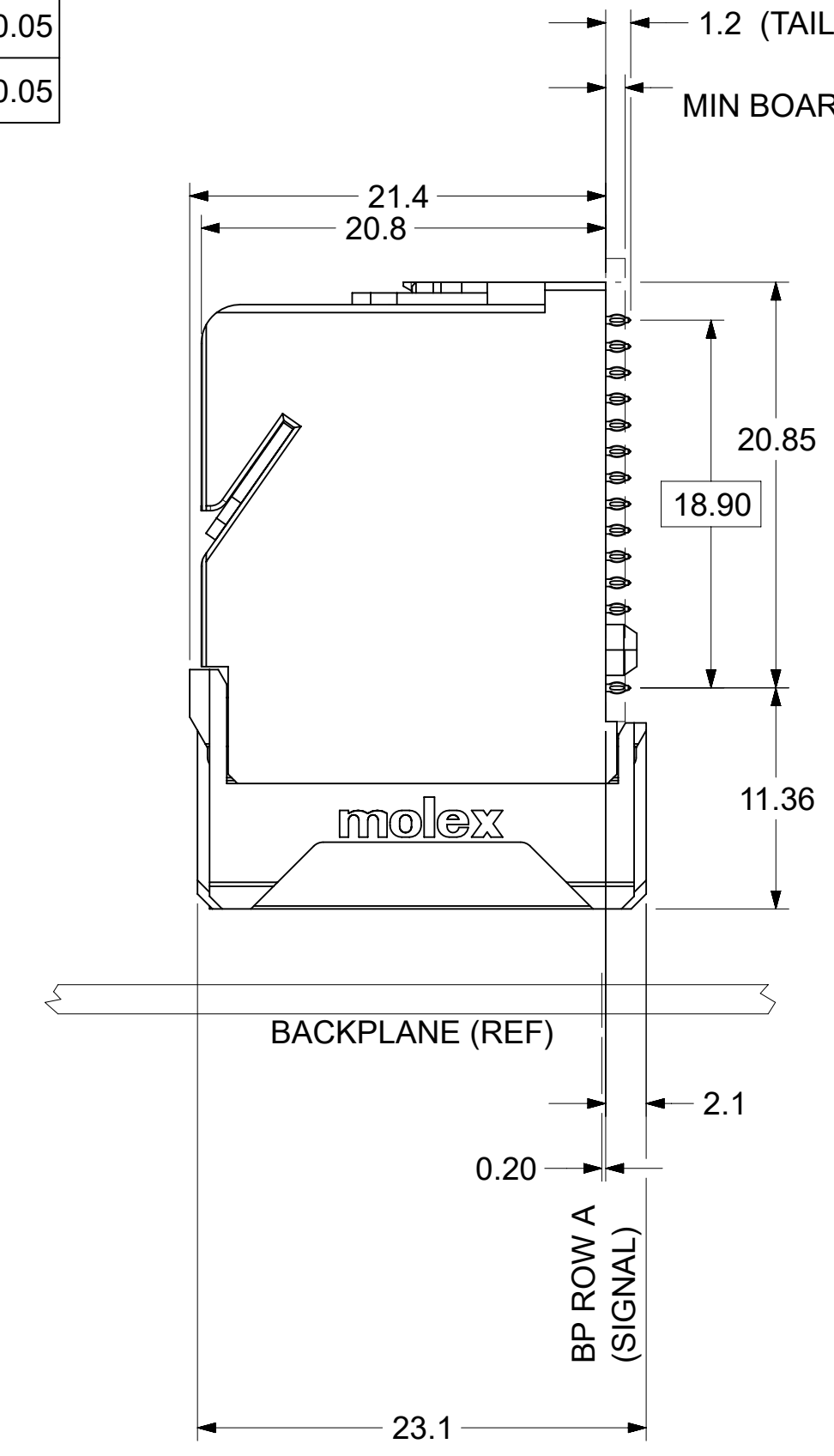
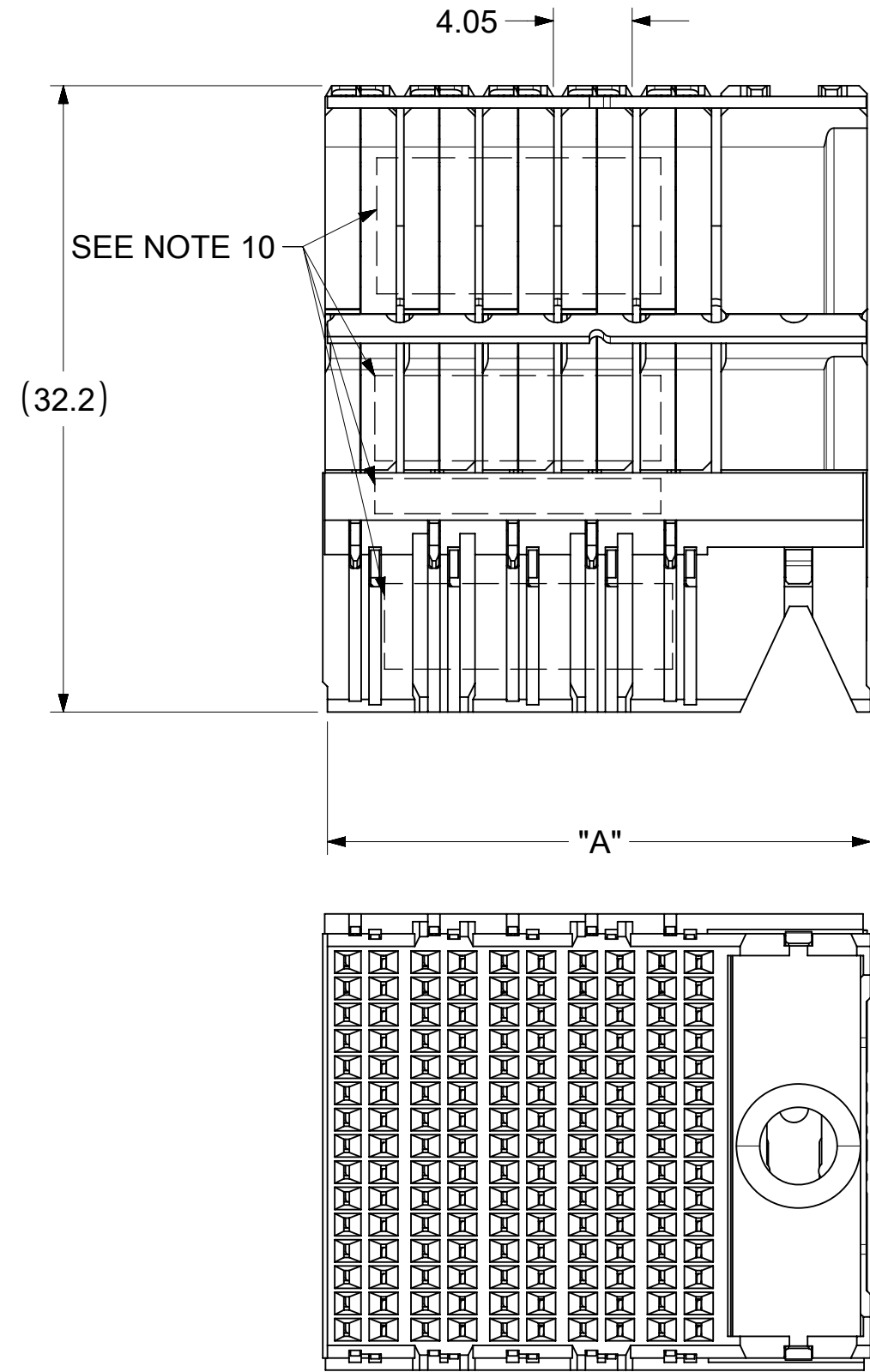
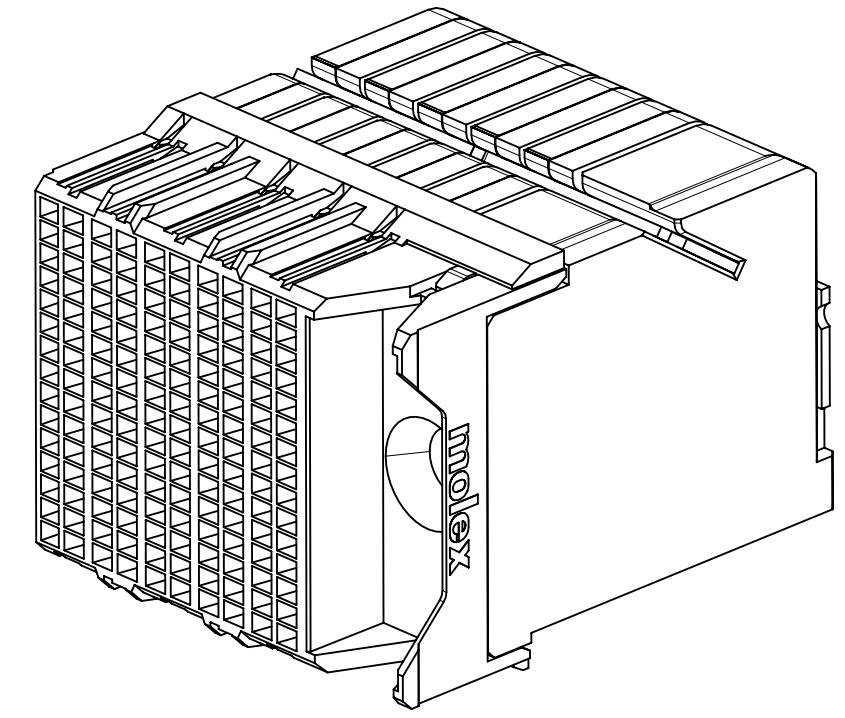


MATERIAL NUMBER	# OF COLUMNS	# OF DIFF PAIR	DIM "A" MAX	DIM "B"	PTH \varnothing
76990-5008	8	40	24.30	14.05	0.46 \pm 0.05
76990-5038	8	40	24.30	14.05	0.39 \pm 0.05
76990-5010	10	50	28.35	18.10	0.46 \pm 0.05
76990-5020	10	50	28.35	18.10	0.39 \pm 0.05
76990-5012	12	60	32.40	22.15	0.46 \pm 0.05
76990-5022	12	60	32.40	22.15	0.39 \pm 0.05

76990-*0**

MODULE & TAIL PLATING TYPE
5 = RIGHT GUIDED, TIN

OF COLUMNS
08 = 8 COL 0.46 PTH
38 = 8 COL 0.39 PTH
10 = 10 COL 0.46 PTH
20 = 10 COL 0.39 PTH
12 = 12 COL 0.46 PTH
22 = 12 COL 0.39 PTH



DAUGHTERCARD HOLE PATTERN
(CONNECTOR SIDE)

- NOTES:
1. MATERIALS: HOUSING - LIQUID CRYSTAL POLYMER (LCP), GLASS-FILLED, UL94V-0
TERMINALS - HIGH PERFORMANCE COPPER ALLOY
 2. FINISH: 30uIN MIN GOLD IN CONTACT AREA. SELECTIVE TIN ON PCB TAILS. NICKEL OVERALL.
 3. REFER TO MOLEX PRODUCT SPEC PS-76060-999 FOR PERFORMANCE SPECIFICATIONS AND ADDITIONAL PCB INFORMATION.
 4. EACH SIGNAL WAFER CONTAINS 2 COLUMNS OF TERMINALS.
 5. PRODUCT IS PACKAGED PER PK-70873-611.
 6. THIS PART CONFORMS TO CLASS B REQUIREMENTS OF COSMETIC SPEC PS-45499-002.
 7. REFER TO MOLEX SALES DRAWING SD-76985-003 FOR THE MATING HEADERS.
 8. WHEN USING MOLEX SUPPLIED #2-32 SCREW 73726-0000 (9.50mm \pm 0.38 THREADABLE SCREW LENGTH), THE MAXIMUM BOARD THICKNESS IS 4.4mm.
 9. REFER TO MOLEX ROUTING GUIDE AS-76850-990 FOR ADDITIONAL PCB LAYOUT AND ROUTING RECOMMENDATIONS.
 10. MARKING: LOCATED APPROXIMATELY AS SHOWN. PART NUMBER AND DATE CODE.

THIS DRAWING CONTAINS INFORMATION THAT IS PROPRIETARY TO MOLEX ELECTRONIC TECHNOLOGIES, LLC AND SHOULD NOT BE USED WITHOUT WRITTEN PERMISSION											
DIMENSION UNITS		SCALE		CURRENT REV DESC: REMASTERED TO NX							
mm		NTS									
GENERAL TOLERANCES (UNLESS SPECIFIED)				EC NO: 705090 DRWN: DYARAS CHK'D: YOGEEB APPR: LZENG 2021/12/03 2022/02/09 2022/05/13							
ANGULAR TOL \pm 0.5°				INITIAL REVISION: DRWN: JLAURX APPR: JBINGHAM 2010/01/11 2010/01/14							
4 PLACES \pm				PRODUCT CUSTOMER DRAWING				DOCUMENT NUMBER			
3 PLACES \pm				SD-76990-004				DOC TYPE DOC PART REVISION			
2 PLACES \pm 0.15				PSD 001 D3							
1 PLACE \pm 0.25				MATERIAL NUMBER				CUSTOMER			
0 PLACES \pm				SEE TABLE				GENERAL MARKET			
DRAFT WHERE APPLICABLE MUST REMAIN WITHIN DIMENSIONS				THIRD ANGLE PROJECTION		DRAWING		SERIES		SHEET NUMBER	
				C-SIZE		76990		1 OF 1			