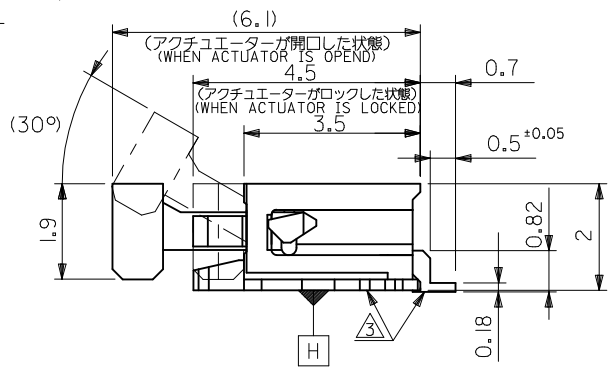
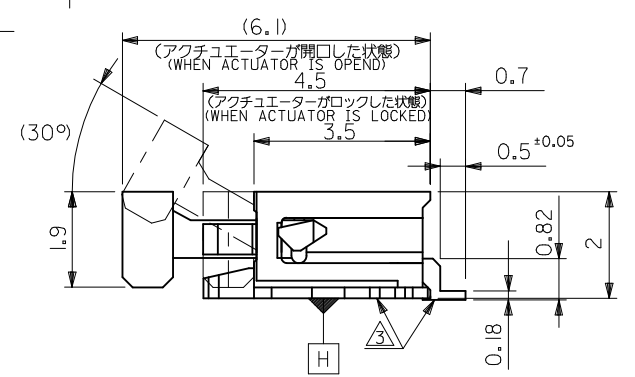
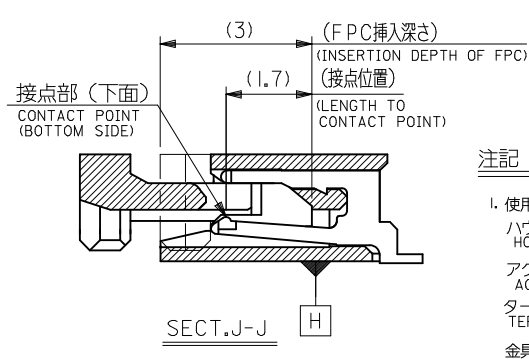
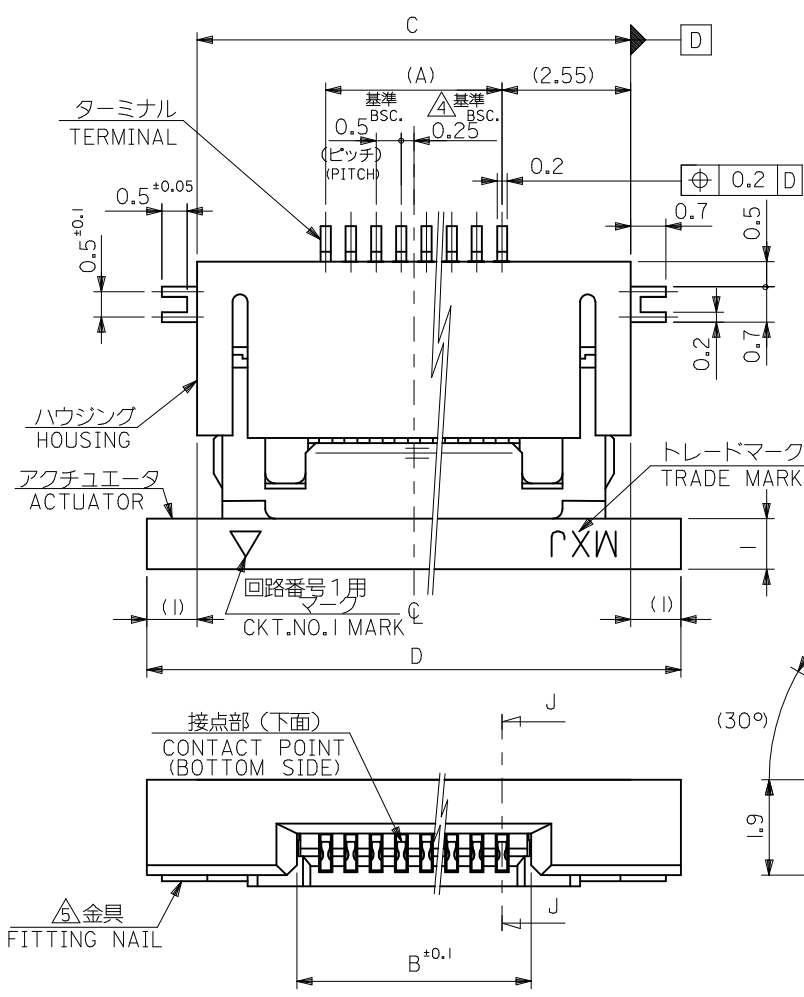


注記 NOTES

1. 使用材料: MATERIAL
 ハウジング HOUSING : 46ナイロン, UL94V-0 46NYLON
 アクチュエータ ACTUATOR : PPS, UL94V-0
 ターミナル TERMINAL : リン青銅, 錫メッキ (t=0.2) PHOS-BRO.TIN-PLATED
 金具 FITTING NAIL : リン青銅, 錫メッキ (t=0.2) PHOS-BRO.TIN-PLATED
2. インボステップ梱包時は、アクチュエータがロックした状態とする。
 IN THE PACKAGE, ACTUATOR OF PART NO.52437-**27 SHOULD BE LOCKED.
- △ソルダータール半田付け面のズレ量、及び金具半田付け面のズレ量は、基準面 H に対し上方向 0.1 MAX. , 下方向 0.15MAX.とする。
 MISALIGNMENT OF SOLDER TAILS AND FITTING NAILS FROM H UPPER DIRECTION: 0.1 MAX. , LOWER DIRECTION: 0.15MAX.
- △偶数種に適用。
 APPLY FOR EVEN CIRCUIT.
- △パターンはくり止め用金具。
 FITTING NAIL FOR PREVENTION OF PEELING OF P.C.B. PATTERN.
- △R0.3は、FPCの導体部にかからないこと。
 R0.3 MUST NOT BE OVERLAPPED TO PATTERN OF FPC.
7. ソルダータールの平坦度は、0.1 MAXIMUMとする。
 SOLDER TAIL COPLANARITY IS 0.1 MAXIMUM.



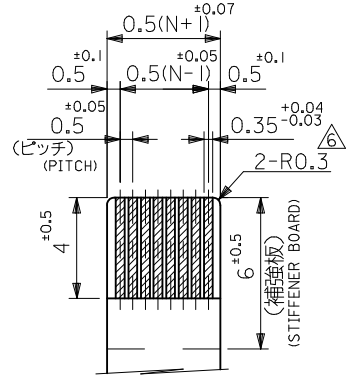
REVISED EC NO: J2014-1862 DRWN: JASUNUMA 2014/06/26 CHKD: TAKAHASHI 2014/06/26 APPR: YNOGAWA 2014/07/01	GENERAL TOLERANCES (UNLESS SPECIFIED)		DIMENSION STYLE MM ONLY		SCALE ---	DESIGN UNITS METRIC	THIRD ANGLE PROJECTION	
	10 UNDER	±0.2	DRAWN BY KNAGUMO	DATE 2013/07/16	TITLE 0.5 FPC CONN ZIF FOR SMT R/A(BOTTOM CONTACT)			
	10 OVER 30 UNDER	±0.25	CHECKED BY KTAKAHASHI	DATE 2013/07/16				
	30 OVER	±0.3	APPROVED BY YNOGAWA	DATE 2013/08/02				
ANGULAR	±3 °	MATERIAL NO. SEE CHART		DOCUMENT NO. SD-52437-025	SHEET NO. 1 OF 2			
DRAFT WHERE APPLICABLE MUST REMAIN WITHIN DIMENSIONS		SIZE A3	THIS DRAWING CONTAINS INFORMATION THAT IS PROPRIETARY TO MOLEX INCORPORATED AND SHOULD NOT BE USED WITHOUT WRITTEN PERMISSION					



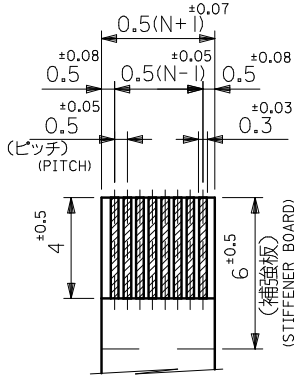
注記 NOTES

- 使用材料： MATERIAL
 ハウジング : 46ナイロン, UL94V-0 HOUSING 46NYLON
 アクチュエータ : PPS, UL94V-0 ACTUATOR
 ターミナル : リン青銅, 錫メッキ (t=0.2) TERMINAL PHOS-BRO.TIN-PLATED
 金具 : リン青銅, 錫メッキ (t=0.2) FITTING NAIL PHOS-BRO.TIN-PLATED
- エンボステープ梱包時は、アクチュエータがロックした状態とする。
 IN THE PACKAGE, ACTUATOR OF PART NO.52437-**27 SHOULD BE LOCKED.
- △ソルダーテール半田付け面のズレ量、及び金具半田付け面のズレ量は、基準面 H に対し上方向 0.1 MAX. , 下方向 0.15MAX.とする。
 MISALIGNMENT OF SOLDER TAILS AND FITTING NAILS FROM H UPPER DIRECTION: 0.1 MAX. , LOWER DIRECTION: 0.15MAX.
- △偶数種に適用。
 APPLY FOR EVEN CIRCUIT.
- △パターンはくり止め用金具。
 FITTING NAIL FOR PREVENTION OF PEELING OF P.C.B. PATTERN.
- △R0.3は、FPCの導体部にかからないこと。
 R0.3 MUST NOT BE OVERLAPPED TO PATTERN OF FPC.
- ソルダーテールの平坦度は、0.1 MAXIMUMとする。
 SOLDER TAIL COPLANARITY IS 0.1 MAXIMUM.

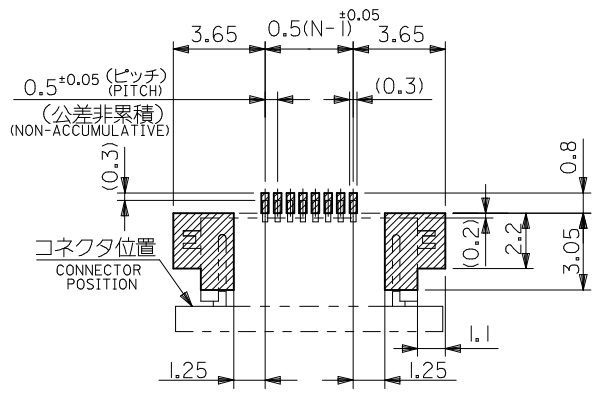
REVISED EC NO: J2014-1862 DRWN: JASUNUMA 2014/06/26 CHKD: TAKAHASHI 2014/06/26 APPR: YNOGAWA 2014/07/01	GENERAL TOLERANCES (UNLESS SPECIFIED)		DIMENSION STYLE MM ONLY	SCALE ---	DESIGN UNITS METRIC	THIRD ANGLE PROJECTION
	10 UNDER	±0.2	DRAWN BY KNAGUMO	DATE 2013/07/16	TITLE 0.5 FPC CONN ZIF FOR SMT R/A(BOTTOM CONTACT)	
	10 OVER 30 UNDER	±0.25	CHECKED BY KTAKAHASHI	DATE 2013/07/16		
	30 OVER	±0.3	APPROVED BY YNOGAWA	DATE 2013/08/02		
ANGULAR ±3 °		MATERIAL NO.	SEE CHART		DOCUMENT NO. SD-52437-025	SHEET NO. 1 OF 2
DRAFT WHERE APPLICABLE MUST REMAIN WITHIN DIMENSIONS		THIS DRAWING CONTAINS INFORMATION THAT IS PROPRIETARY TO MOLEX INCORPORATED AND SHOULD NOT BE USED WITHOUT WRITTEN PERMISSION				



適合FPC推奨寸法
 APPLICABLE FPC RECOMMENDED DIMENSION.
 (仕上がり厚さ: 0.3^{±0.05})
 (THICKNESS: 0.3^{±0.05})



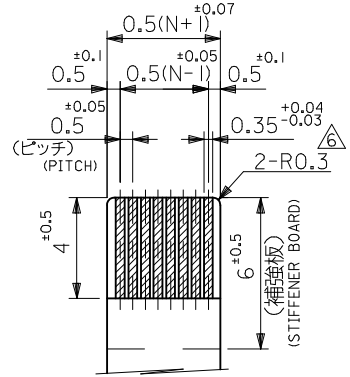
適合FPC推奨寸法
 APPLICABLE FPC RECOMMENDED DIMENSION.
 (仕上がり厚さ: 0.3^{±0.05})
 (THICKNESS: 0.3^{±0.05})



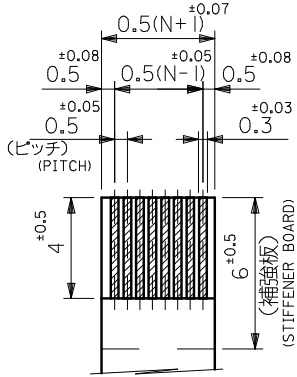
参考基板レイアウト
 (マウント面)
 RECOMMENDED P.C. BOARD PATTERN DIMENSION (REF.) (MOUNTING SIDE)

21.6	19.6	15.65	14.5	52437-3027	30
21.1	19.1	15.15	14.0	-2927	29
20.1	18.1	14.15	13.0	-2727	27
19.6	17.6	13.65	12.5	-2627	26
18.6	16.6	12.65	11.5	-2427	24
18.1	16.1	12.15	11.0	-2327	23
17.6	15.6	11.65	10.5	-2227	22
16.6	14.6	10.65	9.5	-2027	20
15.6	13.6	9.65	8.5	-1827	18
14.6	12.6	8.65	7.5	-1627	16
14.1	12.1	8.15	7.0	-1527	15
13.6	11.6	7.65	6.5	-1427	14
13.1	11.1	7.15	6.0	-1327	13
12.6	10.6	6.65	5.5	-1227	12
11.6	9.6	5.65	4.5	-1027	10
10.6	8.6	4.65	3.5	-0827	8
10.1	8.1	4.15	3.0	-0727	7
9.6	7.6	3.65	2.5	52437-0627	6
D	C	B	(A)	ENG. NO.	極数

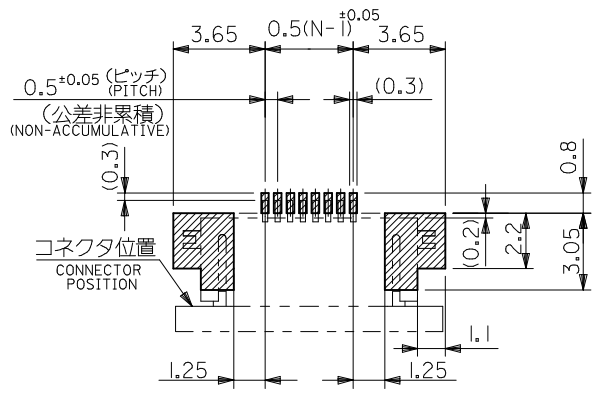
SEE SHEET 1 EC NO: J2014-1862 DRWN: JASUNUMA 2014/06/26 CHKD: TAKAHASHI 2014/06/26 APPR: YNOGAWA 2014/07/01	DESCRIPTION REV A	GENERAL TOLERANCES (UNLESS SPECIFIED)		DIMENSION STYLE MM ONLY		SCALE ---	DESIGN UNITS METRIC	THIRD ANGLE PROJECTION		
		10 UNDER ±0.2	10 OVER 30 UNDER ±0.25	30 OVER ±0.3	ANGULAR ±3 °	DRAFT WHERE APPLICABLE MUST REMAIN WITHIN DIMENSIONS	DRAWN BY DATE KNAGUMO 2013/07/16		CHECKED BY DATE KTAKAHASHI 2013/07/16	
		MATERIAL NO.		SEE CHART		TITLE 0.5 FPC CONN ZIF FOR SMT R/A(BOTTOM CONTACT)		DOCUMENT NO. SD-52437-025		SHEET NO. 2 OF 2
		SIZE A3		THIS DRAWING CONTAINS INFORMATION THAT IS PROPRIETARY TO MOLEX INCORPORATED AND SHOULD NOT BE USED WITHOUT WRITTEN PERMISSION						



適合FPC推奨寸法
 APPLICABLE FPC
 RECOMMENDED DIMENSION.
 (仕上がり厚さ: $0.3^{+0.05}$)
 (THICKNESS: $0.3^{+0.05}$)



適合FPC推奨寸法
 APPLICABLE FPC
 RECOMMENDED DIMENSION.
 (仕上がり厚さ: $0.3^{+0.05}$)
 (THICKNESS: $0.3^{+0.05}$)



参考基板レイアウト
 (マウント面)
 RECOMMENDED P.C. BOARD
 PATTERN DIMENSION (REF.)
 (MOUNTING SIDE)

21.6	19.6	15.65	14.5	52437-3027	30
21.1	19.1	15.15	14.0	-2927	29
20.1	18.1	14.15	13.0	-2727	27
19.6	17.6	13.65	12.5	-2627	26
18.6	16.6	12.65	11.5	-2427	24
18.1	16.1	12.15	11.0	-2327	23
17.6	15.6	11.65	10.5	-2227	22
16.6	14.6	10.65	9.5	-2027	20
15.6	13.6	9.65	8.5	-1827	18
14.6	12.6	8.65	7.5	-1627	16
14.1	12.1	8.15	7.0	-1527	15
13.6	11.6	7.65	6.5	-1427	14
13.1	11.1	7.15	6.0	-1327	13
12.6	10.6	6.65	5.5	-1227	12
11.6	9.6	5.65	4.5	-1027	10
10.6	8.6	4.65	3.5	-0827	8
10.1	8.1	4.15	3.0	-0727	7
9.6	7.6	3.65	2.5	52437-0627	6
D	C	B	(A)	ENG. NO.	極数 CMT

SEE SHEET 1 EC NO: J2014-1862 DRWN: JASANUMA 2014/06/26 CHKD: KTAKAHASHI 2014/06/26 APPR: YNOGAWA 2014/07/01	DESCRIPTION GENERAL TOLERANCES (UNLESS SPECIFIED) 10 UNDER ± 0.2 10 OVER 30 UNDER ± 0.25 30 OVER ± 0.3 ANGULAR $\pm 3^\circ$ DRAFT WHERE APPLICABLE MUST REMAIN WITHIN DIMENSIONS	DIMENSION STYLE MM ONLY	SCALE ---	DESIGN UNITS METRIC	TITLE 0.5 FPC CONN ZIF FOR SMT R/A(BOTTOM CONTACT) THIRD ANGLE PROJECTION	
		DRAWN BY KNAGUMO	DATE 2013/07/16	MATERIAL NO. SEE CHART		
		CHECKED BY KTAKAHASHI	DATE 2013/07/16	DOCUMENT NO. SD-52437-025		
		APPROVED BY YNOGAWA	DATE 2013/08/02	SHEET NO. 2 OF 2		
		SIZE A3		THIS DRAWING CONTAINS INFORMATION THAT IS PROPRIETARY TO MOLEX INCORPORATED AND SHOULD NOT BE USED WITHOUT WRITTEN PERMISSION		