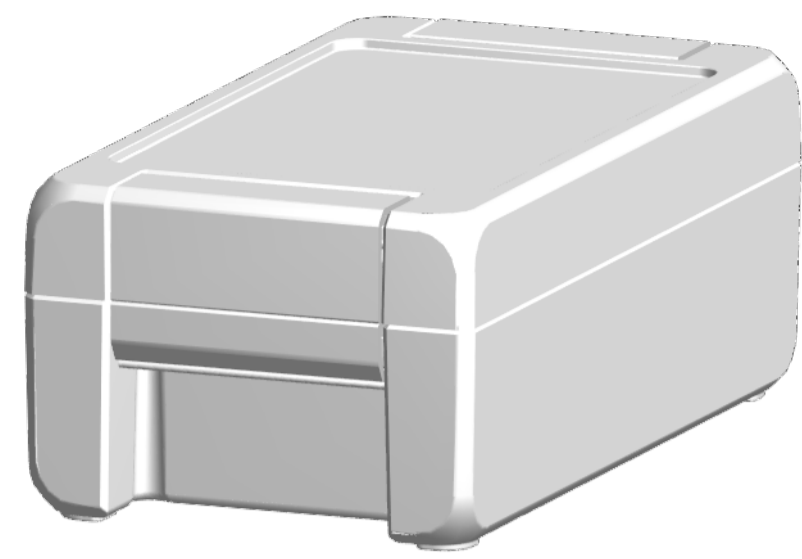
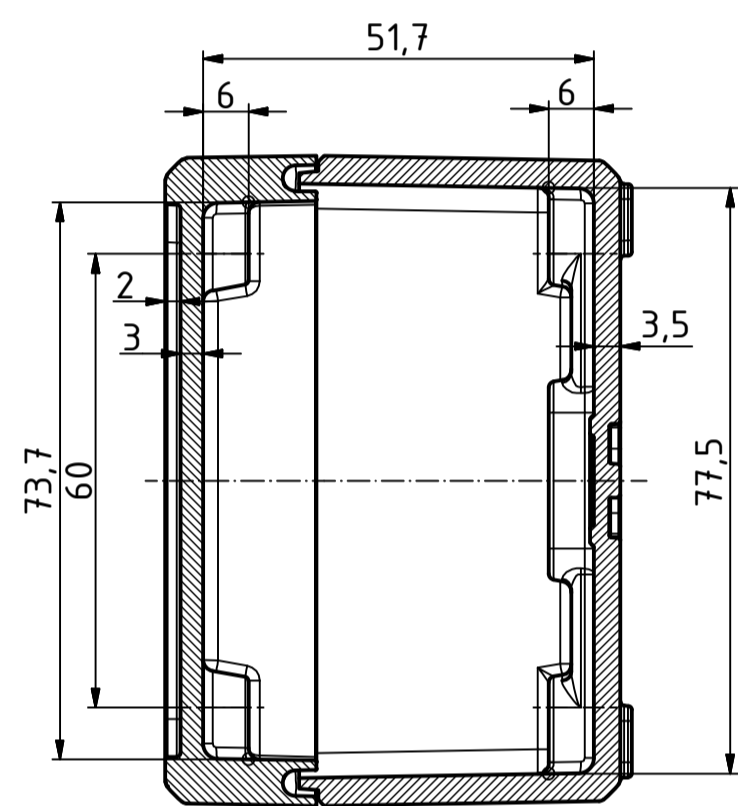


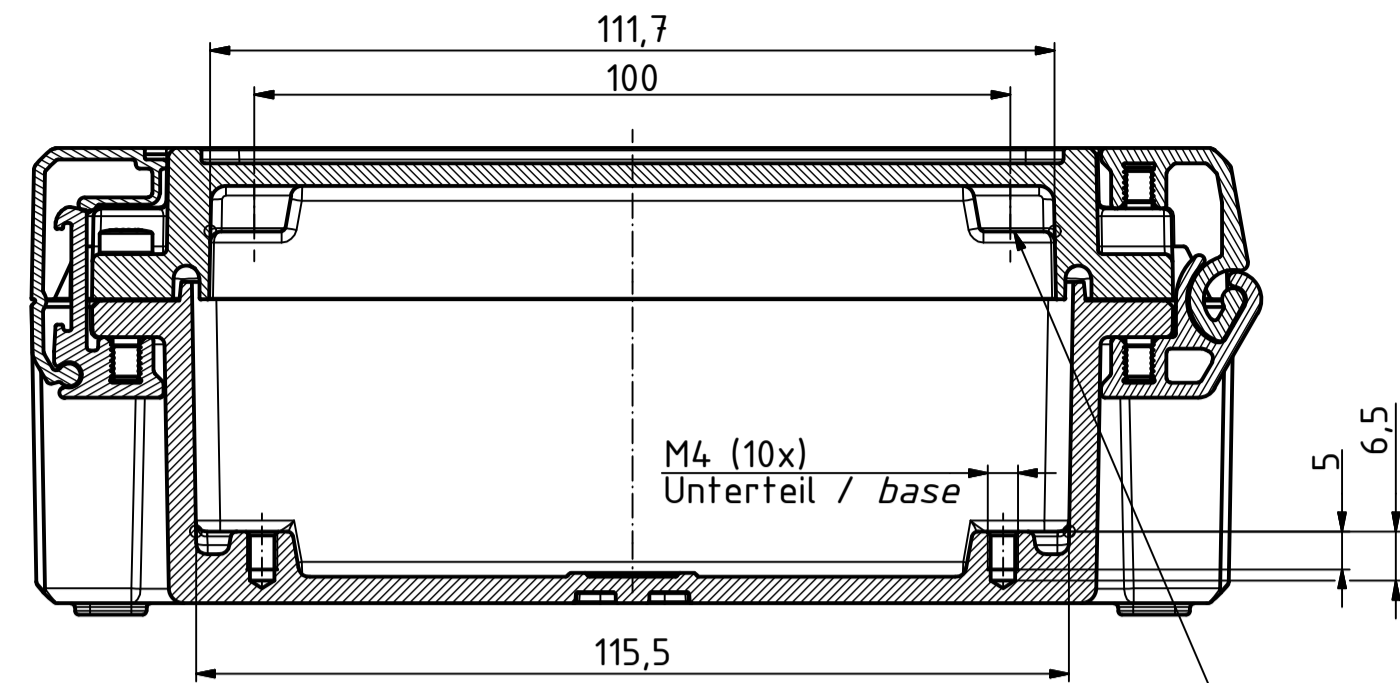
"Schutzvermerk nach DIN ISO 16616 beachten" - "Please pay attention to copyright note DIN ISO 16616"



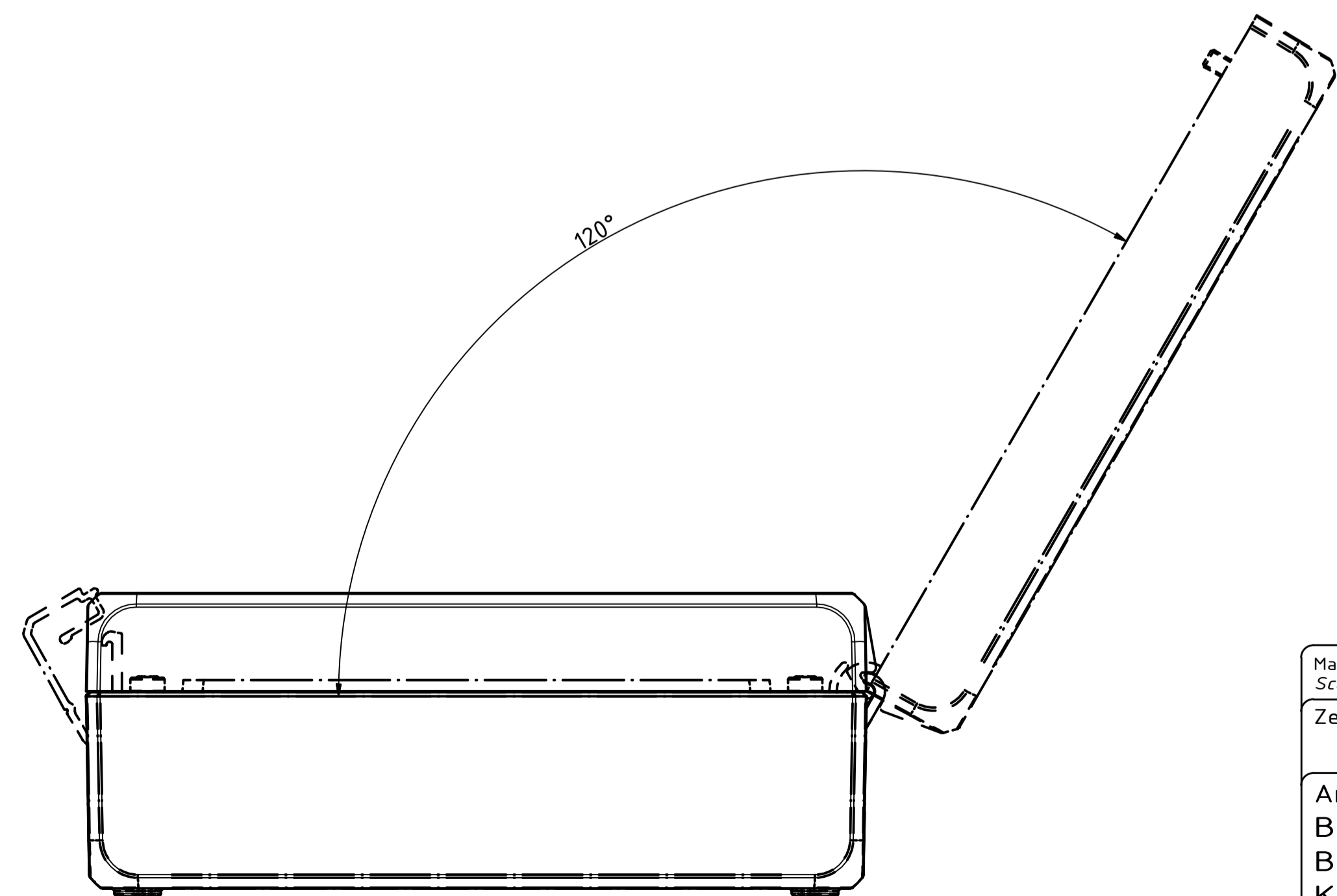
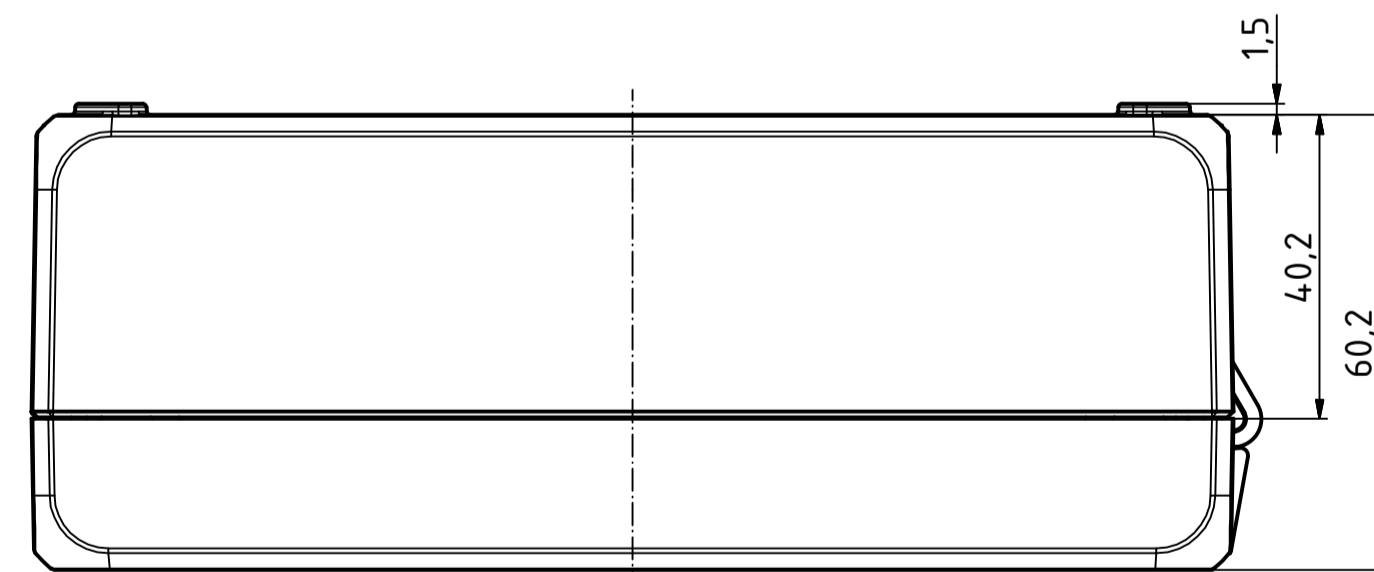
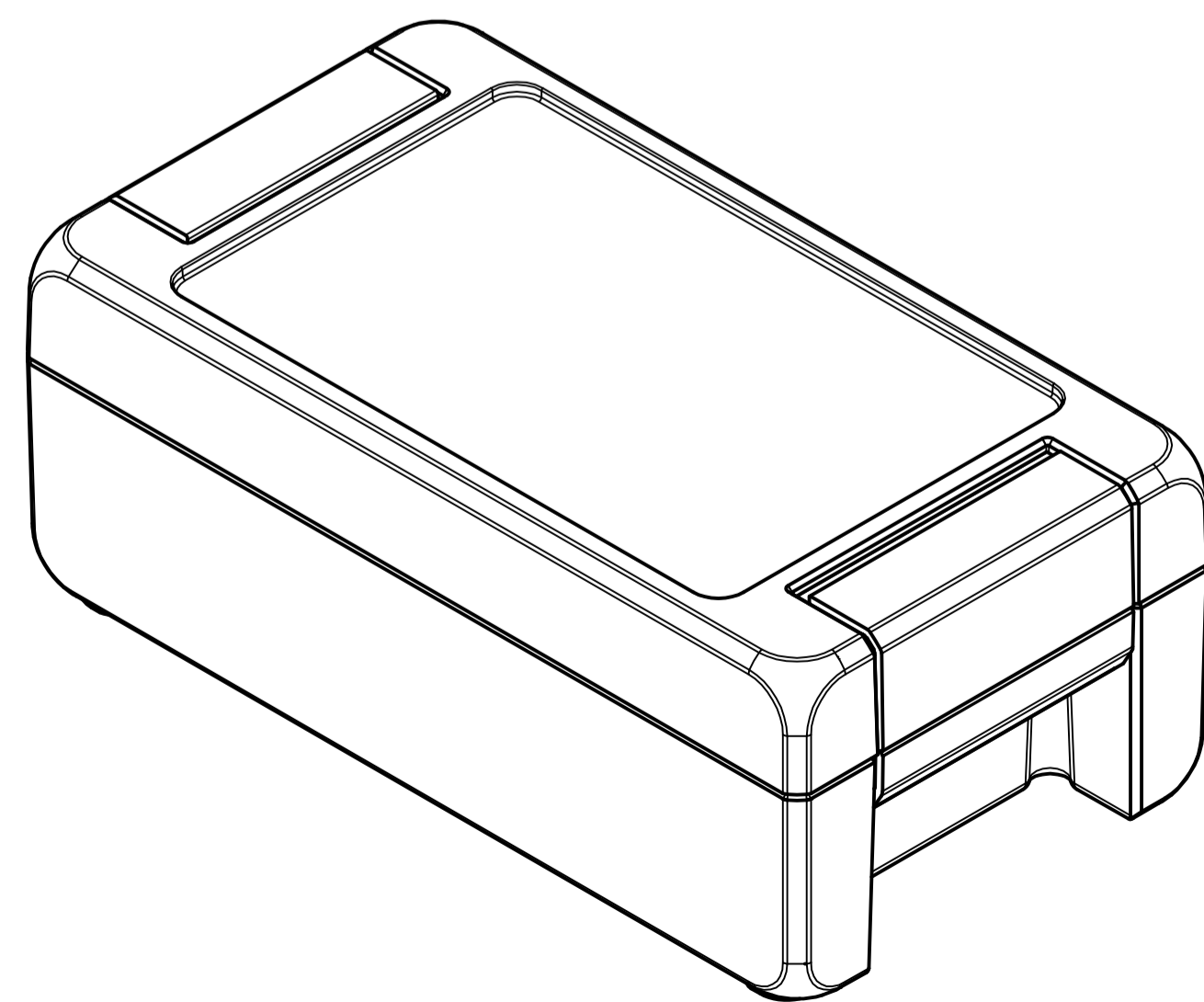
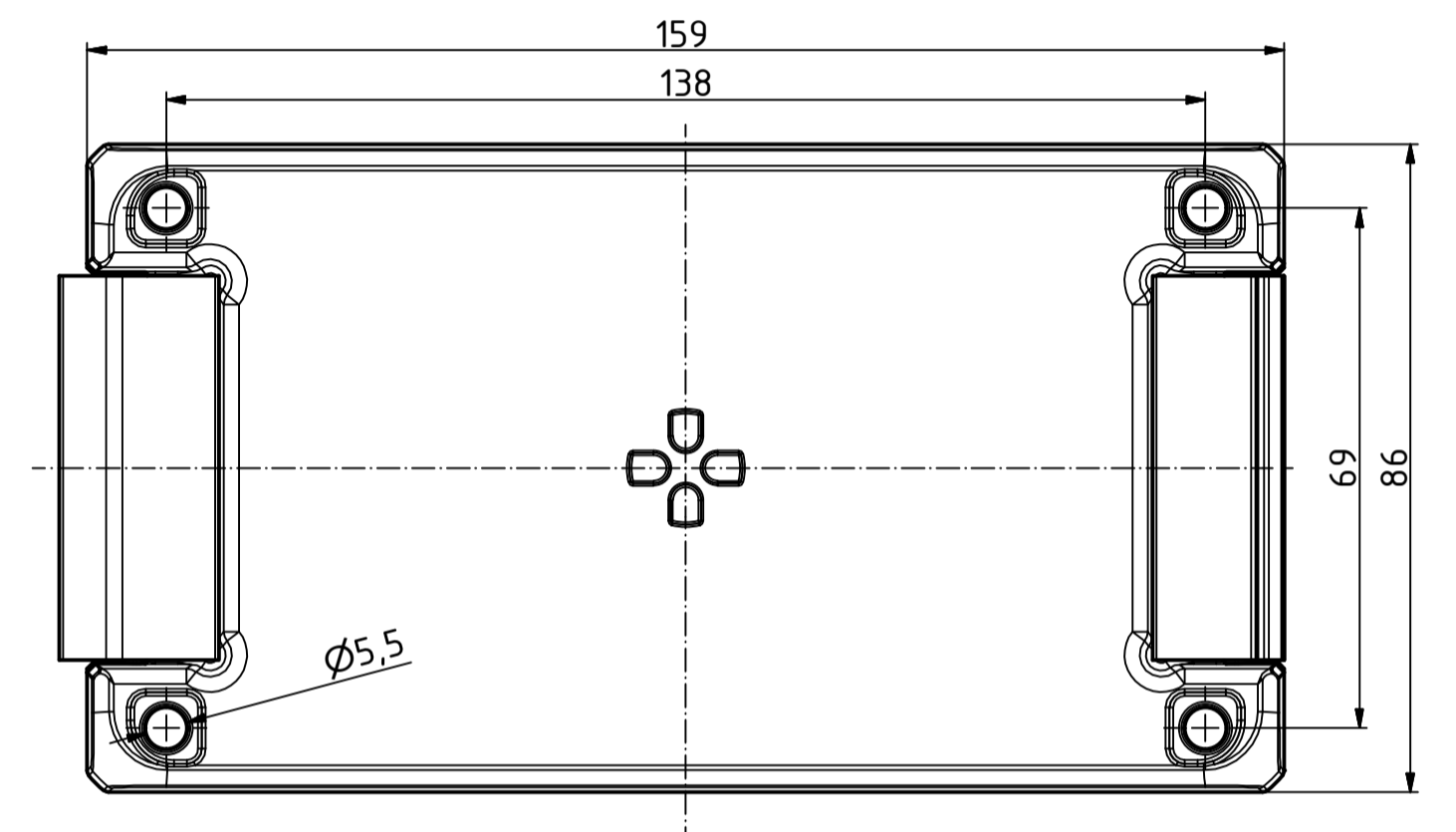
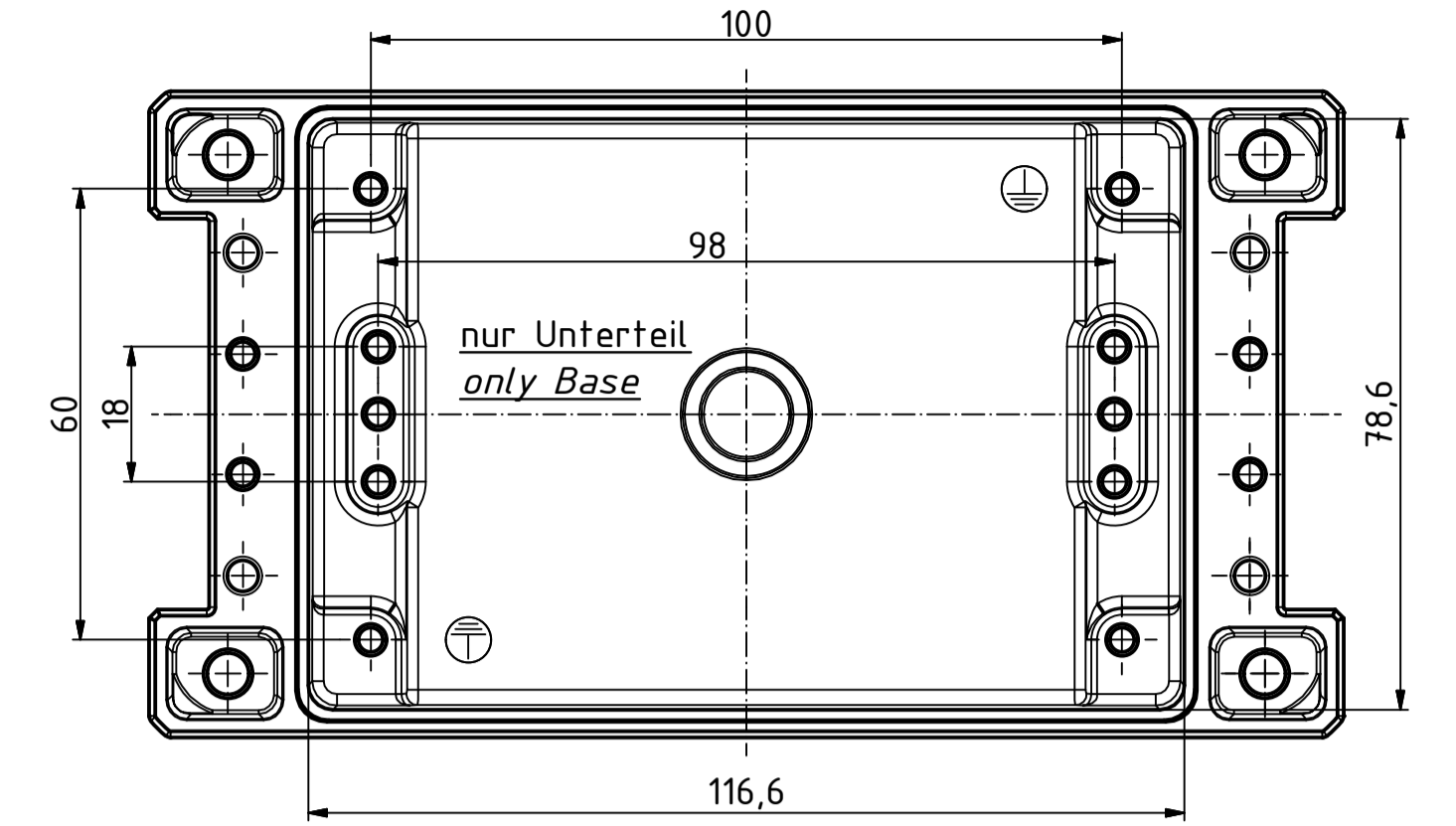
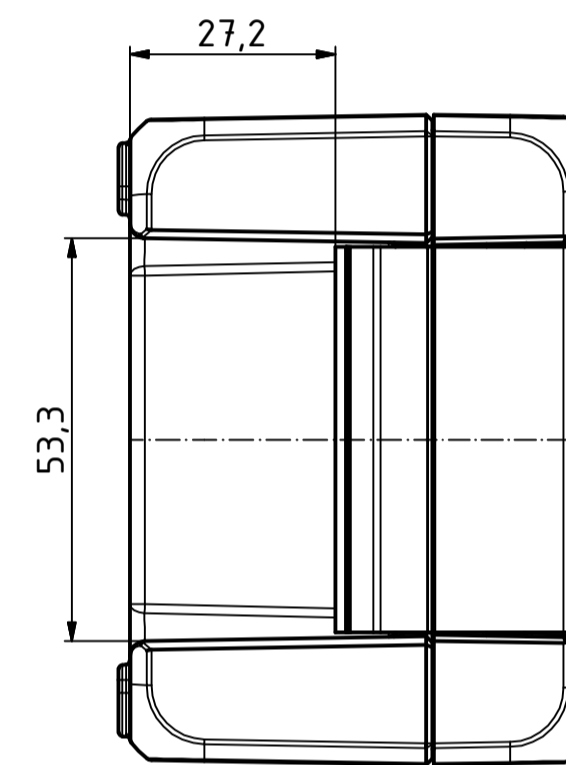
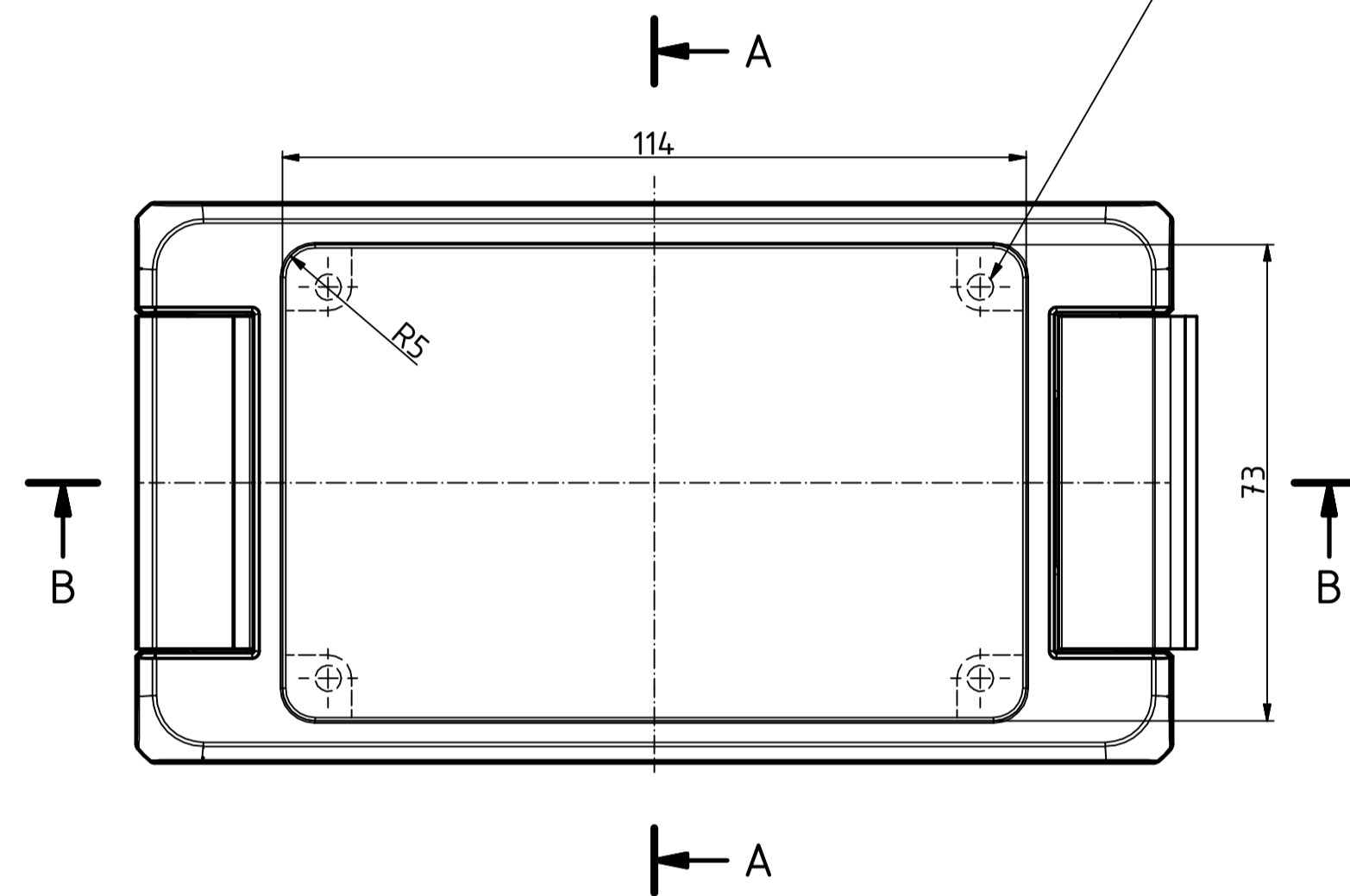
A-A (1:1)



B-B (1:1)



M4 (4x)
Oberfeil / lid



| | |
|---|-------------------------------------|
| Maßstab/ Scale: | 1:1 |
| Zeichnungs-Nr. / Drawing-No.: | 1K 5420.034.01 |
| Artikel / Article: | Bocube Aluminium BA 140806 F-... |
| Katalogzg./Catalogue draw. | |
| A.Nr./ Alt.No. | Datum/ Date: |
| DISK: 24.03710.idw Datum/Date: 23.09.2014 FW | |



A Phoenix Mecano Company