

MODEL:

TLP1006B

Protect It!® 10-Outlet Surge Protector



2880 Joule Rating



10 Outlets



Safety Covers



2 LEDs



\$100K Ultimate Lifetime Insurance



Lifetime Warranty

A NEMA 5-15R Surge-Protected Outlets (10) (2880 Joule Rating)

B Outlet Safety Covers

C "PROTECTED" LED Light Bar

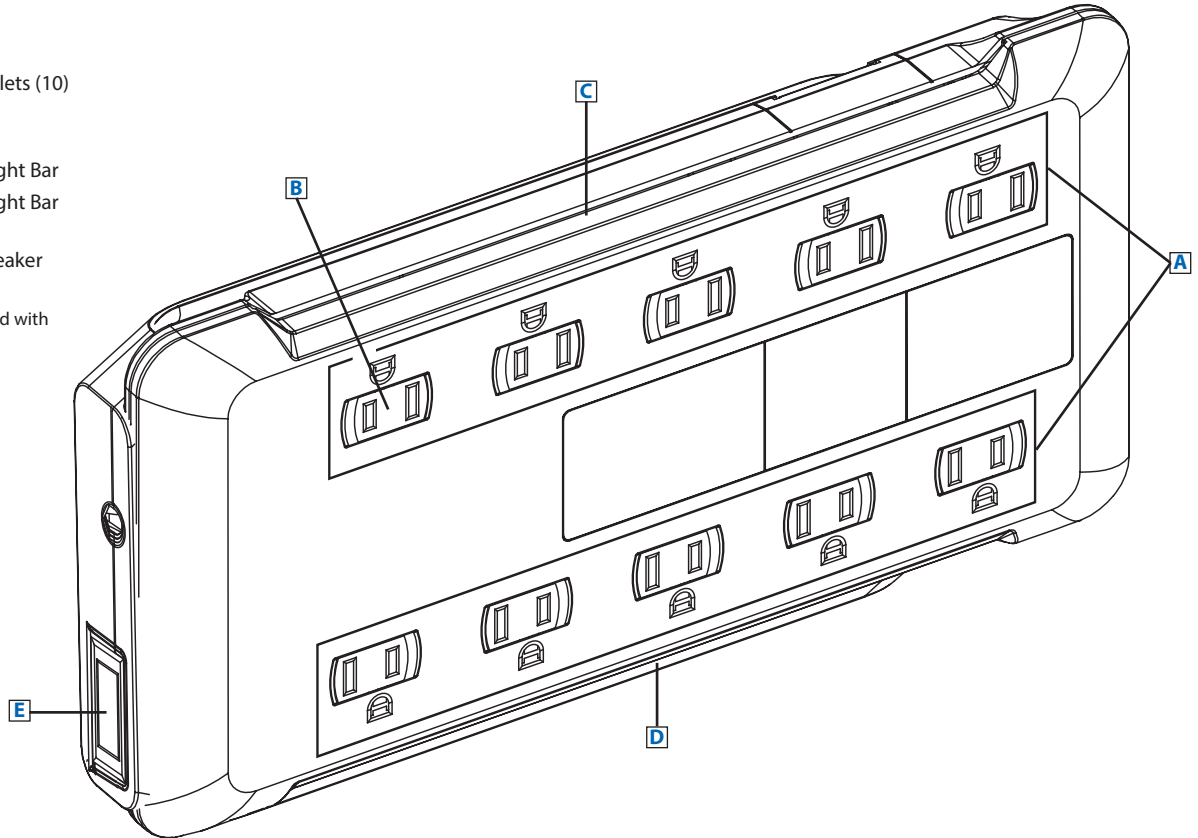
D "GROUNDED" LED Light Bar

E ON/OFF Switch with Integrated Circuit Breaker

Not Shown:

6 ft. (1.8 m) Input Power Cord with Right-Angle Plug

Wall-Mount Keyhole Slots



Specifications

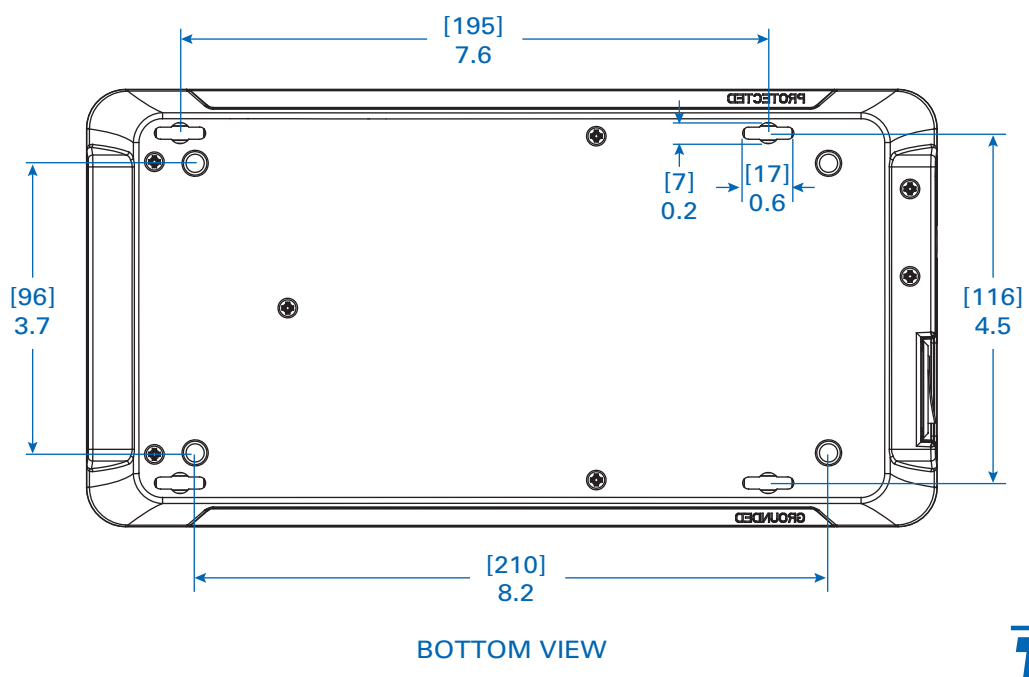
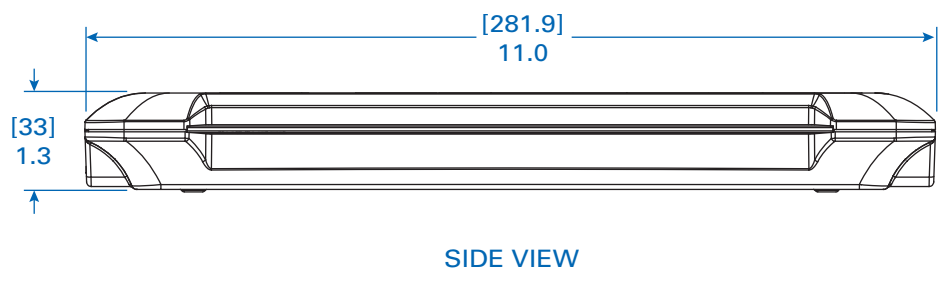
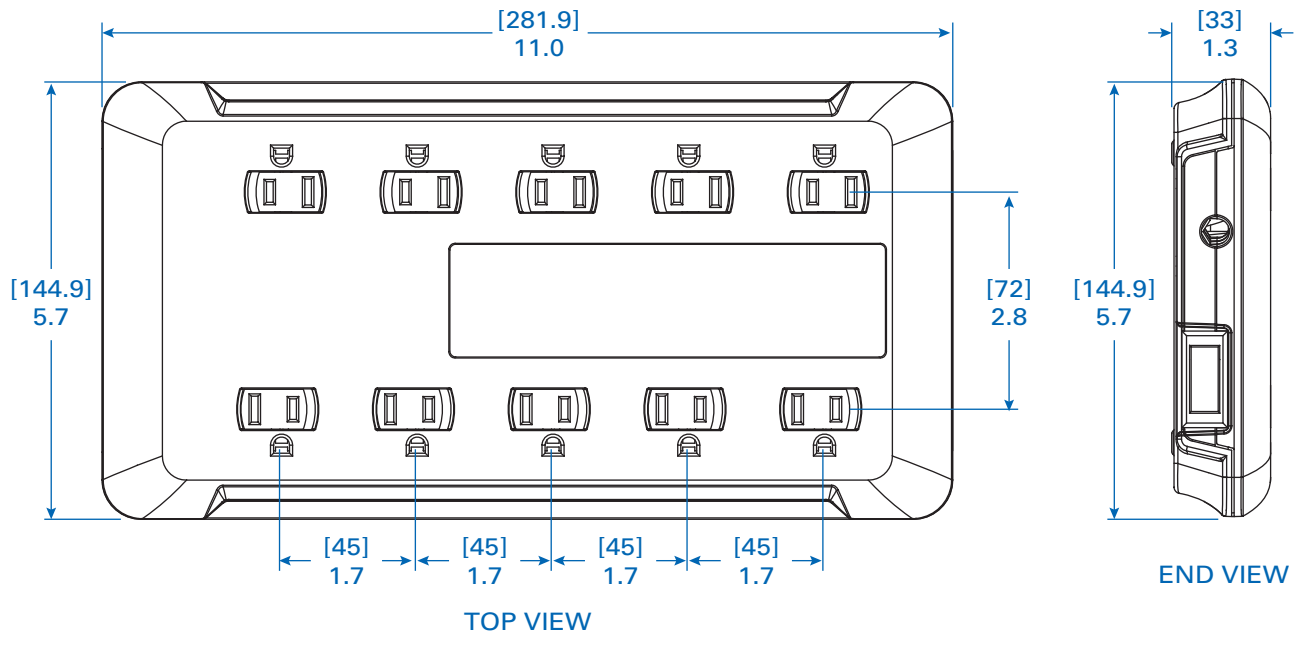
Models	TLP1006B
Input Voltage	120V AC, 60 Hz
Outlets	(10) 5-15R
Plug Type/Cord Length	5-15P Right Angle / 6 ft. (1.8 m)
Max Output Watts	1800W
Output Amperage	15A
LED Indicators	Ground OK (Red); Protected (Green)
Switch Type	On/Off Rocker
Surge Protection Rating	2880 Joules
Protection Modes	Includes full normal mode (H-N) and common mode (N-G / H-G)
Unit Dimensions [H x W x D]	11 x 1.3 x 5.7 in. (282 x 33 x 145 mm)
Shipping Dimensions [H x W x D]	1.7 x 8.7 x 12.5 in. (43 x 220 x 318 mm)
Unit Weight	1.7 lb. (0.78 kg)
Shipping Weight	2.1 lb. (0.95 kg)
Standards	Tested to UL1449 3rd Ed., UL1363; CSA C22.2 NO.308,269.3; Meets NOM (Mexico) and RoHS standards

- Exceeds IEEE 587 Category A and B surge suppression specifications
- Widely spaced outlets provide ample room for bulky transformer connections
- Integrated 15A circuit breaker shuts down outlets in case of power overload

SEE NEXT PAGE FOR DETAILED UNIT MEASUREMENTS



1111 W. 35th Street
Chicago, IL 60609 USA
773.869.1234
www.tripplite.com



MODEL:
TLP1006B

TRIPP-LITE

1111 W. 35th Street
Chicago, IL 60609 USA
773.869.1234
www.tripplite.com

Dimensions: [mm] INCHES

Tripp Lite has a policy of continuous improvement. Specifications are subject to change without notice.