



EFM32 Zero Gecko STK

Board Function	Page
Title Page	1
User Interface	2
EFM32 signal Assignments	3
EFM32 I/O	4
EFM32 Power	5
STK Common Interface	6
STK Common/Power & Misc	7
STK Common/AEM	8
STK Common/Debug Interface	9
STK Common/Board Controller	10
Board Controller/Misc	11
Board Controller/Control MCU	12

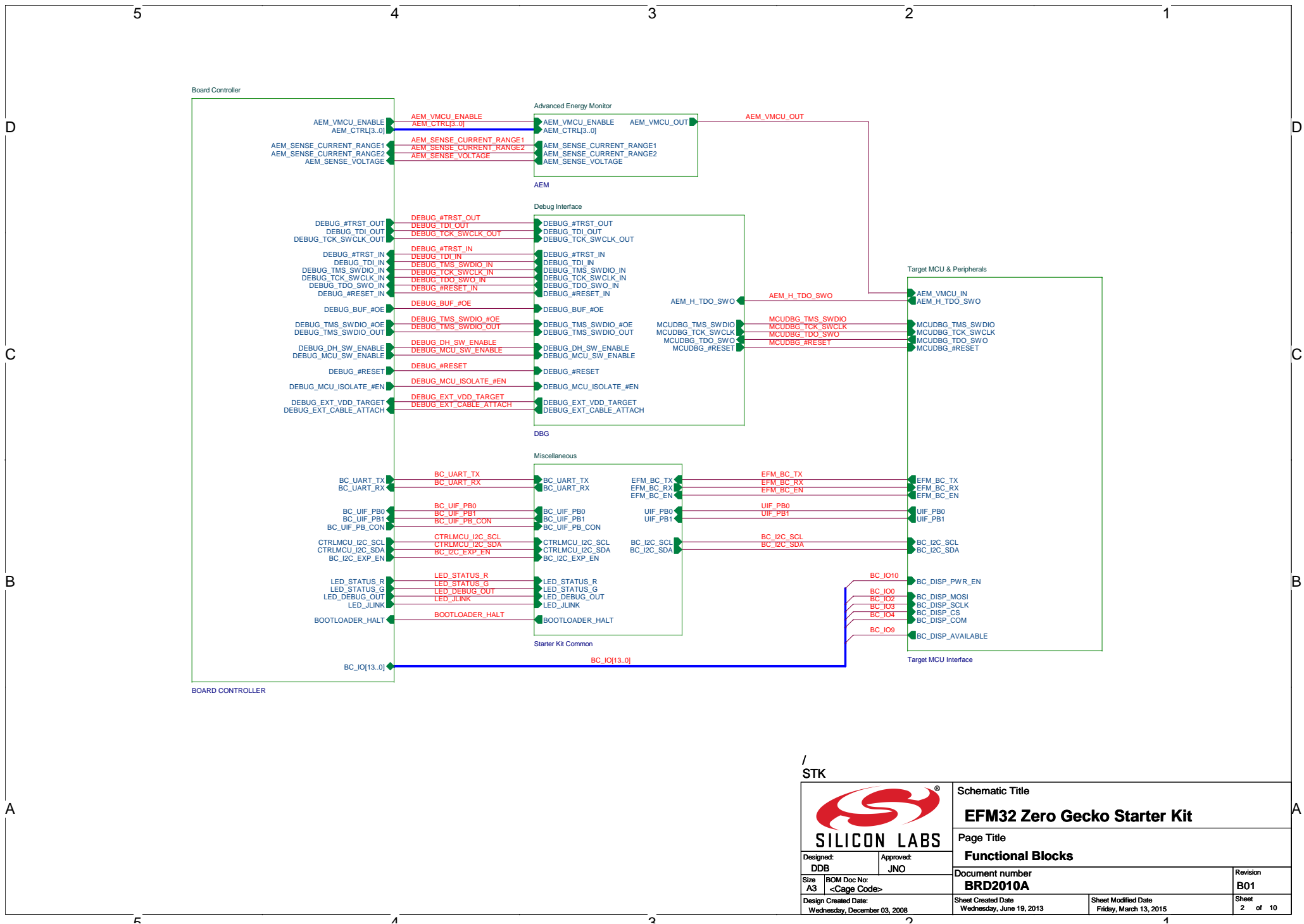
Revision History


Rev.	Description
PB10	Added 3V6_SENSE. Added TPJ608. Changed TP703 to TPJ703.
PB11	Swapped BC_DISP_COM from BC_IO1 to BC_IO4.
PB12	Swapped EXP Header pins 15 and 17. Moved TPJ606 and TPJ607.
PB13	Extended CTRLMCU_I2C bus to EXP Header. Added EFM_DISP_PWR_EN signal.
B00	Initial release for series production.
B01	Changed U603 from LD6806 to TLV70536.



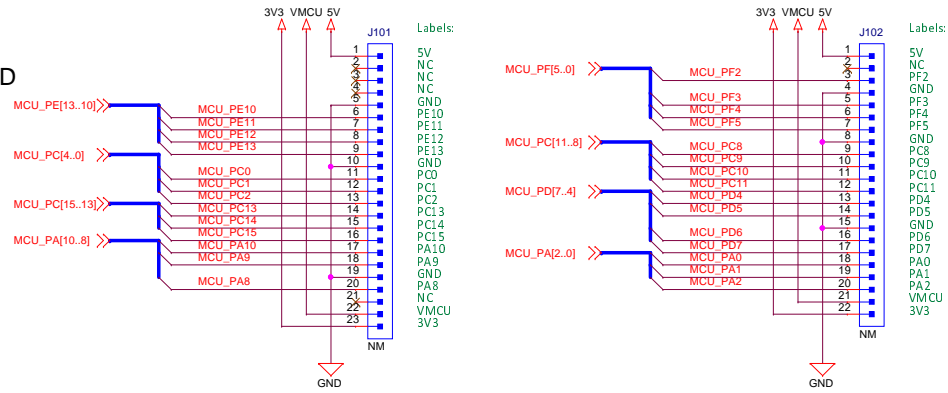
STK

		Schematic Title	
		EFM32 Zero Gecko Starter Kit	
Designed: ANB Approved: JNO		Page Title	
		Title Page	
Size A3	BOM Doc No:	Document number	Revision
		BRD2010A	B01
Design Created Date: Wednesday, December 03, 2008	Sheet Created Date Saturday, March 21, 2009	Sheet Modified Date Friday, March 13, 2015	Sheet 1 of 10

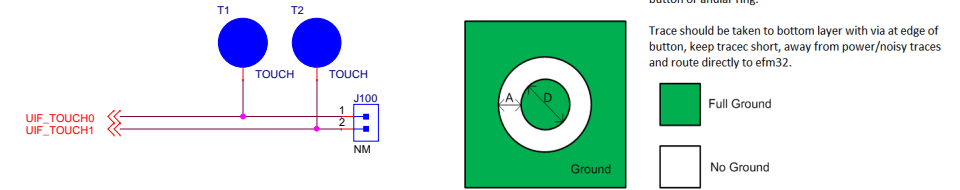


		Schematic Title	
		EFM32 Zero Gecko Starter Kit	
SILICON LABS		Page Title	
		Functional Blocks	
Designed: DDB	Approved: JNO	Document number	
Size A3	BOM Doc No: <Cage Code>	BRD2010A	
Design Created Date: Wednesday, December 03, 2008		Sheet Created Date Wednesday, June 19, 2013	Sheet Modified Date Friday, March 13, 2015
		Revision	Sheet
		B01	2 of 10

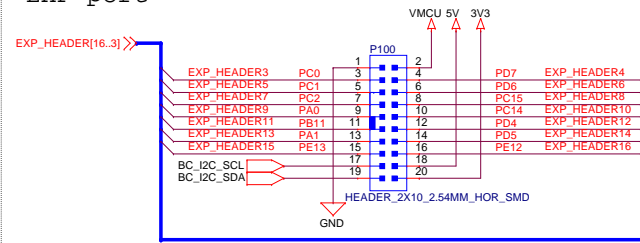
Breakout Connections



Touch Pads



EXP port

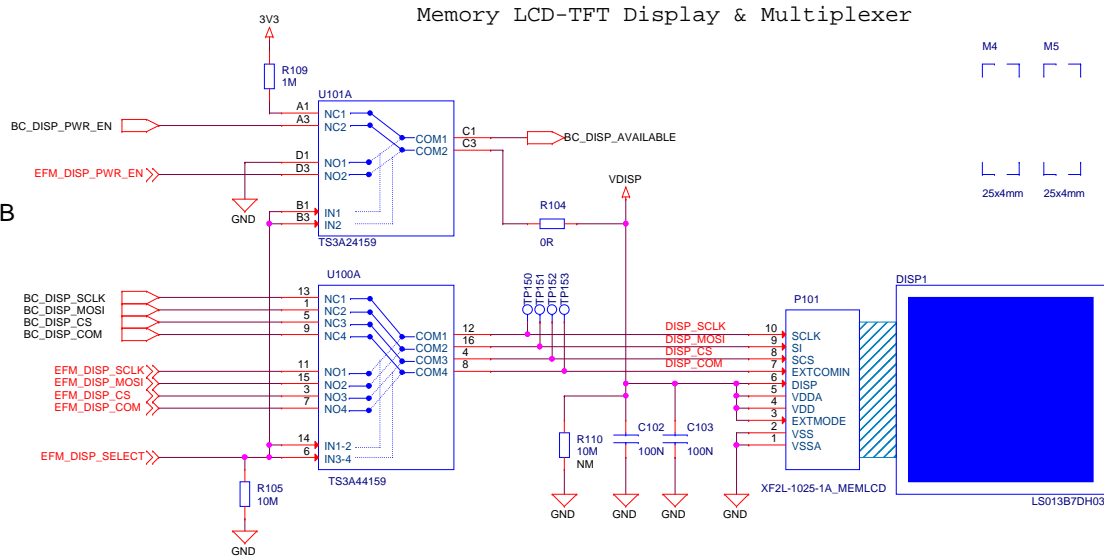


EXP-Header Functionality

1	GND		
3	PC0		ACMP0_CH0
5	PC1		ACMP0_CH1
7	PC2		ACMP0_CH2
9	PA0		
11	PB11		IDAC0_OUT
13	PA1		
15	PE13	I2C0_SCL	
17	Reserved for E32 Board Identification		
19	Reserved for EXP Board Identification		

2	VMCU		
4	PD7	US1_TX	ADC0_CH7
6	PD6	US1_RX	ADC0_CH6
8	PC15	US1_CLK	
10	PC14	US1_CS	
12	PD4	LEU0_TX	ADC0_CH4
14	PD5	LEU0_RX	ADC0_CH5
16	PE12	I2C0_SDA	
18	5V		
20	3V3		

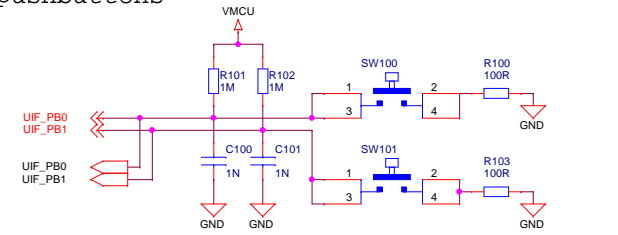
Memory LCD-TFT Display & Multiplexer



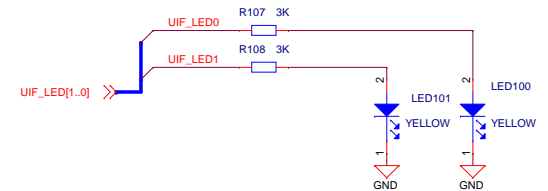
EFM_DISP_SELECT	DISP_CTRL	VDISP	BC_DISP_AVAILABLE
1	EFM	EFM_DISP_PWR_EN	0
0	BC	BC_DISP_PWR_EN	1

The EFM32 always controls ownership of the display using the EFM_DISP_SELECT signal.

User pushbuttons

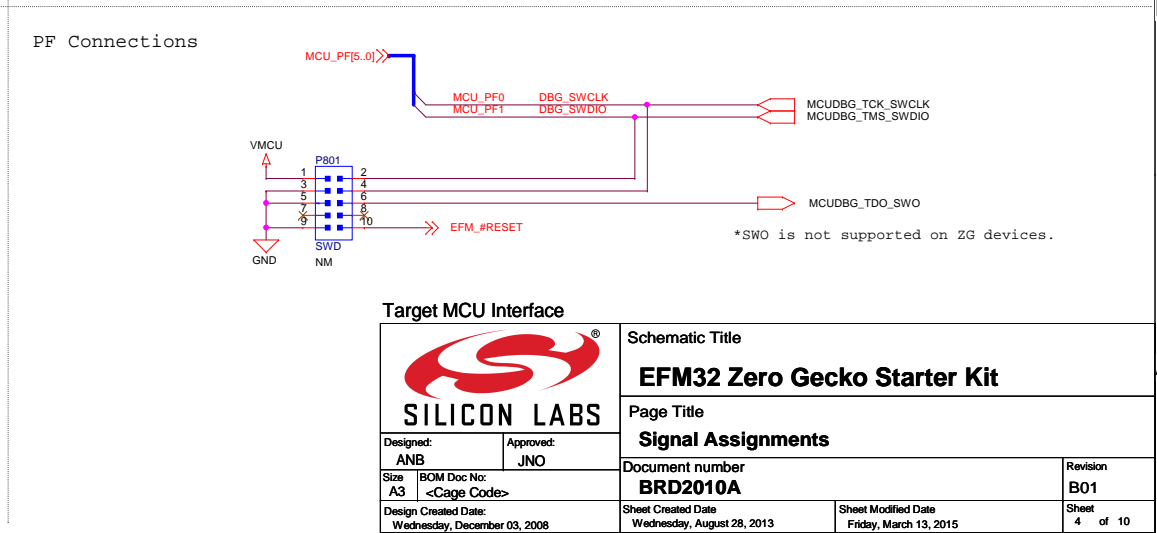
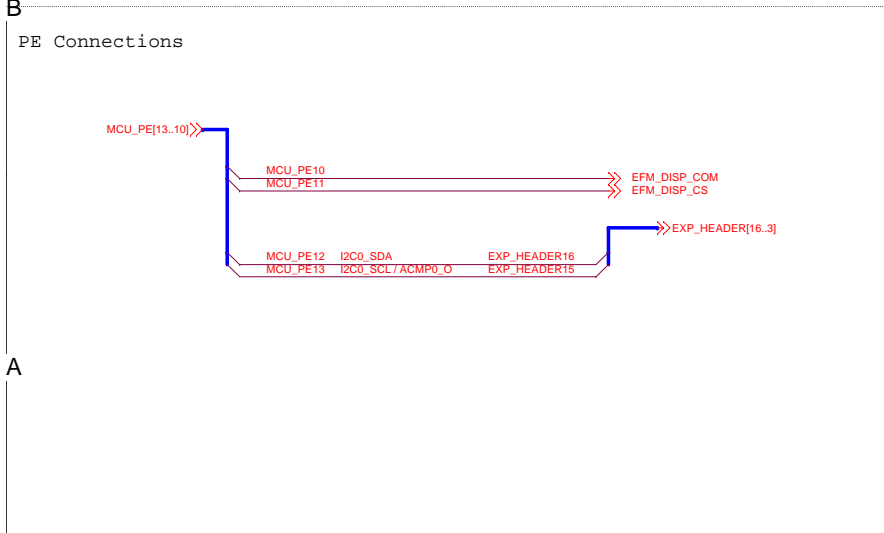
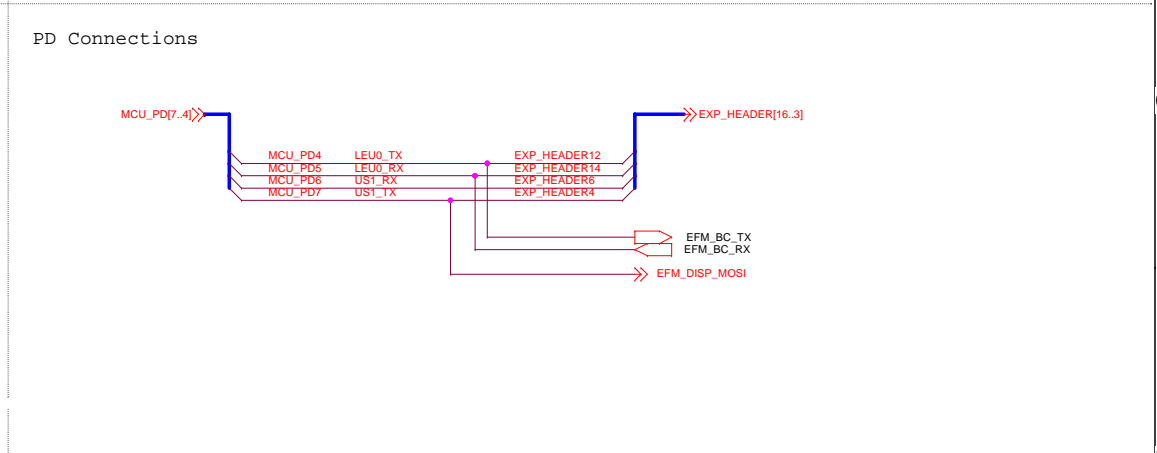
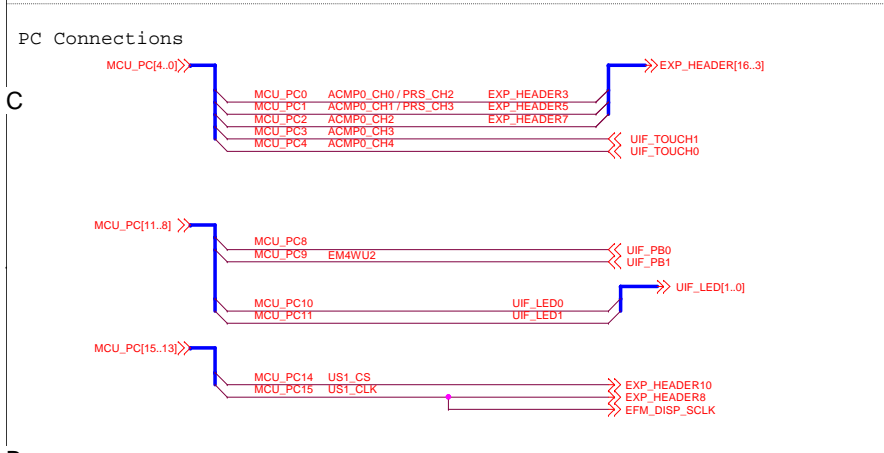
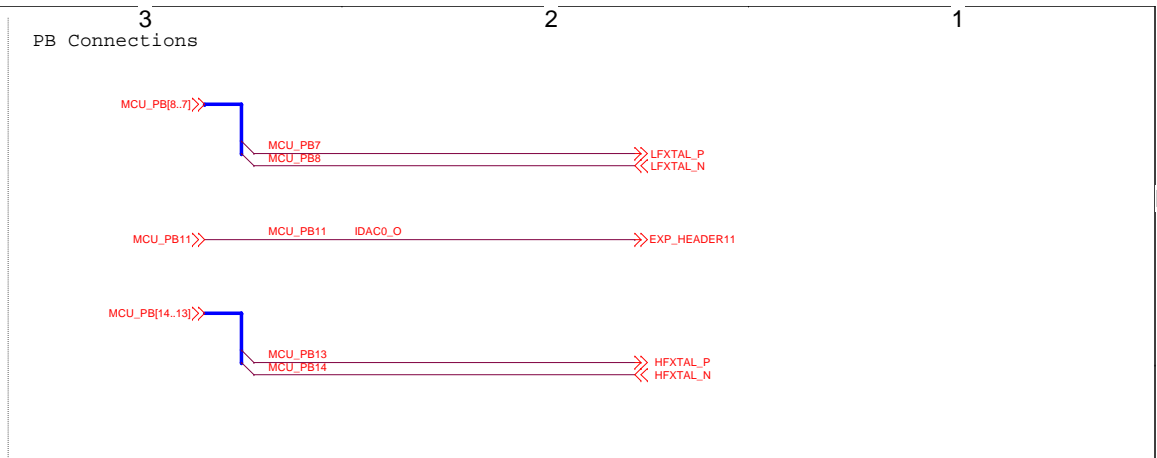
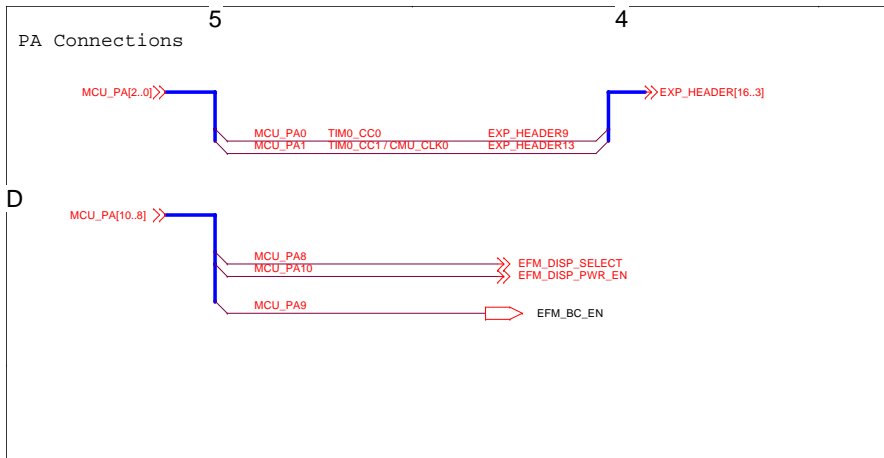


User LEDs

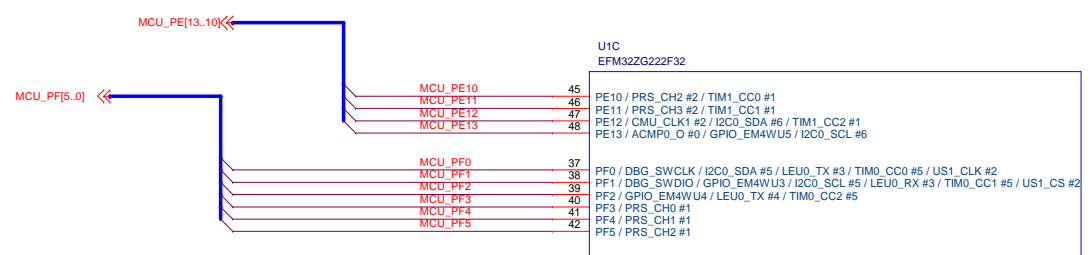
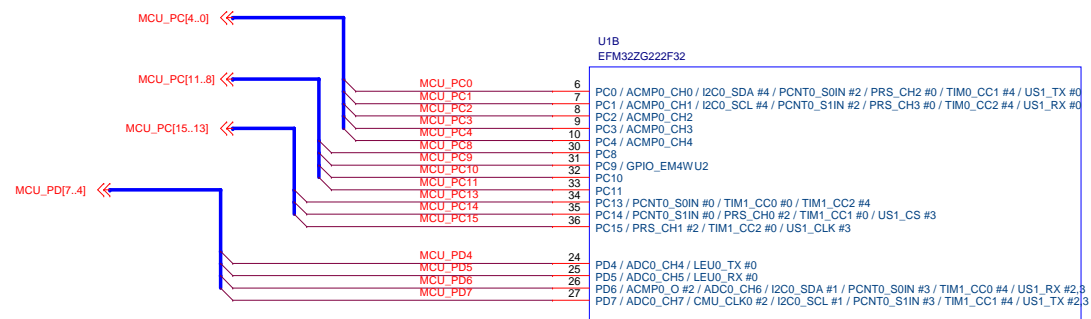
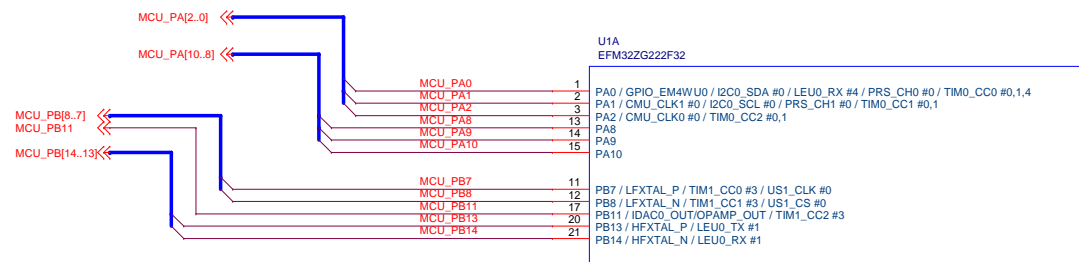



Target MCU Interface

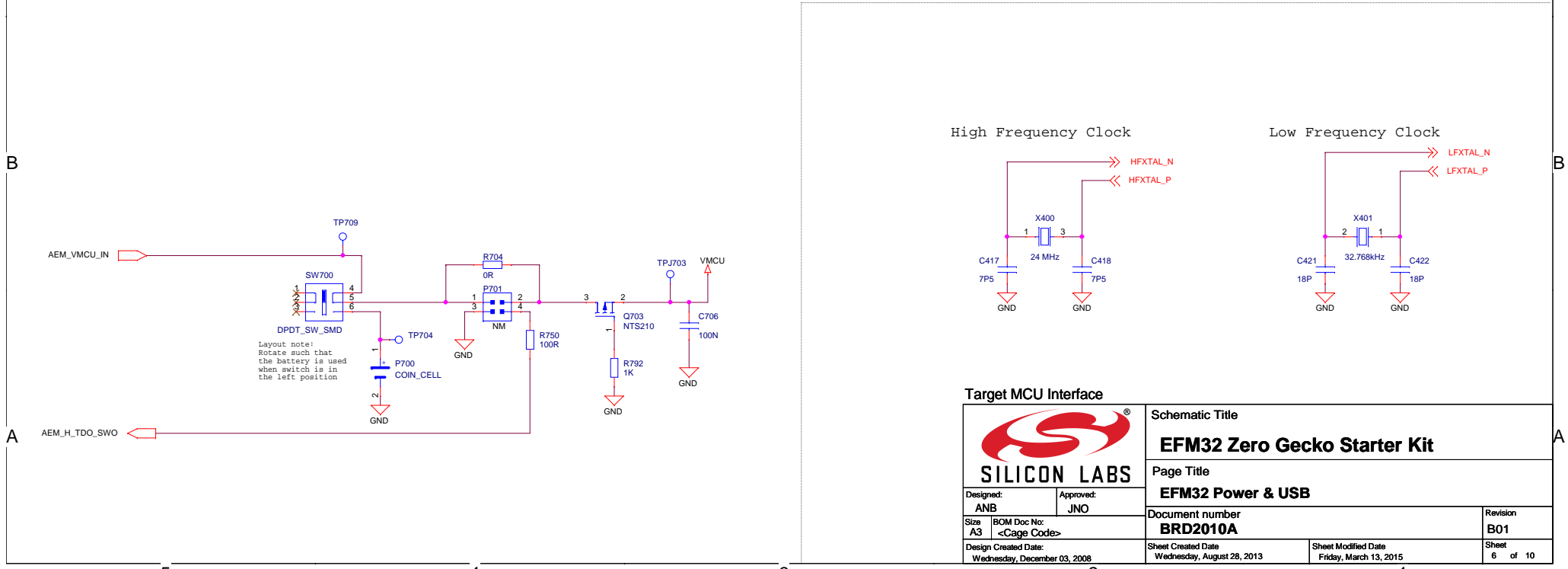
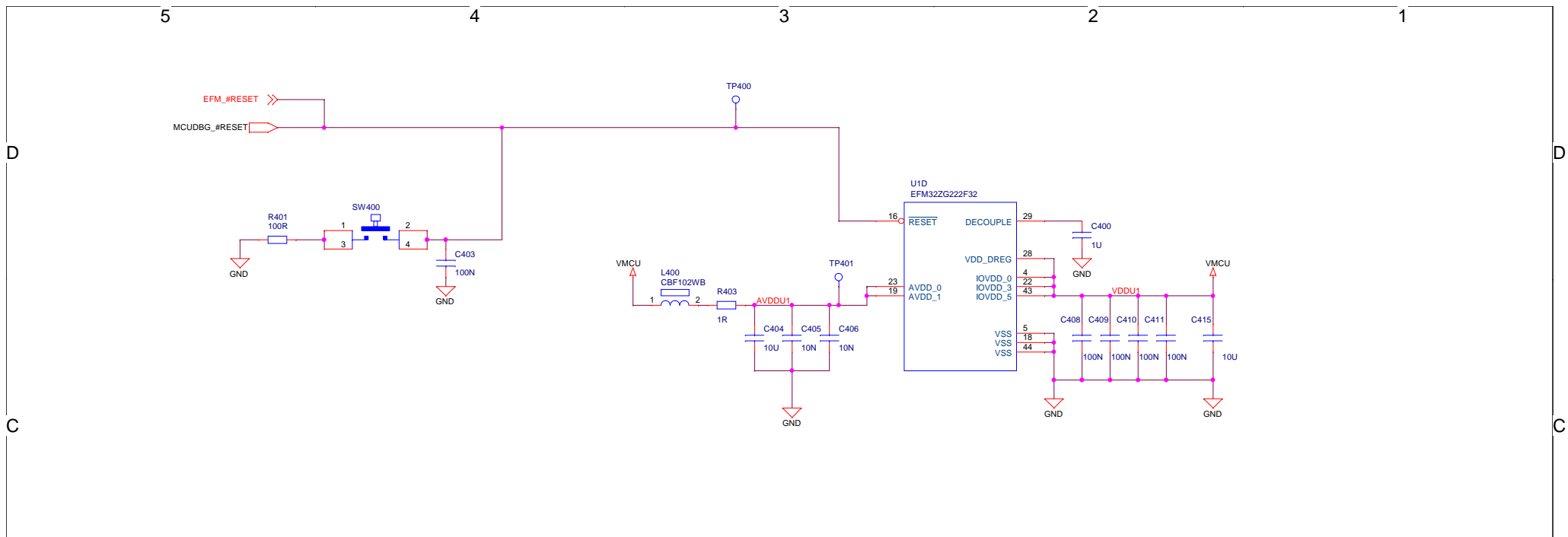
		Schematic Title	
		EFM32 Zero Gecko Starter Kit	
Designed: ANB Approved: JNO		Page Title	
		User Interfaces	
Size A3	BOM Doc No:	Document number	Revision
		BRD2010A	B01
Design Created Date:	Sheet Created Date:	Sheet Modified Date:	Sheet
Wednesday, December 03, 2008	Wednesday, August 28, 2013	Friday, March 13, 2015	3 of 10



		Schematic Title	
		EFM32 Zero Gecko Starter Kit	
SILICON LABS		Page Title	
		Signal Assignments	
Designed: ANB	Approved: JNO	Document number	
Size A3	BOM Doc No: <Cage Code>	BRD2010A	
Design Created Date: Wednesday, December 03, 2008		Sheet Created Date Wednesday, August 28, 2013	Sheet Modified Date Friday, March 13, 2015
		Revision	Sheet
		B01	4 of 10




		Schematic Title	
		EFM32 Zero Gecko Starter Kit	
Designed: ANB Approved: JNO		Page Title	
		EFM32 I/O	
Size A3	BOM Doc No: <Cage Code>	Document number BRD2010A	Revision B01
Design Created Date: Wednesday, December 03, 2008	Sheet Created Date Wednesday, August 28, 2013	Sheet Modified Date Friday, March 13, 2015	Sheet 5 of 10



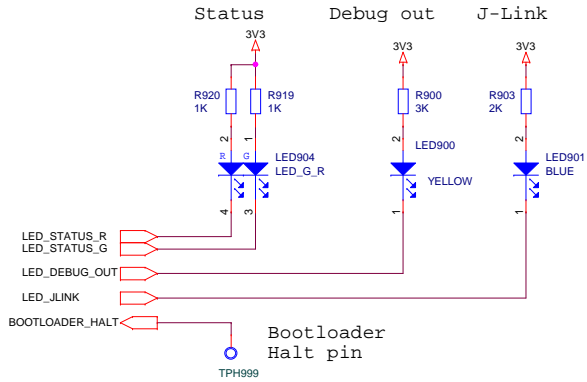
High Frequency Clock

Low Frequency Clock

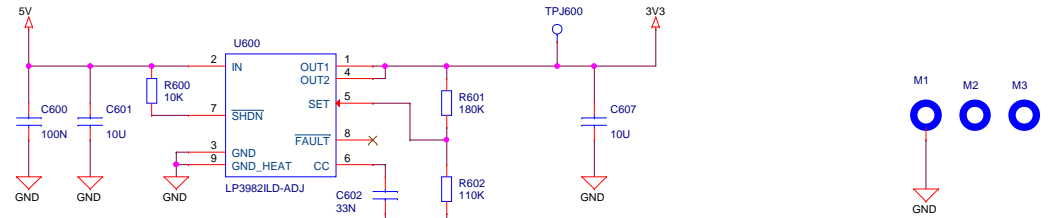
Target MCU Interface

		Schematic Title	
		EFM32 Zero Gecko Starter Kit	
Designed: ANB Approved: JNO		Page Title	
		EFM32 Power & USB	
Size A3	BOM Doc No: <Cage Code>	Document number BRD2010A	Revision B01
Design Created Date: Wednesday, December 03, 2008	Sheet Created Date Wednesday, August 28, 2013	Sheet Modified Date Friday, March 13, 2015	Sheet 6 of 10

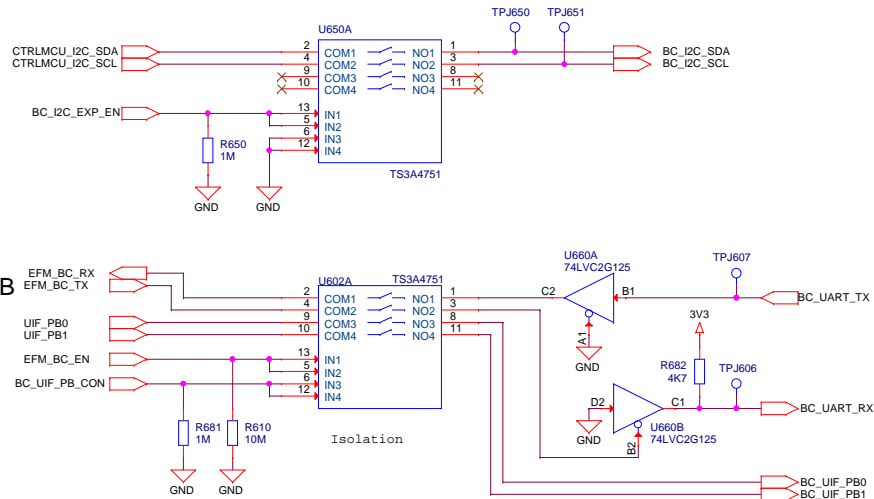
Indicators:



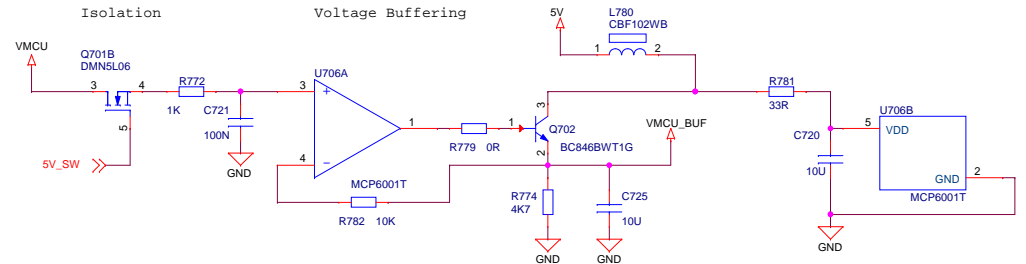
3V3 Regulator



Voltage Domain Isolation & Level Shift



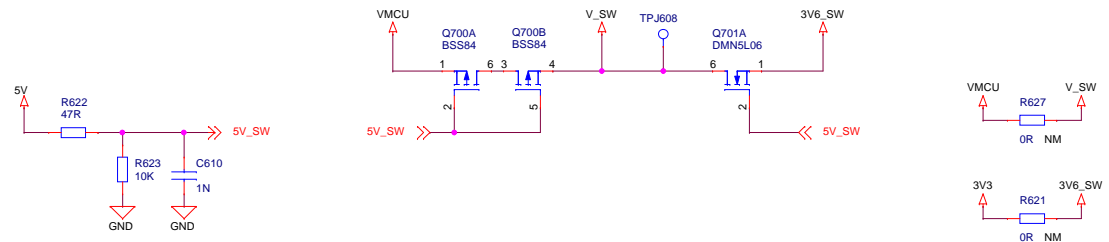
VMCU Voltage Mirror



Power Supply for Analog Switches

The USB VBUS voltage is used to bias these transistors, turning the P-Channel MOSFETs (Q700) off, and the N-Channel MOSFETs (Q701) on.

J-Link USB Cable	PMOS State	NMOS State	V_SW	VMCU_SENSE
Connected	Off	ON	3.6V	VMCU
Disconnected	ON	OFF	VMCU	Isolated



Starter Kit Common

		Schematic Title	
		EFM32 Zero Gecko Starter Kit	
Designed: DDB Approved: JNO		Page Title	
		Power & Misc	
Size A3	BOM Doc No: <Cage Code>	Document number	Revision
Design Created Date: Wednesday, June 12, 2013		BRD2010A	B01
	Sheet Created Date: Tuesday, June 18, 2013	Sheet Modified Date: Friday, March 13, 2015	Sheet 7 of 10

D

C

B

A

5

4

3

2

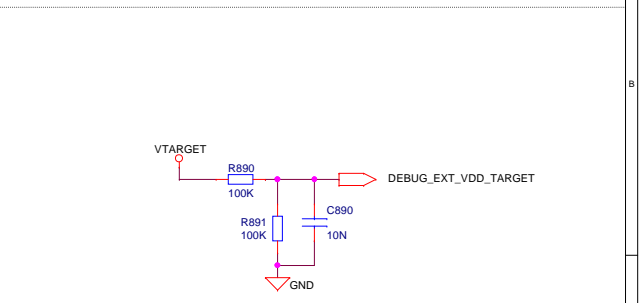
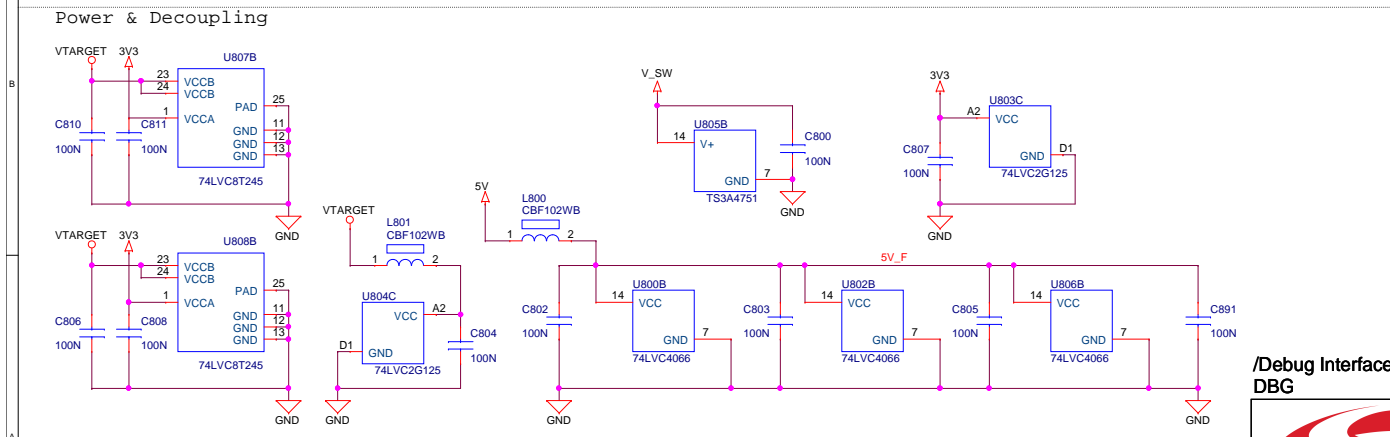
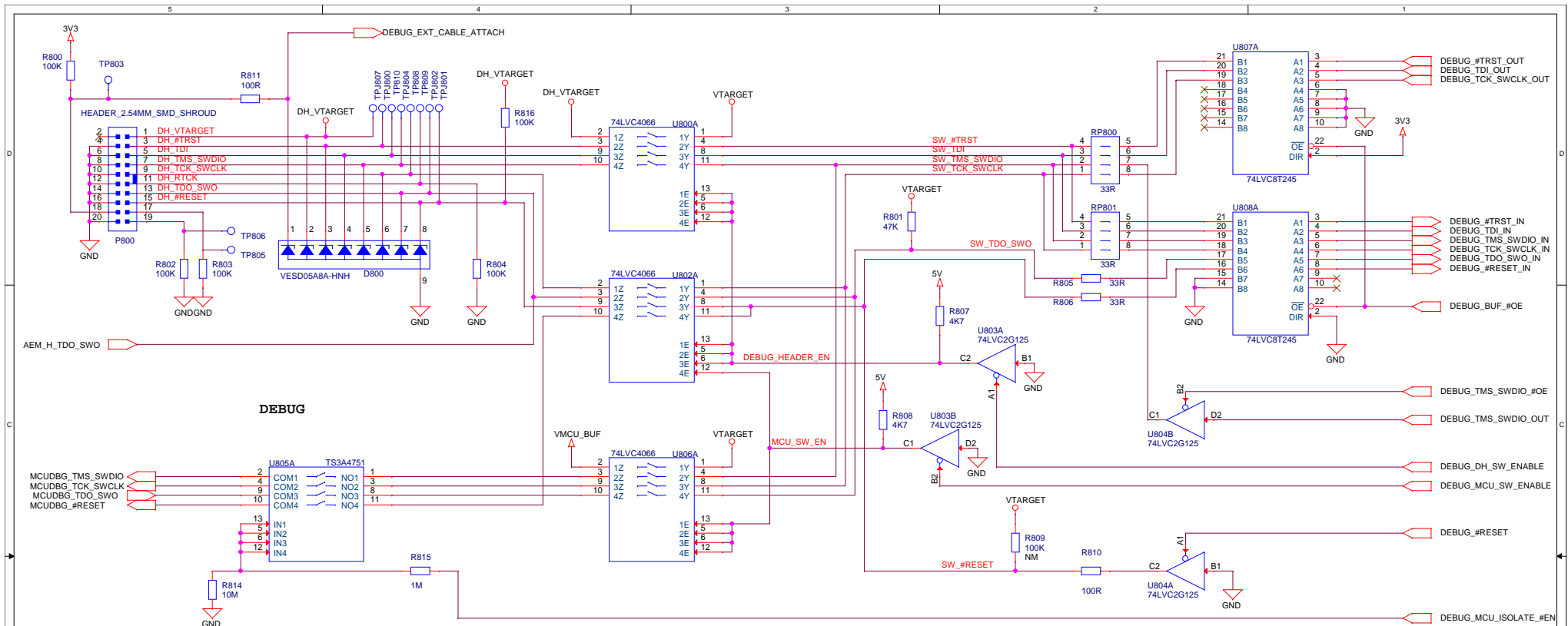
1

D

C

B

A



Mode	DEBUG_MCU_SW_ENABLE	DEBUG_DH_SW_ENABLE	DEBUG_BUF_#OE	ISOLATE_#EN	DH_VTARGET	VTARGET
Debug Out	0	1	0	0	External voltage	External voltage
MCU Debug	1	0	0	1	Disconnected	VMCU
Debug In	1	1	1	1	VMCU	VMCU
Debug Off	1	1	1	0	-	-

/Debug Interface
DBG

Schematic Title
EFM32 Zero Gecko Starter Kit

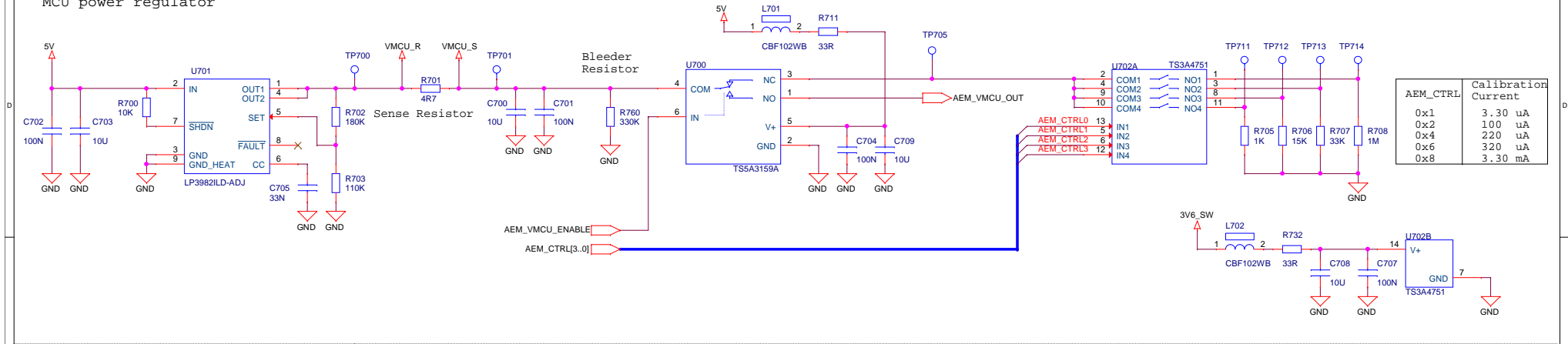
Page Title
Debug Interface

Document number
BRD2010A

Revision
B01

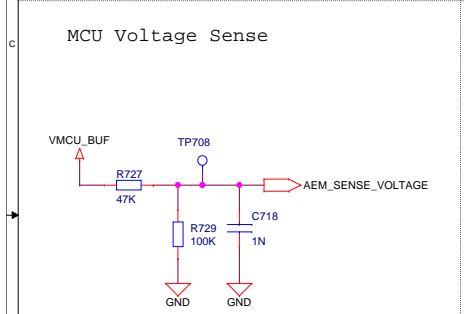
Designed: <OrgAddr1>	Approved: <OrgAddr2>	Sheet Created Date Monday, August 12, 2013	Sheet Modified Date Friday, March 13, 2015
Size A3	BOM Doc No: <Cage Code>	Sheet 8 of 10	

MCU power regulator

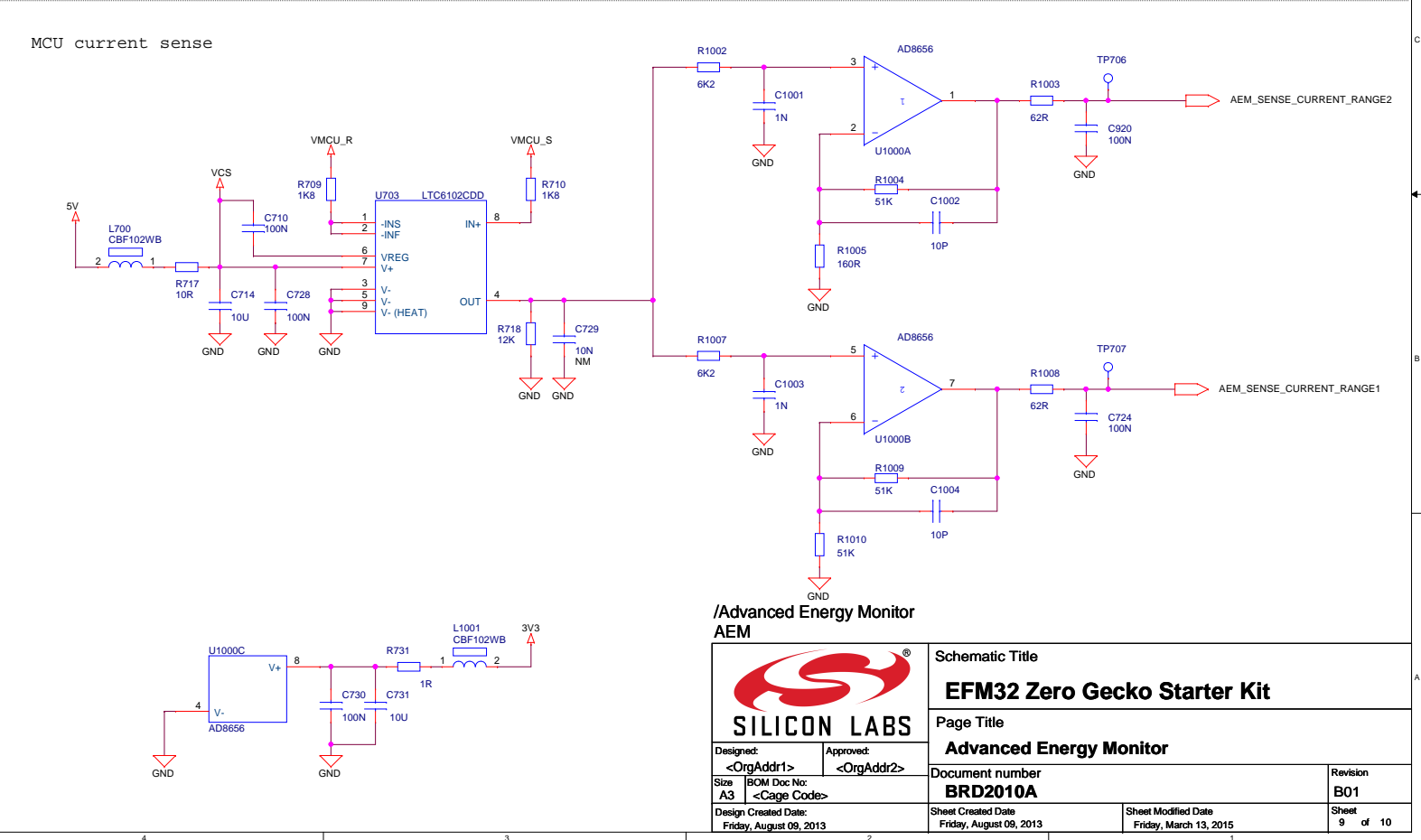


AEM_CTRL	Calibration Current
0x1	3.30 uA
0x2	100 uA
0x4	220 uA
0x6	320 uA
0x8	3.30 mA


MCU Voltage Sense



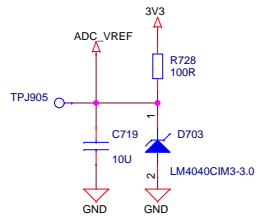
MCU current sense



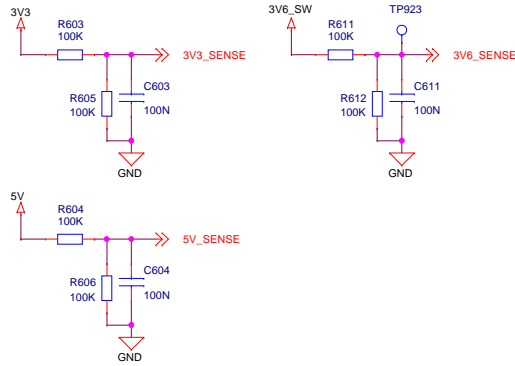
/Advanced Energy Monitor
AEM

		Schematic Title	
		EFM32 Zero Gecko Starter Kit	
Designed: <OrgAddr1> Size: A3 Design Created Date: Friday, August 09, 2013		Page Title	
		Advanced Energy Monitor	
Approved: <OrgAddr2> BOM Doc No: <Cage Code>		Document number	
		BRD2010A	
Sheet Created Date: Friday, August 09, 2013		Sheet Modified Date: Friday, March 13, 2015	
Sheet 9 of 10		Revision: B01	

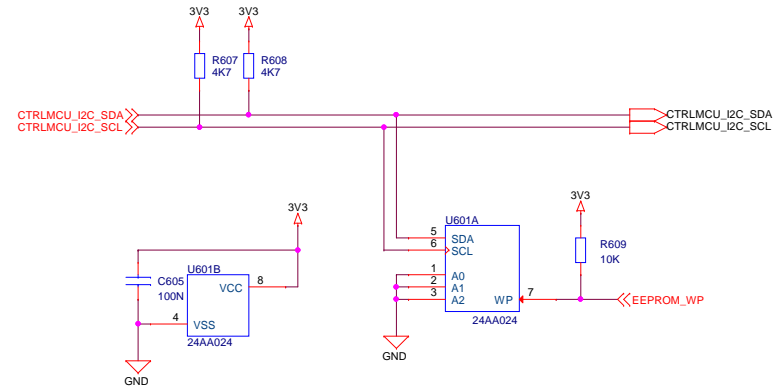
ADC reference voltage



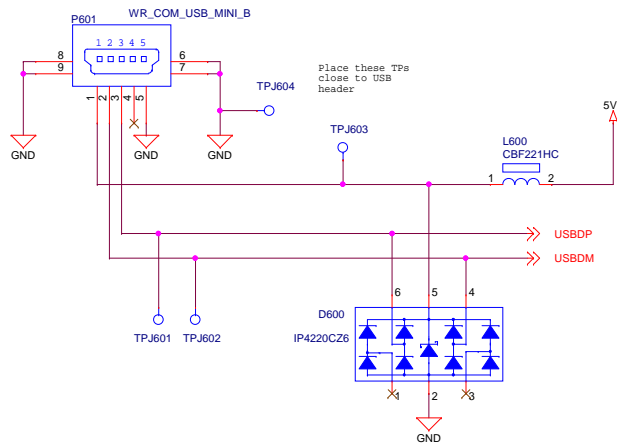
POWER SENSE



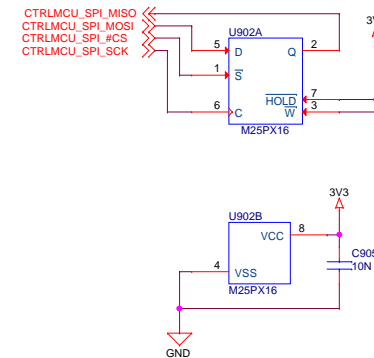
CTRLMCU EEPROM



J-Link USB Port



CTRLMCU SERIAL FLASH



/Board Controller
BOARD CONTROLLER

		Schematic Title	
		EFM32 Zero Gecko Starter Kit	
		Page Title	
		Board Controller Misc	
Designed: ANB	Approved: JNO	Document number	
Size A3	BOM Doc No: <Cage Code>	BRD2010A	
Design Created Date: Wednesday, June 12, 2013	Sheet Created Date Wednesday, June 12, 2013	Sheet Modified Date Friday, March 13, 2015	Sheet 10 of 10