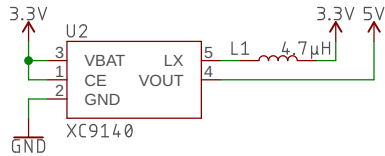
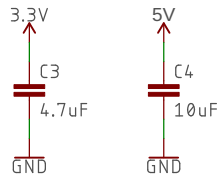


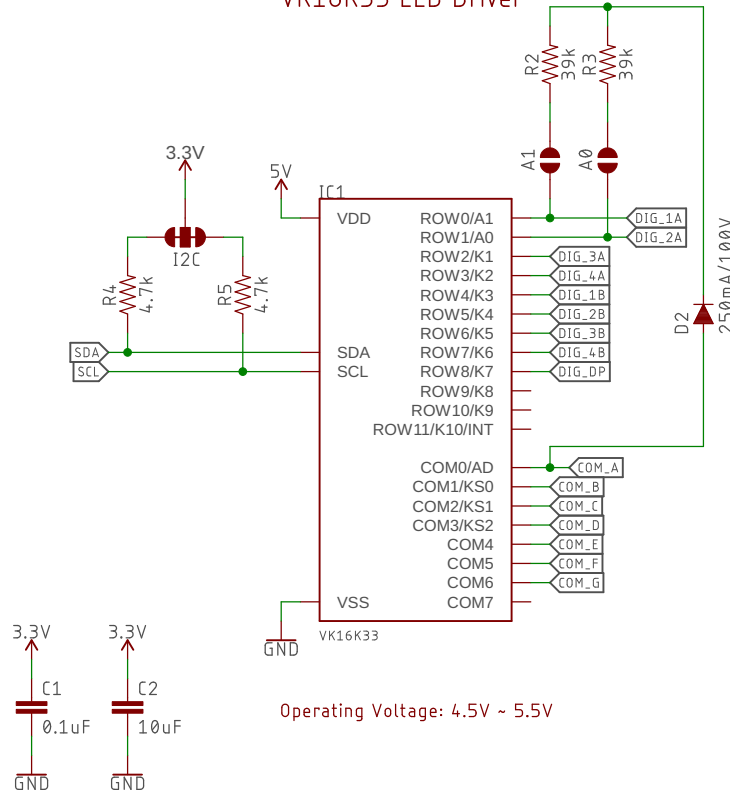
3.3V to 5V boost circuit



VCC Range: 0.7V ~ 5.5V



VK16K33 LED Driver

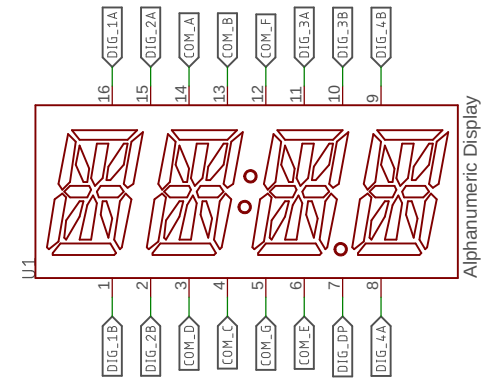


Operating Voltage: 4.5V ~ 5.5V

Default address: 0x70
 When no jumpers are closed
 Floating pin (A0/A1) = Open
 Connected to AD = Closed

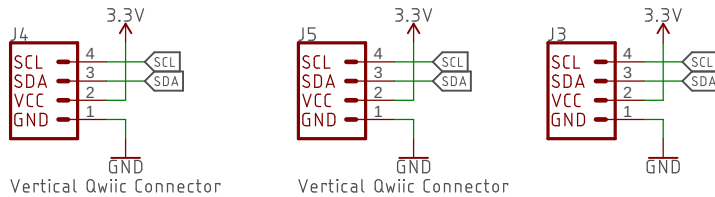
A1	A0	Address
Open	Open	0x70
Open	Closed	0x71
Closed	Open	0x72
Closed	Closed	0x73

Alphanumeric Display



Forward Voltage: 2.7V ~ 3.6V

I2C Connections



Released under the Creative Commons Attribution Share-Alike 4.0 License
<https://creativecommons.org/licenses/by-sa/4.0/>



TITLE: Qwiic_Alphanumeric_Display

Design by: Priyanka Makin

REV: v10

Date: 10/5/2021 3:16 PM

Sheet: 1/1