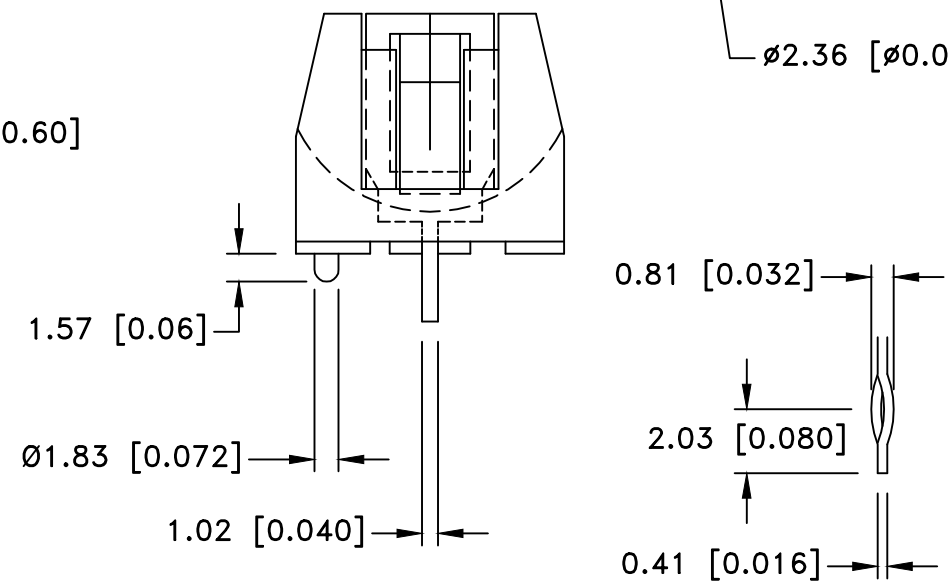
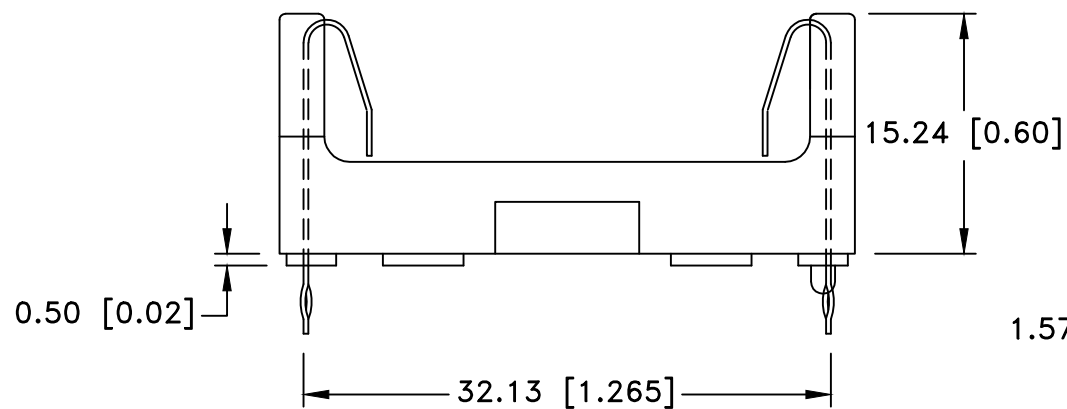
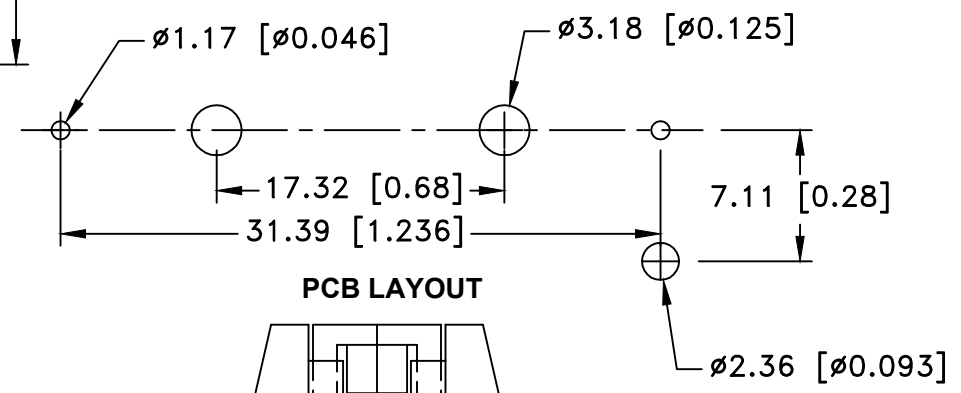



Date	SYM	REVISION RECORD	AUTH	DR.	CK.
06/30/17	E	DIM. 32.13 WAS 31.70	T.B.	B.S.	
07/22/17	F	UPDATED MOUNTING INSTRUCTION	T.B.	B.S.	
09/08/17	G	REMOVED NOTE "SOLDER DIPPED PCB TAILS"	T.B.	B.S.	



SPECIFICATIONS:
 HOLDER MATERIAL: SELF EXTINGUISHING THERMOPLASTIC, BLACK PBT
 FLAMMABILITY RATING: UL94V-0, FILE #E53829
 CONTACTS: 302 SPRING TEMPER STAINLESS STEEL, NICKEL PLATED OVERALL
 DIELECTRIC STRENGTH: 560 VOLTS/MIL AT 25°C FOR 5 SEC.
 TEMPERATURE RANGE: -55°C TO +180°C
 RESISTANCE TO SOLVENTS: XYLENE, ETHYL, BUTYL, METHYL, PROPYL ALCOHOL, ETHYL ACETATE, HEPTANE, TOLUENE, REFRIGERANT

ROHS 2 COMPLIANT

Mounting Instruction:
 Use 2-56 machine screws or eyelets 0.089" OD by 0.15" flange stimpson GS-3 series or equivalent. also adhesives and double sided tapes work well.

Tolerance (Except as noted)	 Memory Protection Devices, Inc 200 Broad Hollow Road, Farmingdale, New York 11735			
	decimal ±.5 (.020)		Scale	Drawn By B.S. Approved By T.B.
Fractional ± .8 (.030)	Title CR2 BATTERY HOLDER, PCB MOUNTING			
Angular ± 3°	Date 09/08/17	Drawing Number BH-CR2-PC		